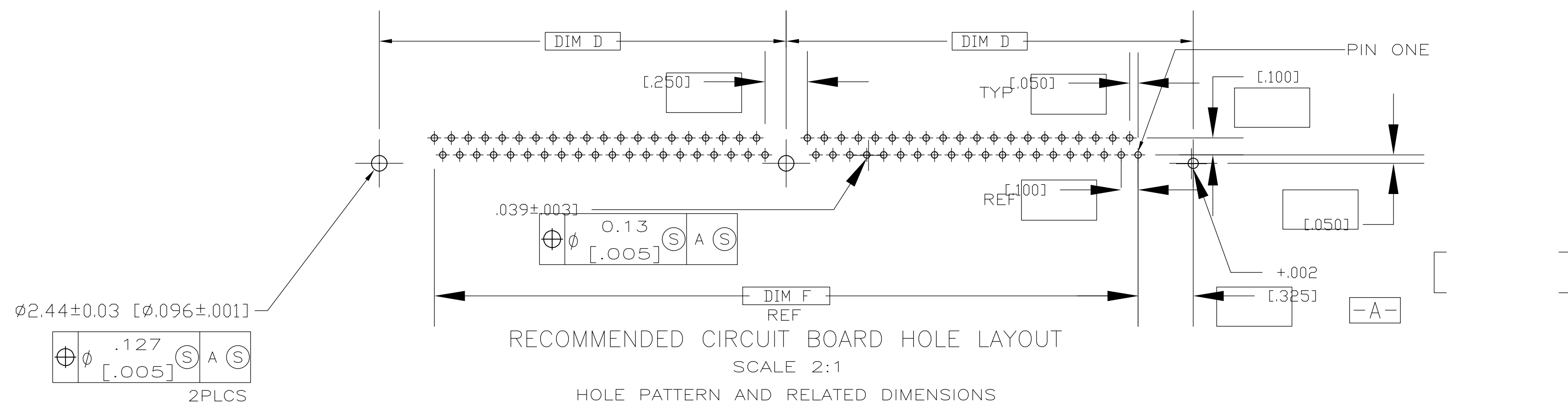


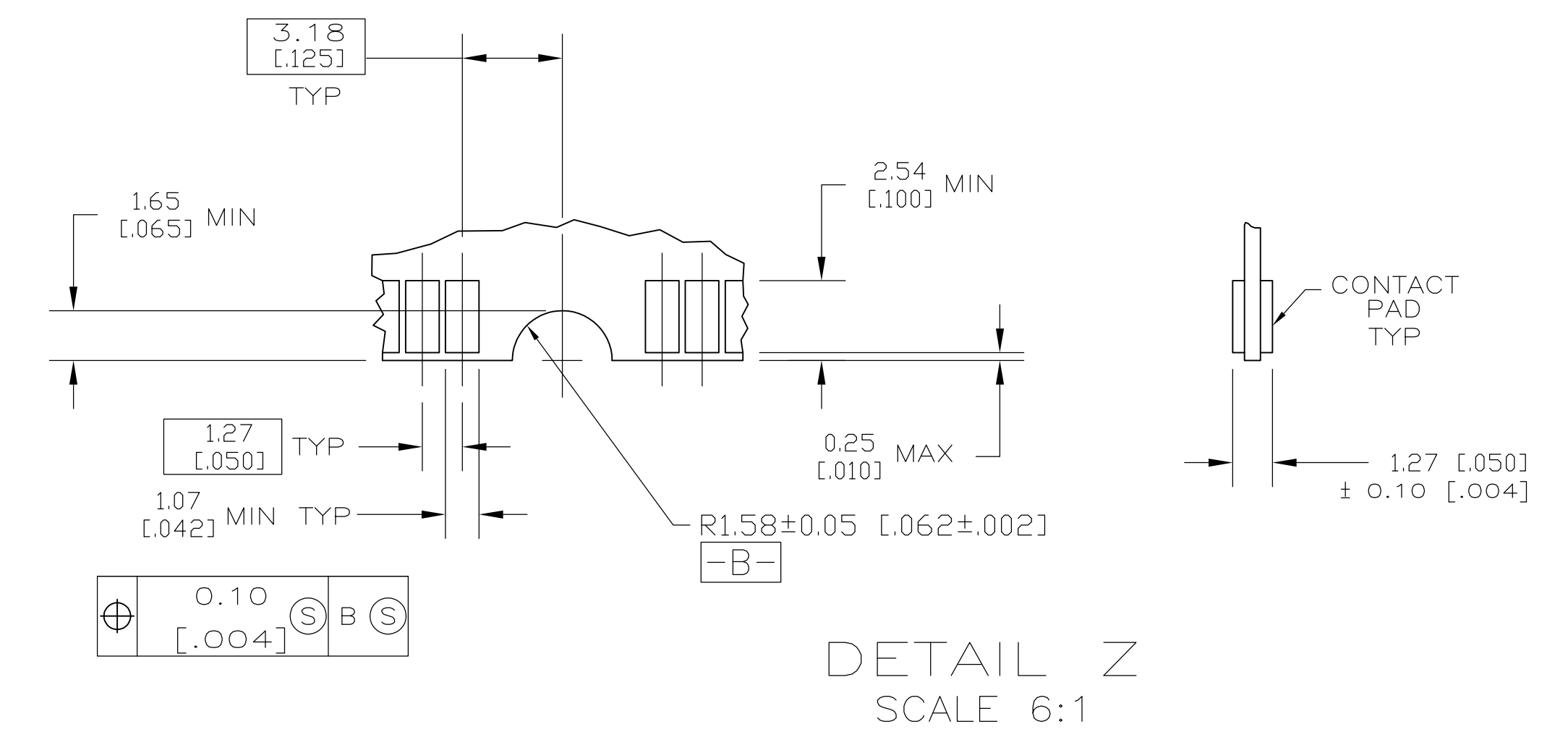
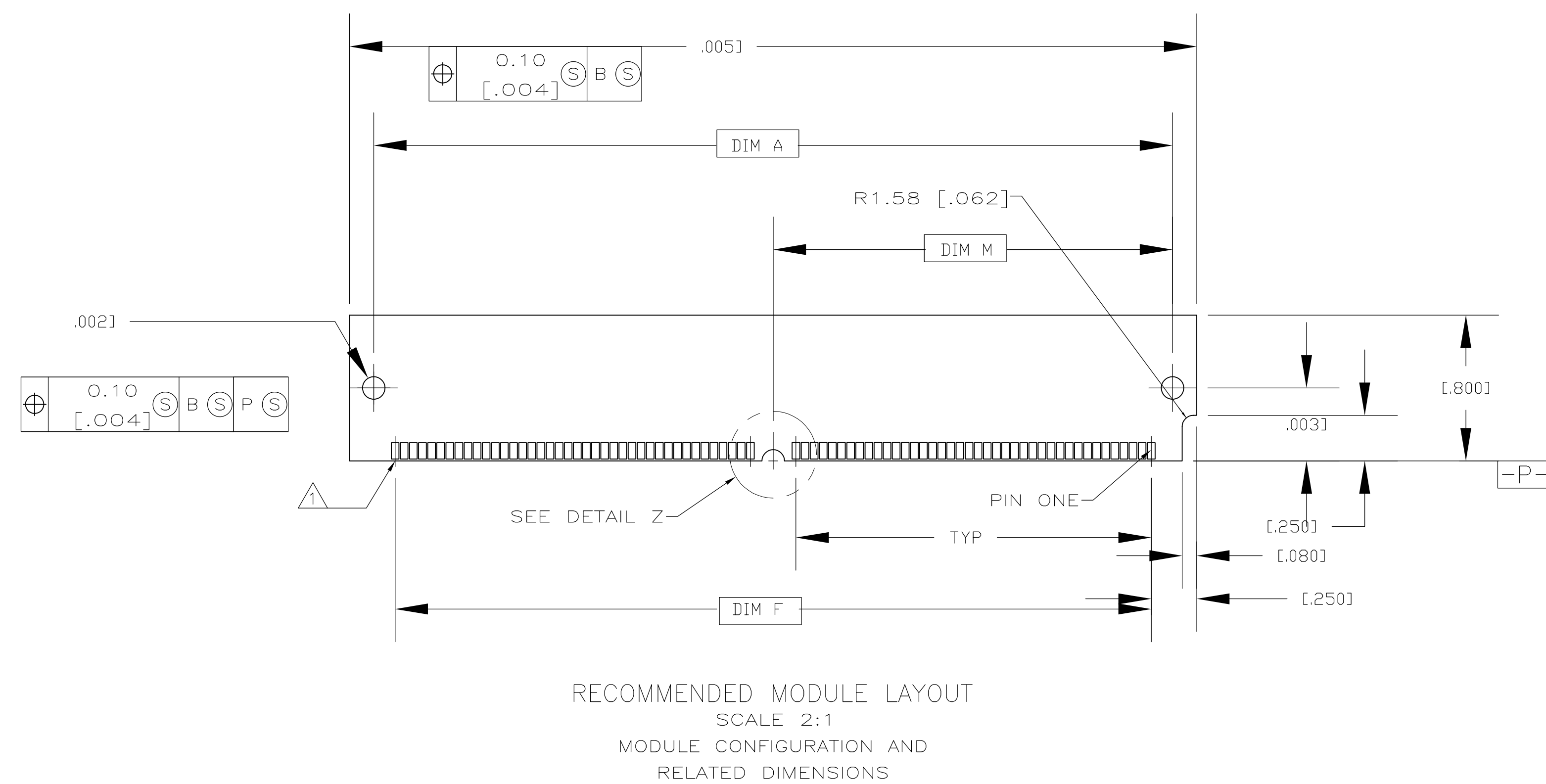
SECTION W-W  
SCALE 8:1

THIS DRAWING IS A CONTROLLED DOCUMENT.		DWN: WENKE HE 29MARG	 TE Connectivity
DIMENSIONS: mm(INCHES)		CHK: STEVEN YAO 29MARG	
0 PLC ± - 1 PLC ± - 2 PLC ± - 3 PLC ± 0.13(.005) 4 PLC ± - ANGLES ± -		APVD: TIENOMOTO 29MARG NAME: SIMM II, RTANG, 1.27 [.050] ASSY, 6.35 [.250] HGT	
MATERIAL: HSG:GLASS REINF LCP (BLACK) CONTACT: PHOS BRONZ		FINISH: 2	APPLICATION SPEC: - WEIGHT: - SIZE: A1 CAGE CODE: 00779 DRAWING NO: C=5382487 SCALE: 8:1 SHEET: 1 OF 2 REV: B2



△ FOR OPTIMUM PERFORMANCE, CONTACT PAD PLATING SHOULD BE SMOOTH AND FLAT. COPPER CONTACT PADS ARE TO BE OVERPLATED WITH .00127[.000050] MIN THK NICKEL FOLLOWED WITH .00101[.000040] MIN THK GOLD PLATING.

△ CONTACT MATING AREA:  
 0.00076 [.000030] MIN THICK GOLD.  
 SOLDER TAIL: 0.00005 [.000002] MIN. THK GOLD.  
 UNDERPLATE: 0.00127 [.000050] MIN. THK NICKEL OVER ENTIRE CONTACT.



OBSOLETE	58.22 [2.292]	127.00 [5.000]	110.49 [4.350]	123.19 [4.850]	63.50 [2.500]	52.07 [2.050]	130.81 [5.150]	116.43 [4.584]	84	8-5382487-4
	50.60 [1.992]	111.76 [4.400]	95.25 [3.750]	107.95 [4.250]	55.88 [2.200]	44.45 [1.750]	115.57 [4.550]	101.19 [3.984]	72	7-5382487-2
OBSOLETE	48.06 [1.892]	106.68 [4.200]	90.17 [3.550]	102.87 [4.050]	53.34 [2.100]	41.91 [1.650]	110.49 [4.350]	96.11 [3.784]	68	6-5382487-8
ⓑ	30.28 [1.192]	71.12 [2.800]	54.61 [2.150]	67.31 [2.650]	35.56 [1.400]	24.13 [.950]	74.93 [2.950]	60.55 [2.384]	40	4-5382487-0
	DIM M	DIM J	DIM F	DIM E	DIM D	DIM C	DIM B	DIM A	POSN	

THIS DRAWING IS A CONTROLLED DOCUMENT.

DIMENSIONS:	TOLERANCES UNLESS OTHERWISE SPECIFIED:	DWN	29MAR05
		CHK	29MAR05
		APVD	29MAR05
		NAME	
		PRODUCT SPEC	
		APPLICATION SPEC	
		WEIGHT	
MATERIAL	FINISH	CUSTOMER DRAWING	

STE TE Connectivity

SIMM II, RTANG,  
1.27 [.050] ASSY,  
6.35 [.250] HGT

SIZE: A1 CAGE CODE: 00779 DRAWING NO: 5382487

SCALE: 4:1 SHEET 2 OF 2 REV B2