

1 0 1 0 4 9 9 9 - X 0 E - X X X L F

8-COLUMN DIFFERENTIAL SIGNAL

LEAD-FREE DESIGNATION ONLY WITH APPLICABLE PLATING CODES

LETTER	PERFORMANCE-BASED PLATING (SEE NOTE 2)	
	TARGET APPLICATION	LEAD FREE (LF)
B	TELCORDIA CO	NO
C	TELCORDIA UE	NO
D	TELCORDIA CO	YES
E	TELCORDIA UE	YES

NUMBER	PIN STYLE, HEIGHT
0	STANDARD GUIDE PIN MACHINED, 31.6mm

MODULE DESCRIPTION	LETTER DESIGNATION REPRESENTED IN DASH NUMBER										BASE MODULE
LEFT POLARIZING GUIDANCE MODULE (SEE SHEET 3)	J	A	B	C	D	E	F	G	H		
RIGHT POLARIZING GUIDANCE MODULE (SEE SHEET 4)	Y	P	Q	R	S	T	U	V	W		
OPEN MODULE (TWO WALL) (SEE SHEET 2)	0 (ZERO)										
LEFT WALL MODULE (SEE SHEET 5)	L										
RIGHT WALL MODULE (SEE SHEET 6)	M										
FOUR WALL MODULE (SEE SHEET 7)	1										

NUMBER	CONTACT MATING WIPE LENGTH		COMPLIANT PIN DRILL SIZE
	SIGNAL	WIDE GROUND	
1	2	4	Ø0.55 [0.0217"]
2	3	4	Ø0.55 [0.0217"]
3	2	4	Ø0.45 [0.0177"]
4	3	4	Ø0.45 [0.0177"]
5	2	3	Ø0.55 [0.0217"]
6	3	3	Ø0.55 [0.0217"]
7	2	3	Ø0.45 [0.0177"]
8	3	3	Ø0.45 [0.0177"]

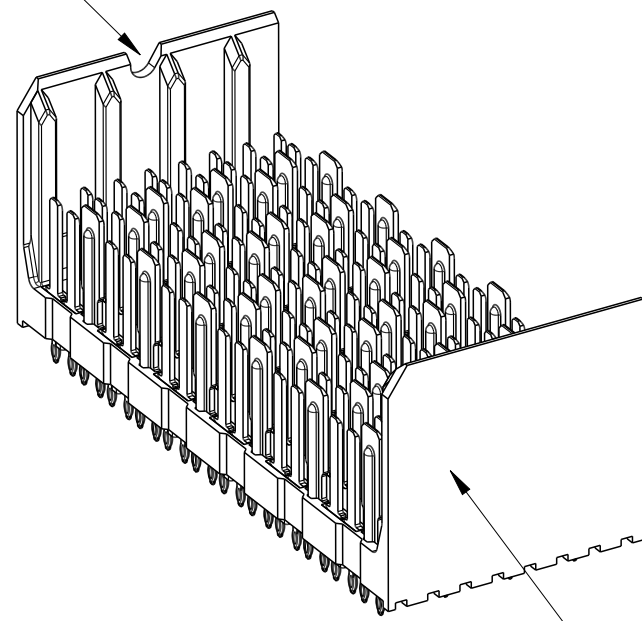
	GROUNDED	UNGROUNDED
FINISHED	Ø2.35-2.55	Ø2.35-2.55
PAD	Ø5.50	N/A
PLATED	YES	NO
DRILL (mm/in)	2.58 / .1015	2.44 / .096

SCREW P/N	DESCRIPTION	BOARD THICKNESS
10091790-002LF	#2-56 X .375" PHILLIPS PANHEAD W/SQ CONICAL WASHER	1.60 - 5.00
10091790-003LF	#2-56 X .500" PHILLIPS PANHEAD W/SQ CONICAL WASHER	5.00 - 10.00

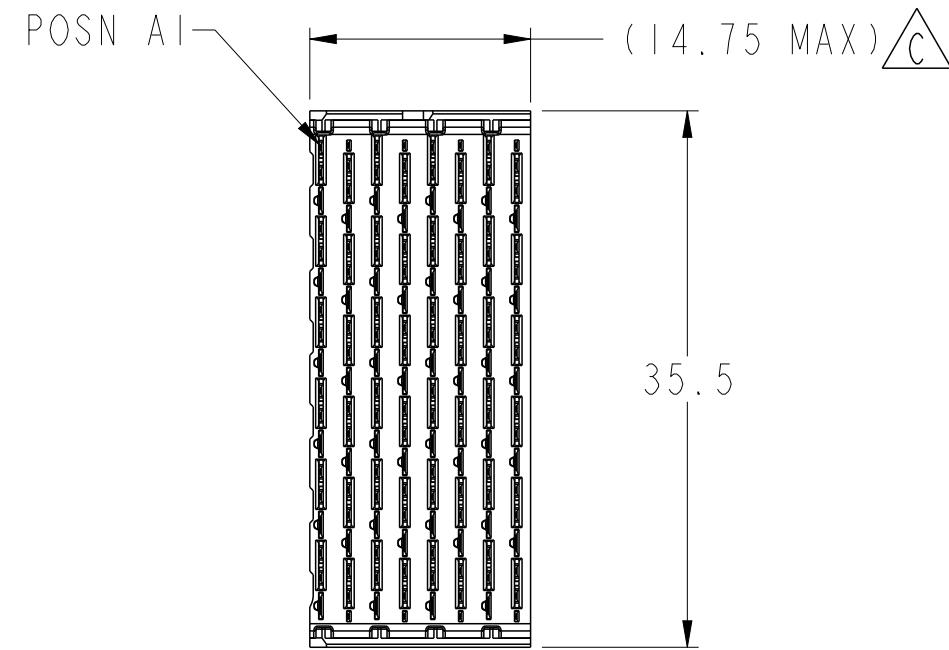
spec ref	SEE NOTES	dr	Kok-Hoe Lee	2010/06/24	projection	MM	size	A2	scale	3:1
tolerance std	TOLERANCES UNLESS OTHERWISE SPECIFIED	eng	Roger Ng	2011/10/20	chr		ecn no	ELX-S-006560-1		
ASME Y14.5		appr	Chen-Hong Tan	2011/11/23	product family		rel level	Released		
surface	linear	0.X	±0.2							
		0.XX	±0.10							
		0.XXX	±0.050							
ASME Y14.5	angular	0°	±°							
www.fci.com		FCj		MODULE ASSEMBLY		10104999		C		
cat. no.		SEE P/N TREE		Product - Customer Draw		sheet 1 of 8				

OPEN (2-WALL) MODULE

SEE NOTE 8

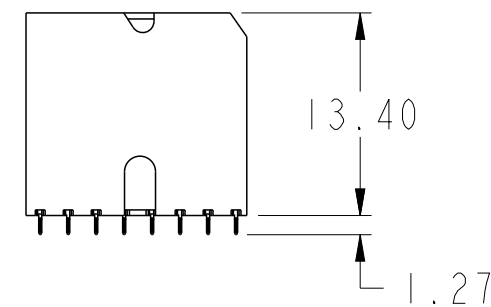
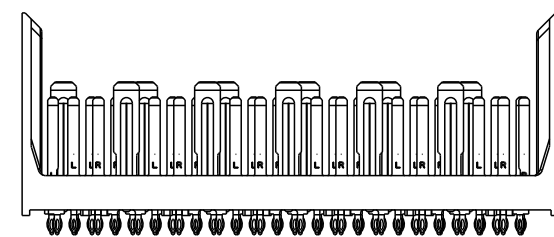
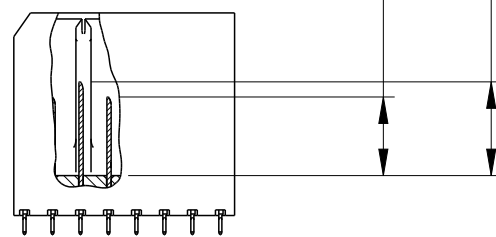


SEE NOTE 5

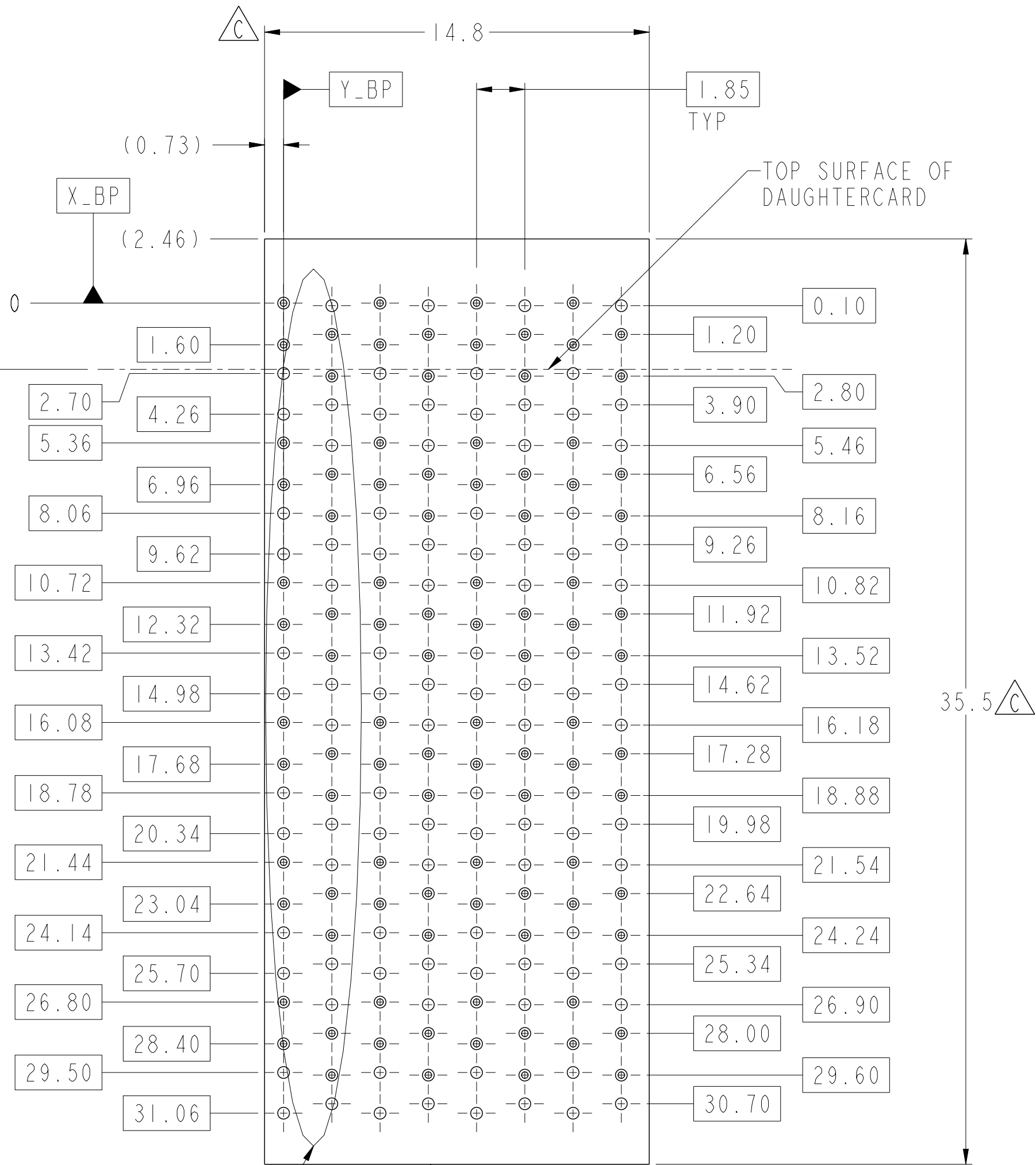


- 6.2 (4MM WIPE WIDE GROUNDS)
- 5.2 (3MM WIPE WIDE GROUNDS)
- 5.2 (3MM SMALL END GROUNDS)
- 5.2 (3MM WIPE SIGNALS)
- 4.2 (2MM WIPE SIGNALS)

(SEE P/N TREE FOR ALL COMBINATIONS AVAILABLE)



2.54
TO TOP SURFACE
OF DAUGHTERCARD



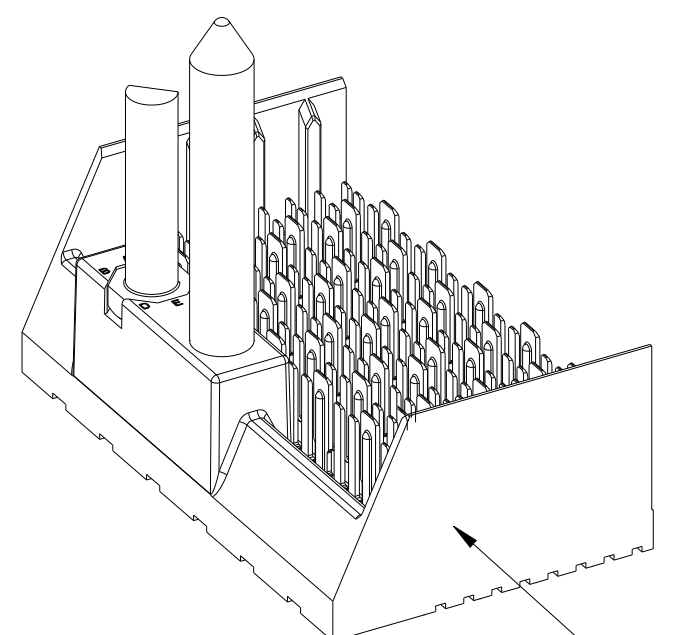
SEE DETAIL A
(SHEET 8)

NOMINAL MODULE OUTLINE

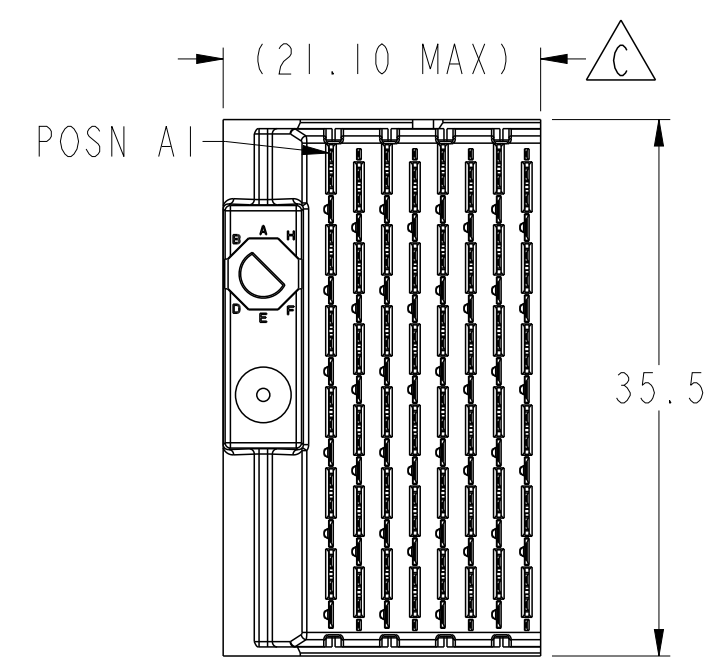
PCB HOLE PATTERN
COMPONENT SIDE
SCALE 6:1

spec ref	SEE NOTES	dr	Kok-Hoe Lee	2010/06/24	projection	MM	size	A2	scale	3:1									
tolerance std	TOLERANCES UNLESS OTHERWISE SPECIFIED	eng	Roger Ng	2011/10/20			ecn no	ELX-S-006560-1	rel level	Blue									
ASME Y14.5		chr																	
surface	<table border="1"> <tr> <td>linear</td> <td>0.X</td> <td>±0.2</td> </tr> <tr> <td></td> <td>0.XX</td> <td>±0.10</td> </tr> <tr> <td></td> <td>0.XXX</td> <td>±0.050</td> </tr> </table>	linear	0.X	±0.2		0.XX	±0.10		0.XXX	±0.050	appr	Chen-Hong Tan	2011/11/23	product family		dwg no	10104999	rev	C
linear	0.X	±0.2																	
	0.XX	±0.10																	
	0.XXX	±0.050																	
ASME Y14.5	angular	0°	±°	www.fci.com	cat. no.	SEE P/N TREE	Product - Customer Drw	sheet 2 of 8											

LEFT POLARIZING/GUIDE MODULE

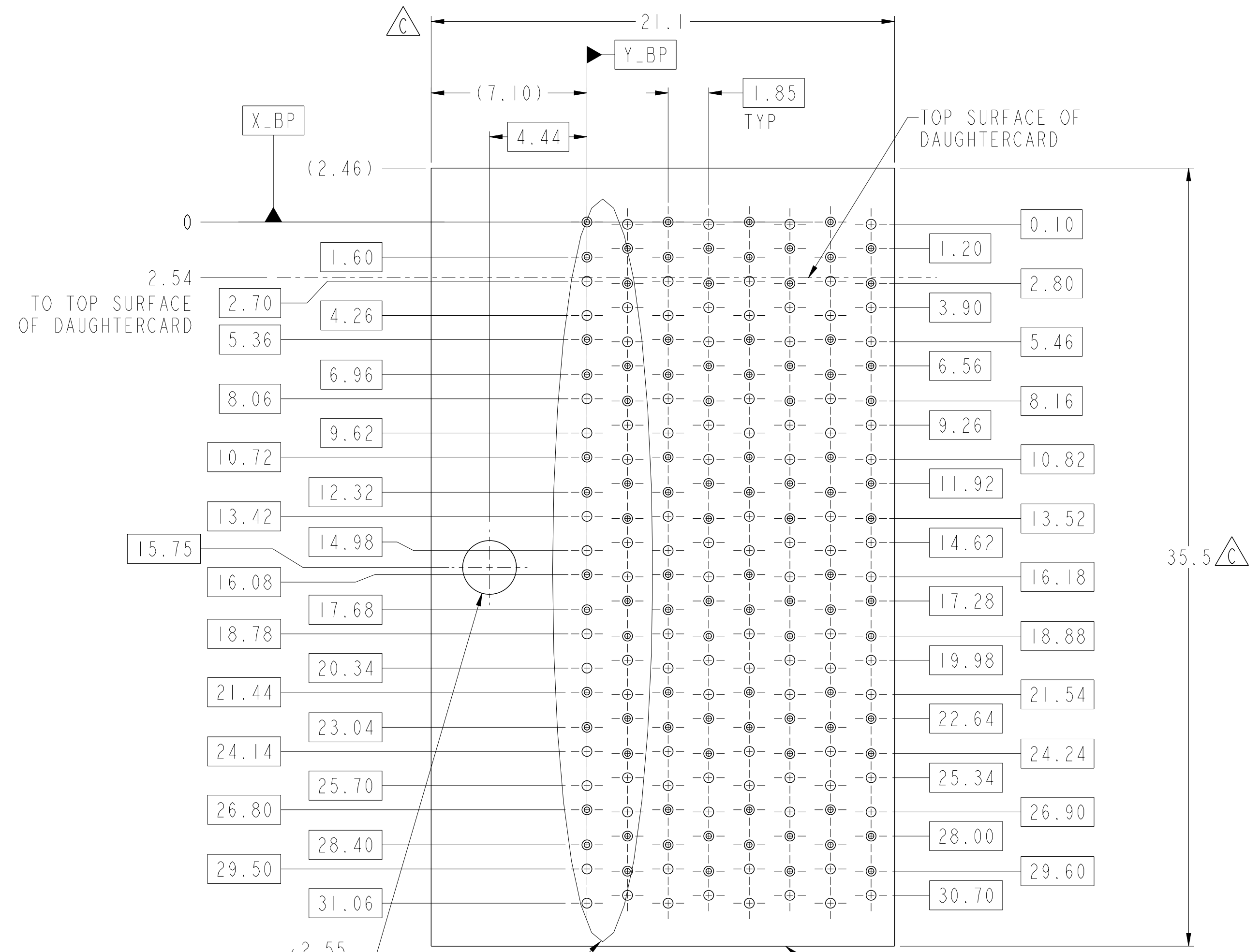
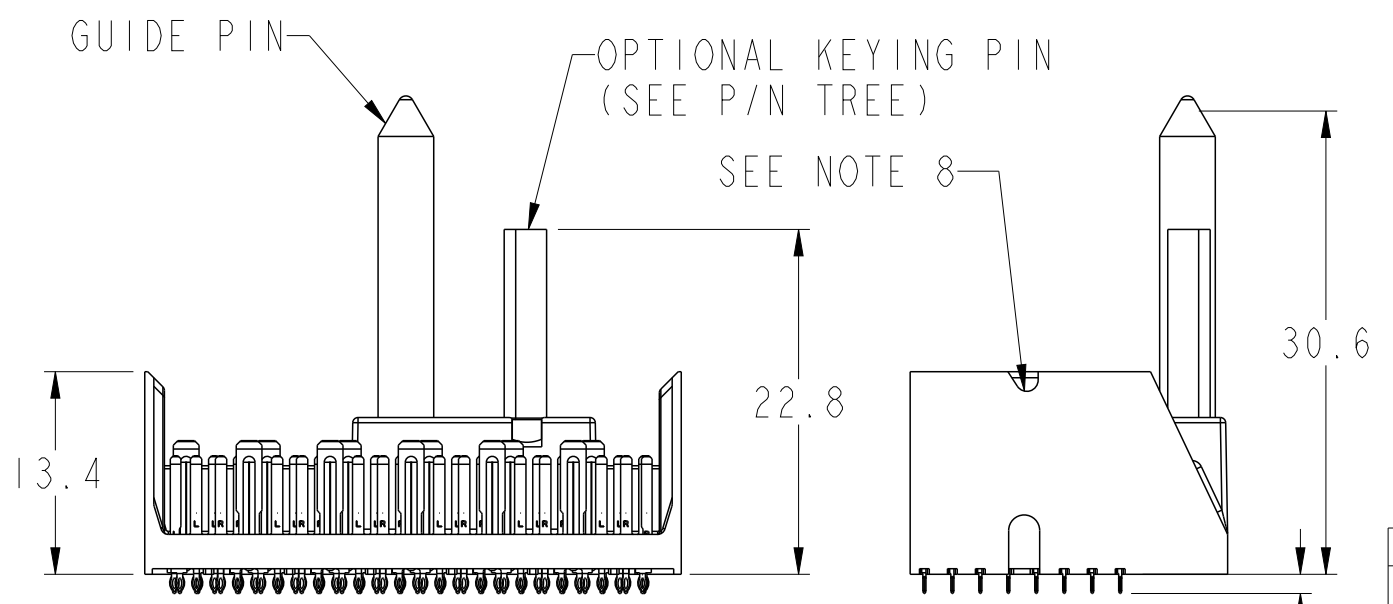
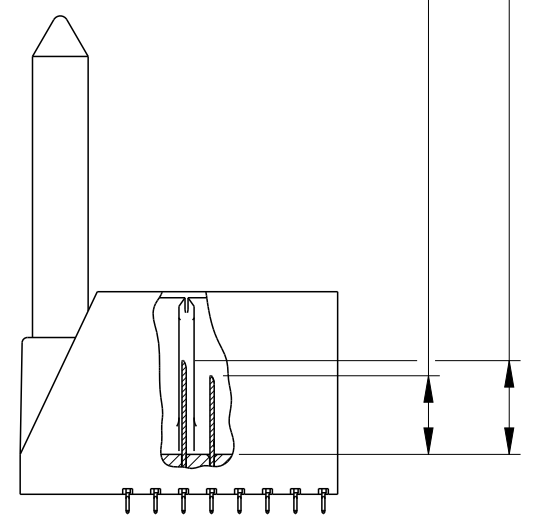


SEE NOTE 5



- 6.2 (4MM WIPE WIDE GROUNDS)
- 5.2 (3MM WIPE WIDE GROUNDS)
- 5.2 (3MM SMALL END GROUNDS)
- 5.2 (3MM WIPE SIGNALS)
- 4.2 (2MM WIPE SIGNALS)

(SEE P/N TREE FOR ALL COMBINATIONS AVAILABLE)

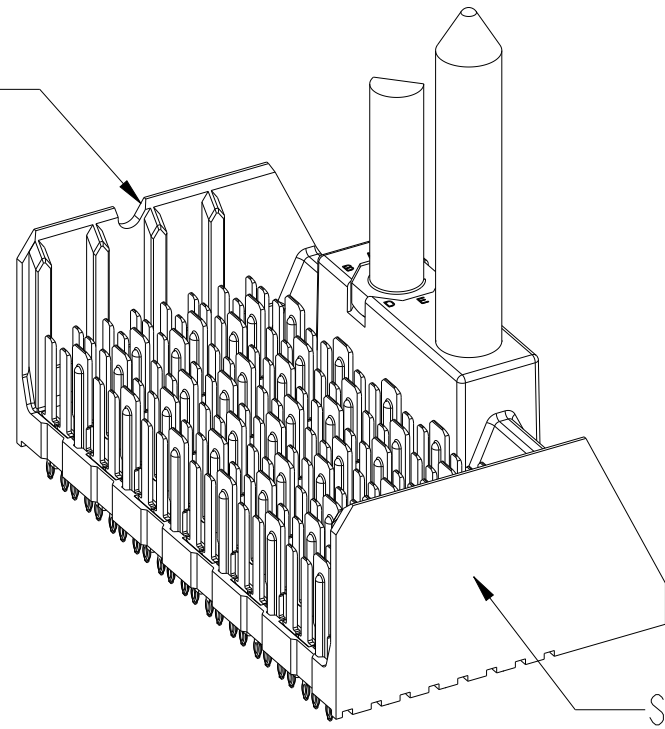


spec ref	SEE NOTES	dr	Kok-Hoe Lee	2010/06/24	projection	MM	size	A2	scale	3:1
tolerance std	TOLERANCES UNLESS OTHERWISE SPECIFIED	eng	Roger Ng	2011/10/20	chr		ecn no	ELX-S-006560-1		
ASME Y14.5		appr	Chen-Hong Tan	2011/11/23	product family		rel level	Released		
surface	linear	0.X	±0.2							
		0.XX	±0.10							
		0.XXX	±0.050							
ASME Y14.5	angular	0°	±							

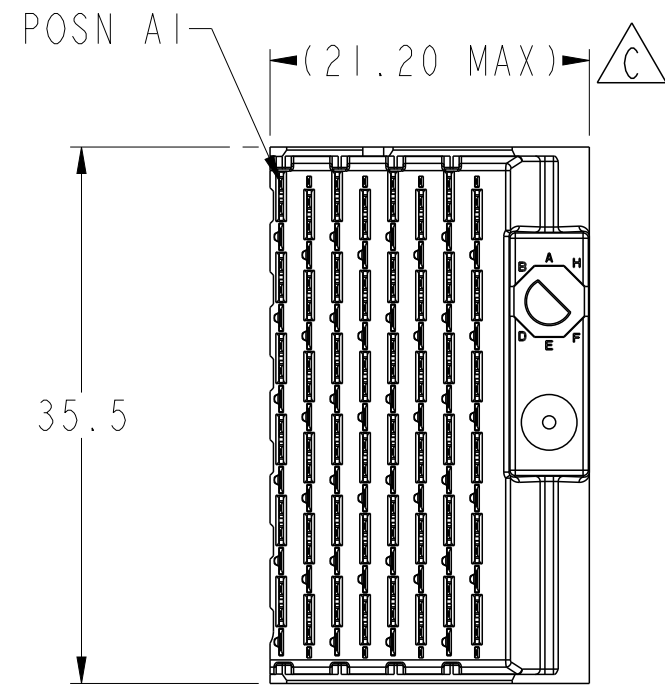
Copyright FCI.

RIGHT POLARIZING/GUIDE MODULE

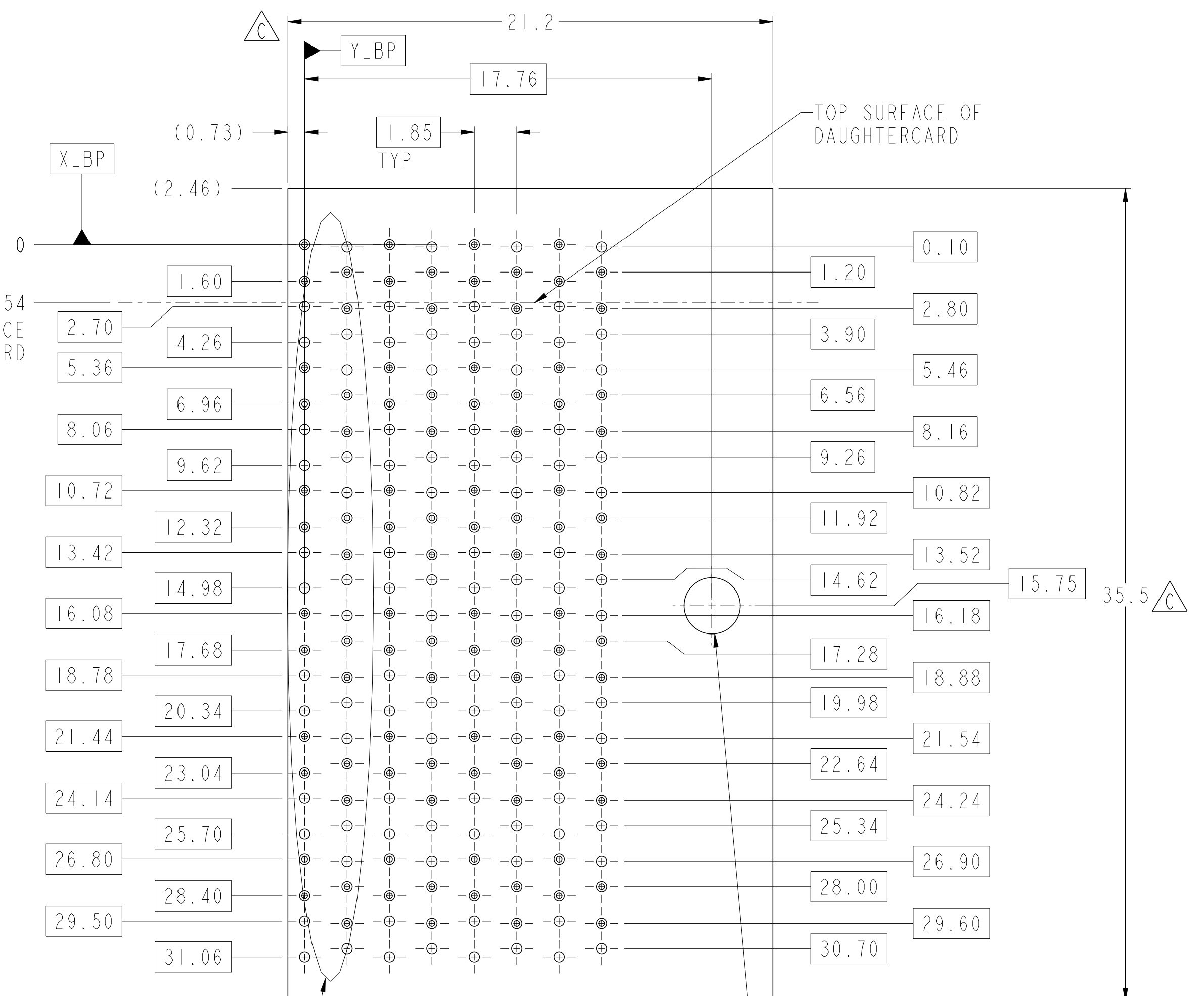
SEE NOTE 8



SEE NOTE 5



2.54
TO TOP SURFACE
OF DAUGHTERCARD



SEE DETAIL A
(SHEET 8)

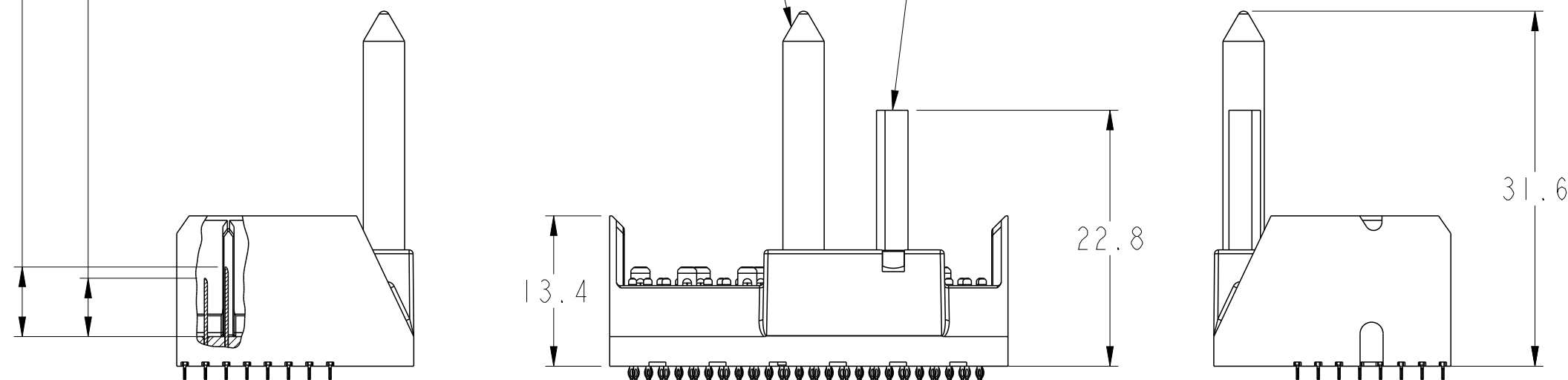
NOMINAL MODULE OUTLINE
PCB HOLE PATTERN
COMPONENT SIDE
SCALE 6:1

Ø 2.55
Ø 2.35
⊕ Ø 0.10 X_BP Y_BP
SEE NOTE 11 & TABLE 1

- 6.2 (4MM WIPE WIDE GROUNDS)
- 5.2 (3MM WIPE WIDE GROUNDS)
- 5.2 (3MM SMALL END GROUNDS)
- 5.2 (3MM WIPE SIGNALS)
- 4.2 (2MM WIPE SIGNALS)

(SEE P/N TREE FOR ALL COMBINATIONS AVAILABLE)

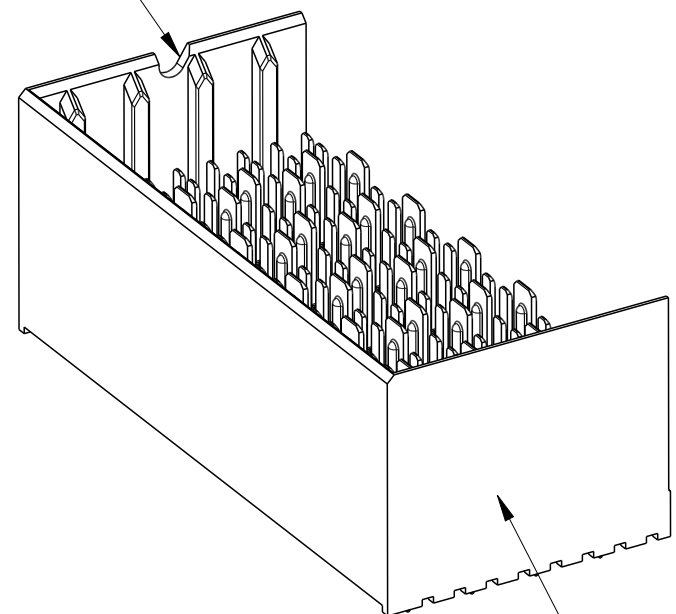
GUIDE PIN
OPTIONAL KEYING PIN
(SEE P/N TREE)



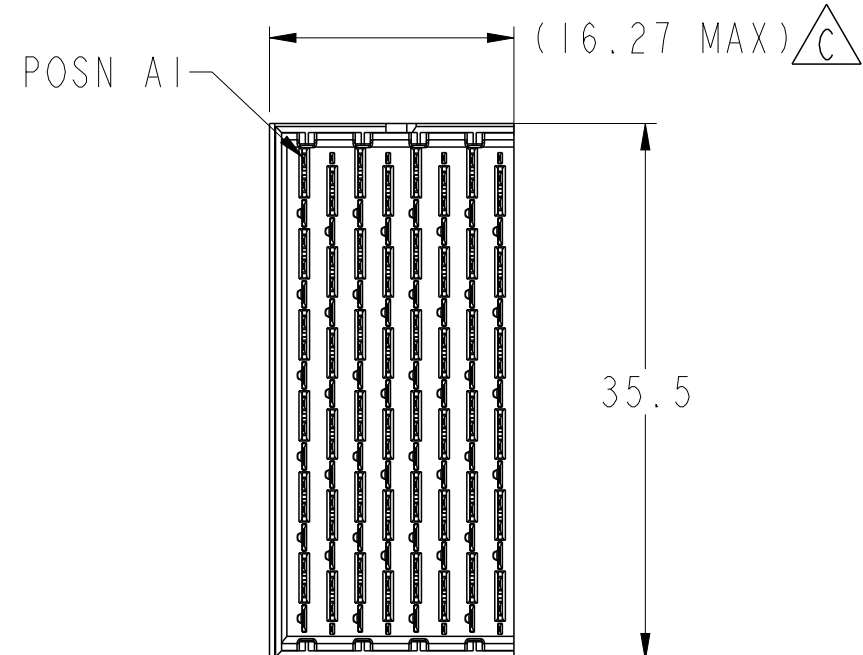
spec ref	SEE NOTES	dr	Kok-Hoe Lee	2010/06/24	projection	MM	size	A2	scale	3:1															
tolerance std	TOLERANCES UNLESS OTHERWISE SPECIFIED	eng	Roger Ng	2011/10/20			ecn no	ELX-S-006560-1	rel level	Released															
ASME Y14.5		chr		2011/11/23							product family														
surface	<table border="1"> <tr> <td>linear</td> <td>0.X</td> <td>±0.2</td> </tr> <tr> <td></td> <td>0.XX</td> <td>±0.10</td> </tr> <tr> <td></td> <td>0.XXX</td> <td>±0.050</td> </tr> <tr> <td>angular</td> <td>0°</td> <td>±°</td> </tr> </table>	linear	0.X	±0.2		0.XX	±0.10		0.XXX	±0.050	angular	0°	±°	appr	Chen-Hong Tan	2011/11/23	product family		rel level		<table border="1"> <tr> <td>dwg no</td> <td>10104999</td> </tr> <tr> <td>rev</td> <td>C</td> </tr> </table>	dwg no	10104999	rev	C
linear	0.X	±0.2																							
	0.XX	±0.10																							
	0.XXX	±0.050																							
angular	0°	±°																							
dwg no	10104999																								
rev	C																								
ASME Y14.5		www.fci.com	cat. no.	SEE P/N TREE	Product - Customer Drw	sheet 4 of 8																			

LEFT WALL MODULE

SEE NOTE 8



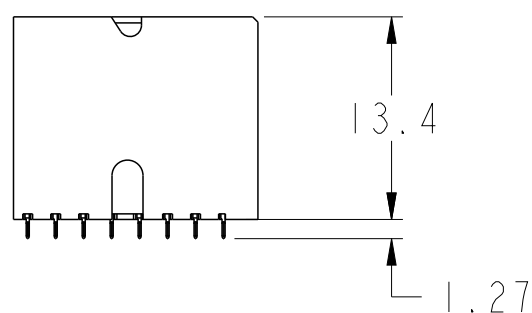
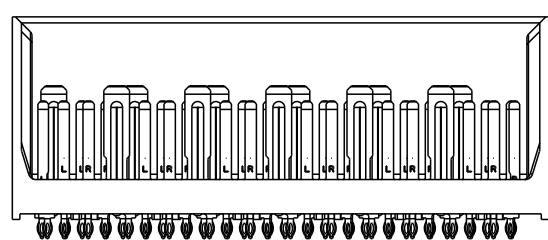
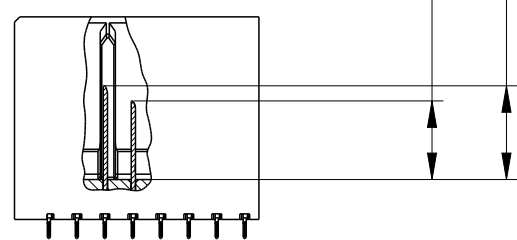
SEE NOTE 5



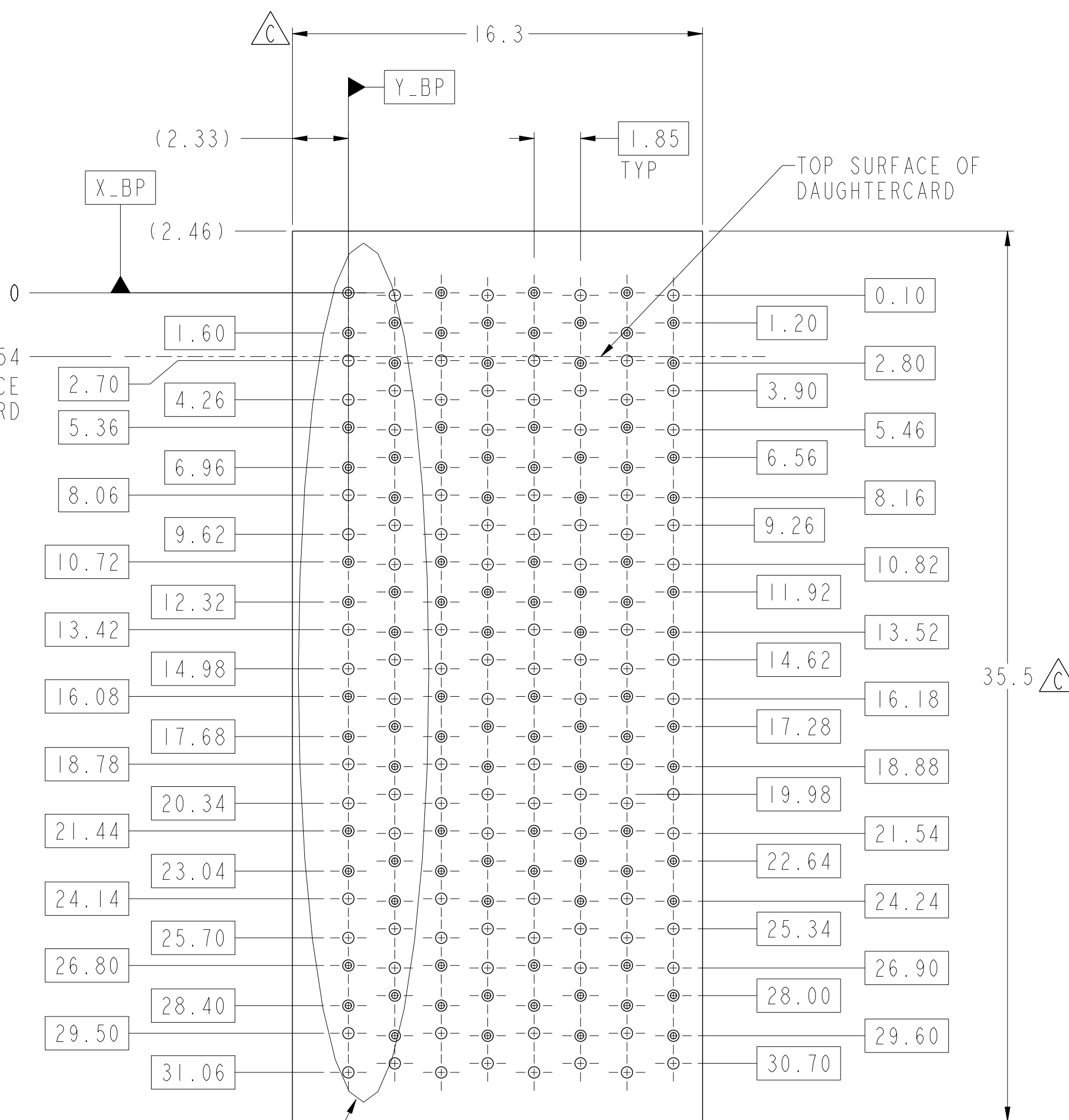
SCALE 2:1

- 6.2 (4MM WIPE WIDE GROUNDS)
- 5.2 (3MM WIPE WIDE GROUNDS)
- 5.2 (3MM SMALL END GROUNDS)
- 5.2 (3MM WIPE SIGNALS)
- 4.2 (2MM WIPE SIGNALS)

(SEE P/N TREE FOR ALL COMBINATIONS AVAILABLE)



2.54
TO TOP SURFACE
OF DAUGHTERCARD



SEE DETAIL A
(SHEET 8)

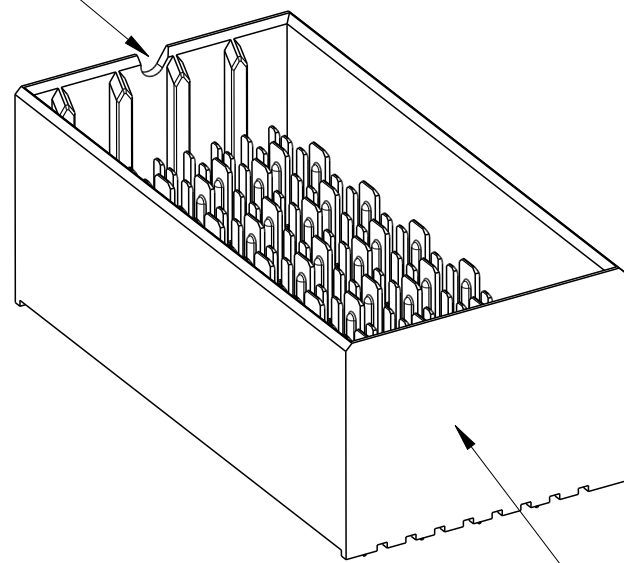
NOMINAL MODULE OUTLINE

PCB HOLE PATTERN
COMPONENT SIDE
SCALE 6:1

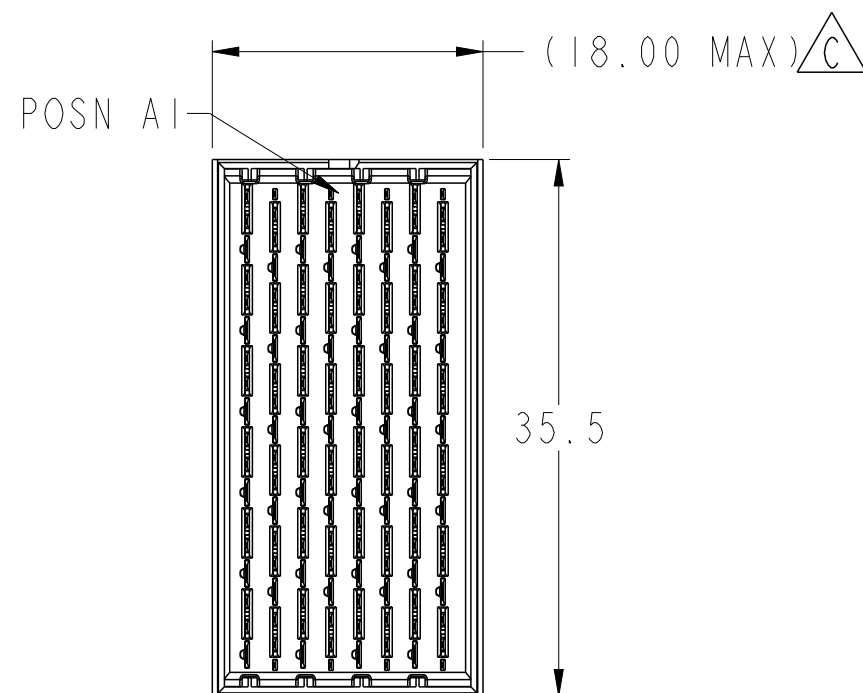
spec ref	SEE NOTES	dr	Kok-Hoe Lee	2010/06/24	projection	MM	size	A2	scale	3:1																		
tolerance std	TOLERANCES UNLESS OTHERWISE SPECIFIED	eng	Roger Ng	2011/10/20			ecn no	ELX-S-006560-1	rel level	Released																		
ASME Y14.5		chr		2011/11/23							product family																	
surface	<table border="1"> <tr> <td>linear</td> <td>0.X</td> <td>±0.2</td> </tr> <tr> <td></td> <td>0.XX</td> <td>±0.10</td> </tr> <tr> <td></td> <td>0.XXX</td> <td>±0.050</td> </tr> <tr> <td>angular</td> <td>0°</td> <td>±°</td> </tr> </table>	linear	0.X	±0.2		0.XX	±0.10		0.XXX	±0.050	angular	0°	±°	app'r	Chen-Hong Tan	2011/11/23			<table border="1"> <tr> <td>title</td> <td>MODULE ASSEMBLY</td> </tr> <tr> <td></td> <td>VERTICAL HEADER, 8-COLUMN, 6-PAIR</td> </tr> </table>	title	MODULE ASSEMBLY		VERTICAL HEADER, 8-COLUMN, 6-PAIR	<table border="1"> <tr> <td>dwg no</td> <td>10104999</td> </tr> <tr> <td>rev</td> <td>C</td> </tr> </table>	dwg no	10104999	rev	C
linear	0.X	±0.2																										
	0.XX	±0.10																										
	0.XXX	±0.050																										
angular	0°	±°																										
title	MODULE ASSEMBLY																											
	VERTICAL HEADER, 8-COLUMN, 6-PAIR																											
dwg no	10104999																											
rev	C																											
ASME Y14.5		www.fci.com	cat. no.	SEE P/N TREE	Product - Customer Drw	sheet 5 of 8																						

FOUR WALL MODULE

SEE NOTE 8

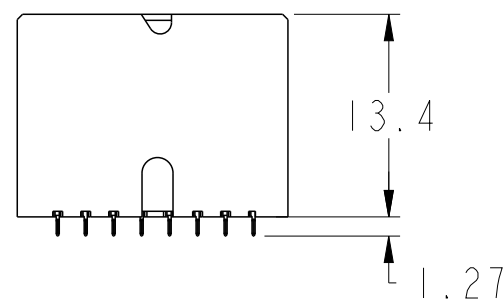
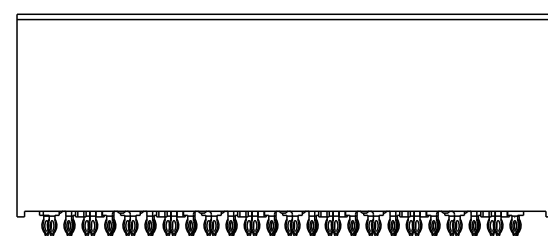
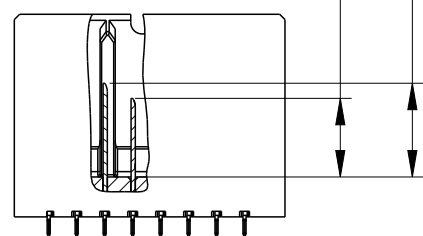


SEE NOTE 5

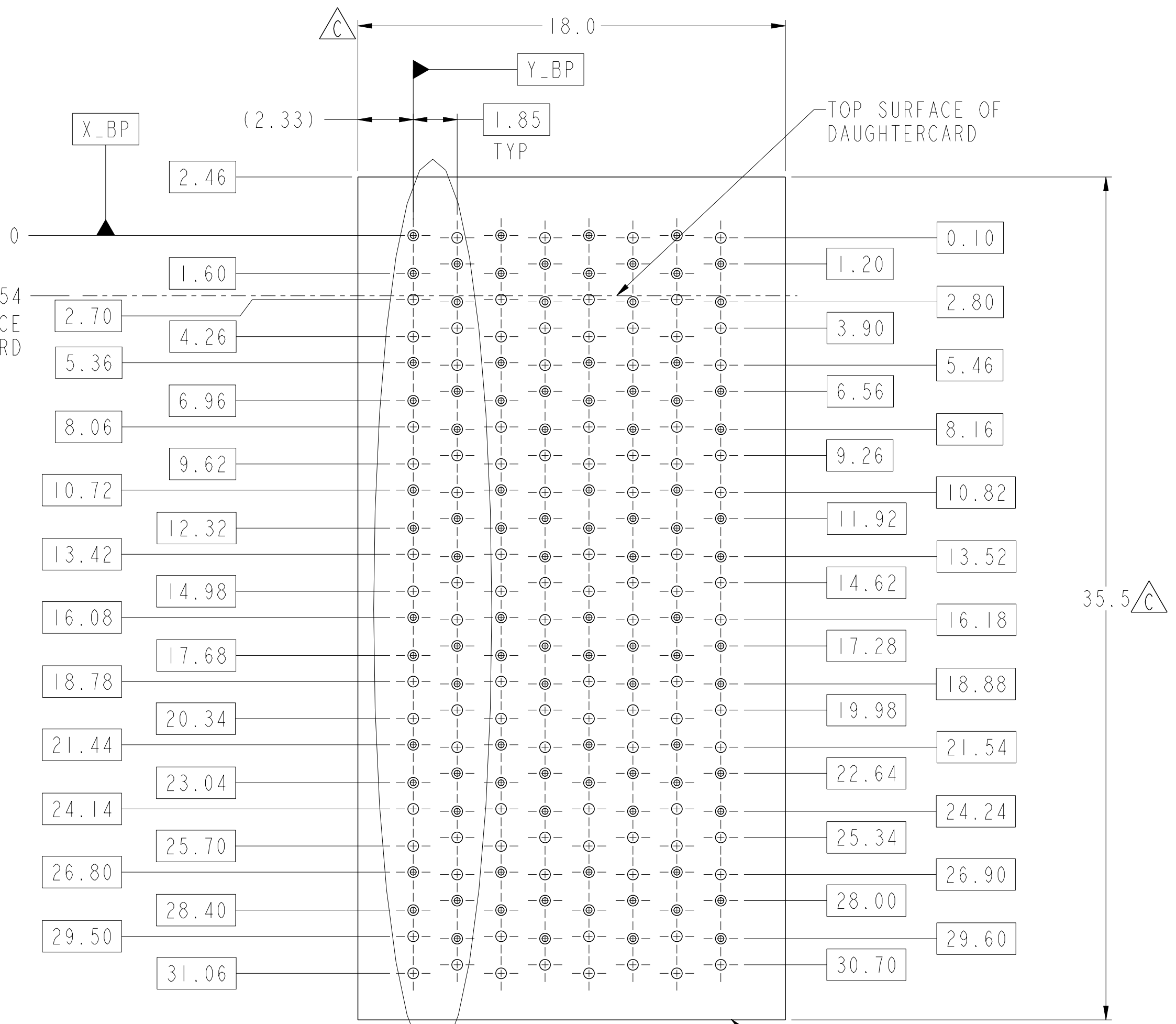


- 6.2 (4MM WIPE WIDE GROUNDS)
- 5.2 (3MM WIPE WIDE GROUNDS)
- 5.2 (3MM SMALL END GROUNDS)
- 5.2 (3MM WIPE SIGNALS)
- 4.2 (2MM WIPE SIGNALS)

(SEE P/N TREE FOR ALL COMBINATIONS AVAILABLE)



2.54
TO TOP SURFACE
OF DAUGHTERCARD



SEE DETAIL A
(SHEET 8)

PCB HOLE PATTERN
COMPONENT SIDE
SCALE 6:1

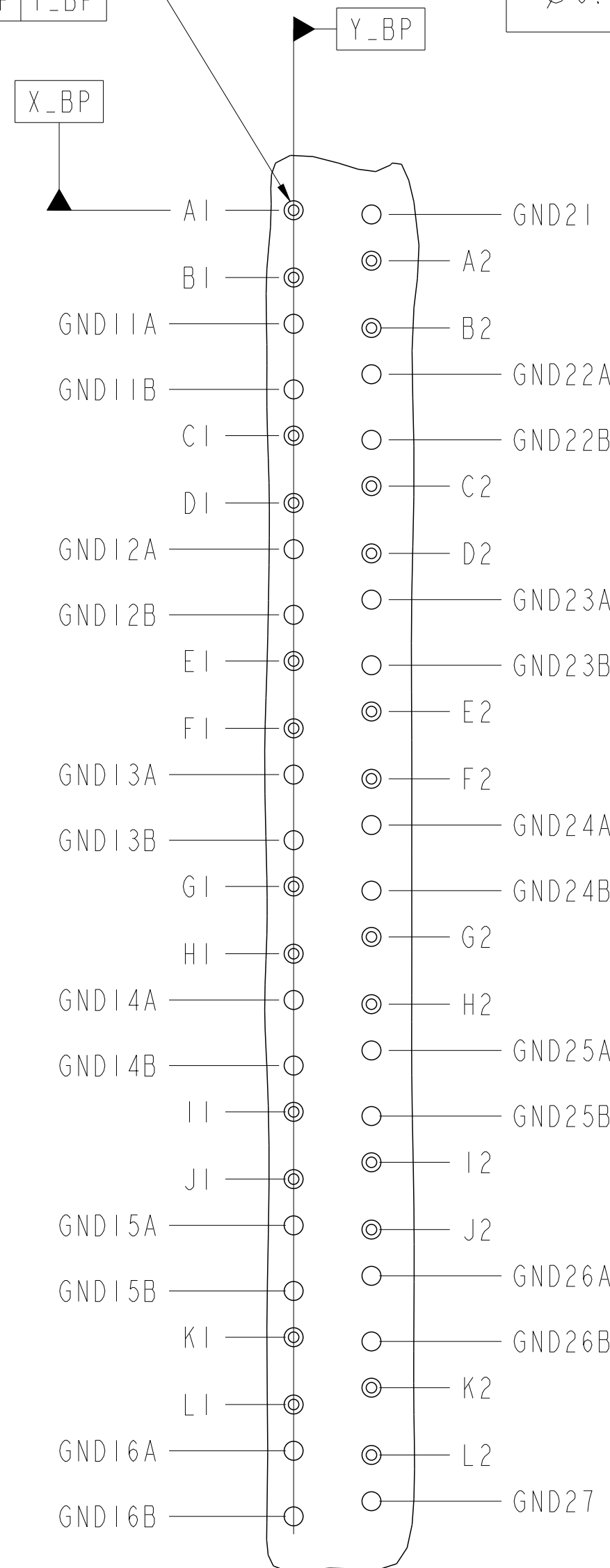
NOMINAL MODULE OUTLINE

spec ref	SEE NOTES	dr	Kok-Hoe Lee	2010/06/24	projection	MM	size	A2	scale	3:1										
tolerance std	TOLERANCES UNLESS OTHERWISE SPECIFIED	eng	Roger Ng	2011/10/20			ecn no	ELX-S-006560-1	rel level	Blue										
ASME Y14.5		chr																		
surface	<table border="1"> <tr><td>linear</td><td>0.X</td><td>±0.2</td></tr> <tr><td></td><td>0.XX</td><td>±0.10</td></tr> <tr><td></td><td>0.XXX</td><td>±0.050</td></tr> <tr><td>angular</td><td>0°</td><td>±</td></tr> </table>	linear	0.X	±0.2		0.XX	±0.10		0.XXX	±0.050	angular	0°	±	appr	Chen-Hong Tan	2011/11/23	product family		rel level	
linear	0.X	±0.2																		
	0.XX	±0.10																		
	0.XXX	±0.050																		
angular	0°	±																		
ASME Y14.5				MODULE ASSEMBLY VERTICAL HEADER, 8-COLUMN, 6-PAIR		cat. no.	SEE P/N TREE	Product - Customer Drw	sheet 7 of 8											

TABLE 3: PTH AND PAD SIZES WITH REFERENCE TO COMPLIANT PIN DRILL		
COMPLIANT PIN DRILL	PTH	PAD
Ø0.55 [0.0217"]	Ø0.45±0.05	Ø0.85
Ø0.45 [0.0177"]	Ø0.36±0.05	Ø0.75

REFER TABLE 3 FOR PTH, DRILL & PAD SIZES

⊕	Ø0.10	X_BP	Y_BP
---	-------	------	------



- NOTES:
- CONNECTOR MATERIALS
SHROUD: HIGH-TEMP THERMOPLASTIC, GRAY, UL94V-0
CONTACTS: HIGH PERFORMANCE COPPER ALLOY
 - CONTACT PLATING:
SEPARABLE INTERFACE: PERFORMANCE-BASED PLATING, QUALIFIED TO MEET THE REQUIREMENTS OF FCI PRODUCT SPECIFICATION GS-12-588, INCLUDING TELCORDIA GR-1217-CORE (NOVEMBER 1995) CENTRAL OFFICE (CO) OR UNCONTROLLED ENVIRONMENT (UE) TEST SEQUENCE AS NOTED IN P/N TREE.
PRESS-FIT TAILS: TIN OVER NICKEL, OR TIN-LEAD ALLOY OVER NICKEL. SEE P/N TREE.
 - PRODUCT SPECIFICATION: GS-12-588
 - APPLICATION SPECIFICATION: GS-20-121
 - PRODUCT MARKING (PART NUMBER AND LOT CODE) ON THESE SURFACES.
 - HOUSING MUST WITHSTAND EXPOSURE TO 260°C PEAK TEMPERATURE FOR 40 SECONDS IN A CONVECTION, INFRA-RED, OR VAPOR-PHASE REFLOW OVEN.
 - PACKAGING MEETS GS-14-920 LEAD-FREE LABELING SPECIFICATION.
 - NOTCH INDICATES "ROW A" SIDE OF CONNECTOR.
 - SEE APPLICATION SPECIFICATION FOR ROUTING GUIDELINES, ADDITIONAL PTH GUIDELINES, MATED DIMENSIONS, GUIDE PN SELECTION, ETC.
 - SCREW IS OPTIONAL AND ENGAGES WITH BOTTOM OF GUIDE-PIN FROM BENEATH THE PCB FOR ADDITIONAL GUIDE-PIN SUPPORT.
 - OPTIONAL HOLE LOCATION FOR GROUNDED PIN OR ADDITIONAL GUIDE-PIN SUPPORT. SEE TABLE 1 ON SHEET 1 FOR ADDITIONAL DETAILS.
 - A \triangle SYMBOL WILL BE NEXT TO ANY DIMENSION, VIEW, OR NOTE WHICH HAS BEEN MODIFIED WITH THE CURRENT DRAWING REVISION.

spec ref	SEE NOTES	dr	Kok-Hoe Lee	2010/06/24	projection	MM	size	A2	scale	3:1
tolerance std	TOLERANCES UNLESS OTHERWISE SPECIFIED	eng	Roger Ng	2011/10/20			ecn no	ELX-S-006560-1		
ASME Y14.5		chr					rel level	Released		
surface	linear	0.X	±0.2		product family		cat. no.	SEE P/N TREE	Product - Customer Drw	sheet 8 of 8
ASME Y14.5		0.XX	±0.10		title	MODULE ASSEMBLY		dwg no	10104999	
		0.XXX	±0.050		www.fci.com	VERTICAL HEADER, 8-COLUMN, 6-PAIR		rev	C	