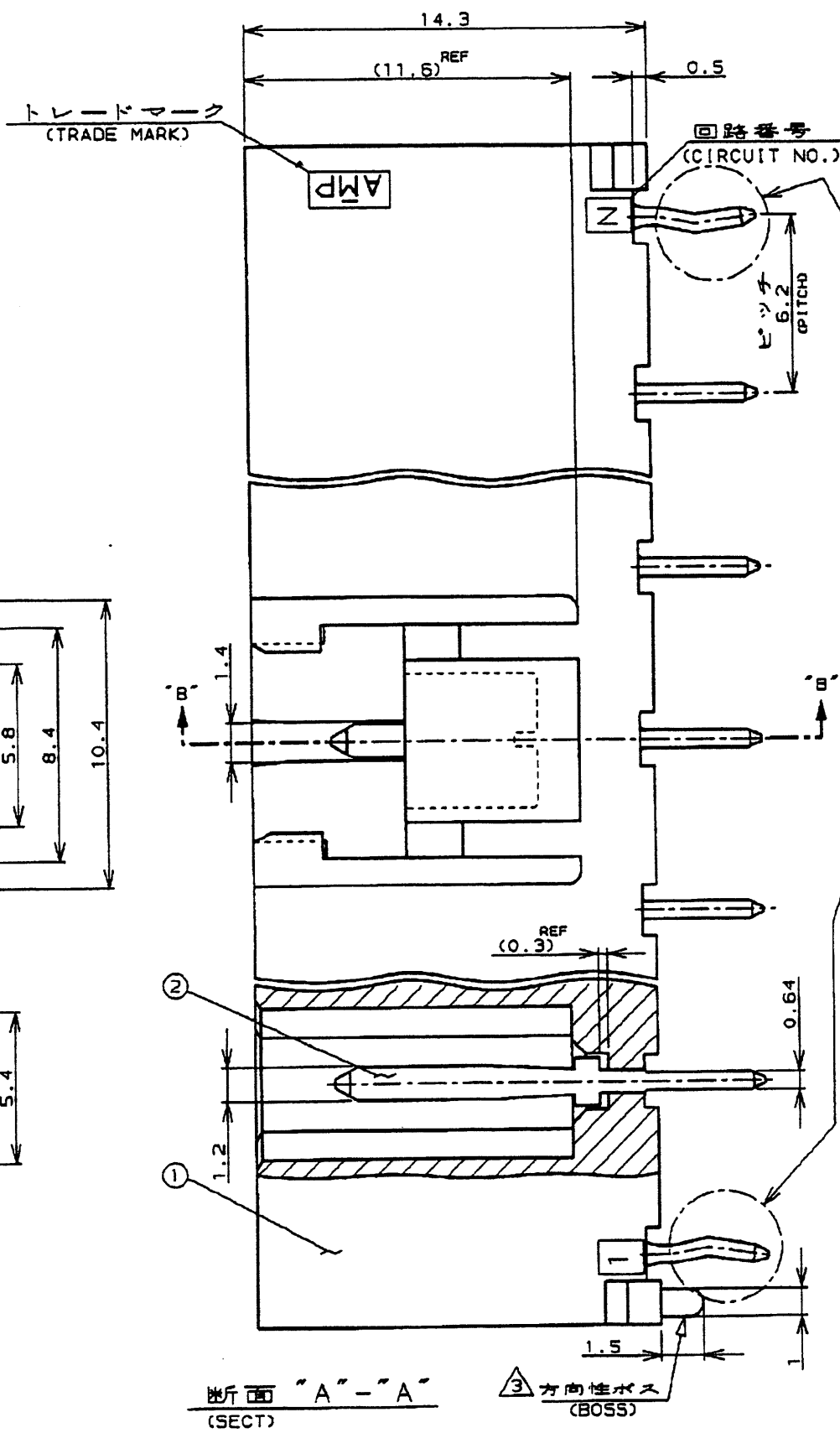
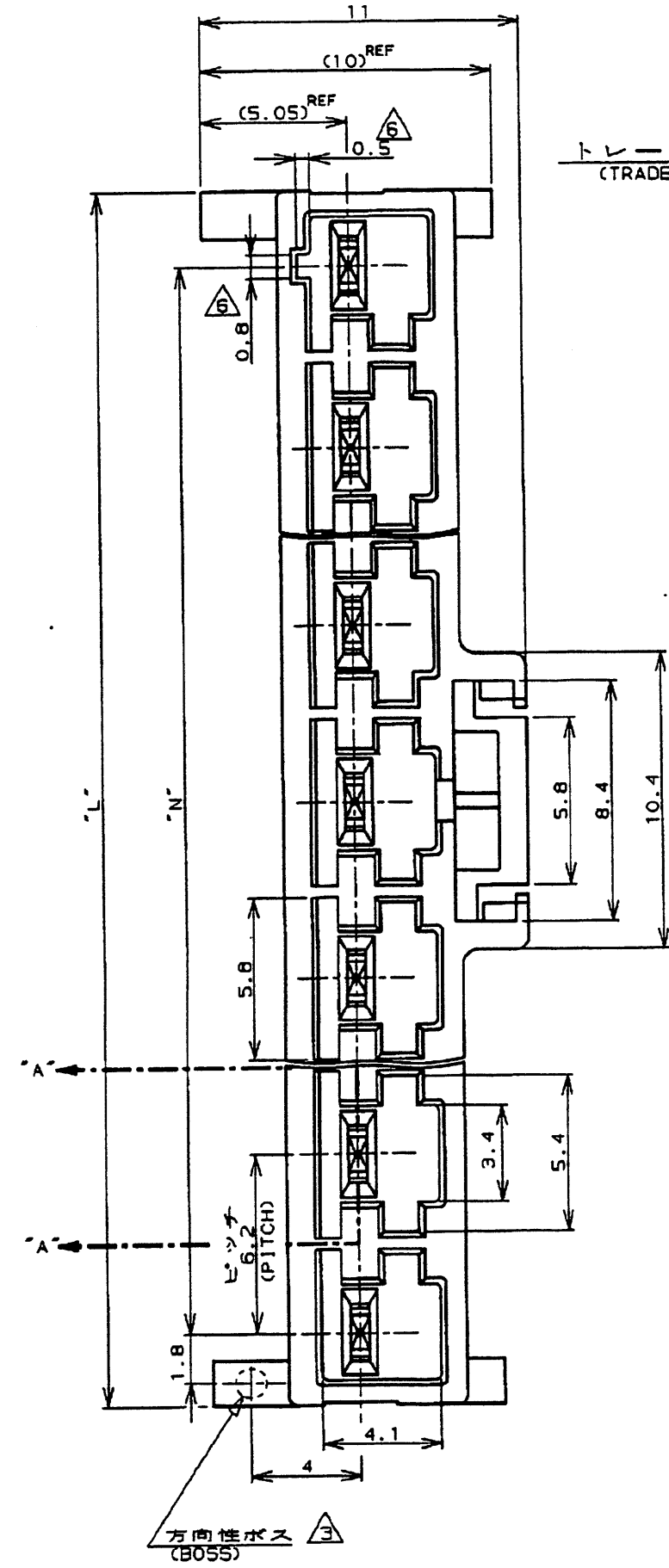


NUMBER C-178841

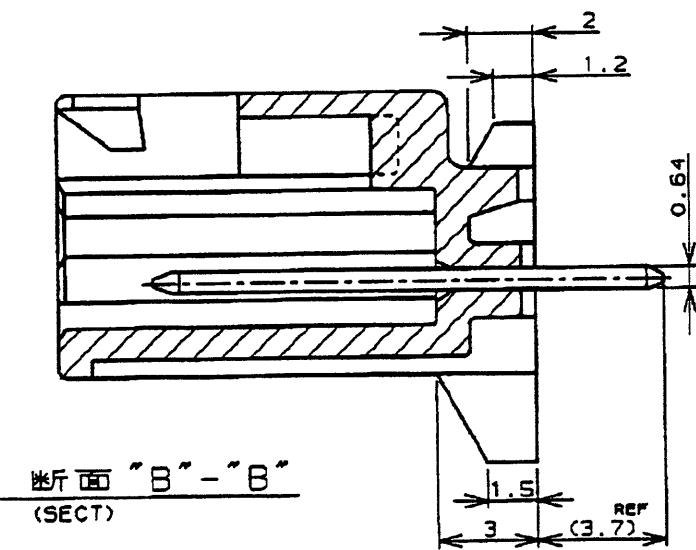
METRIC

ALL DIMENSIONS IN MM. DO NOT SCALE PRINT

PRINT DIST



断面 "A"- "A" (SECT)



断面 "B"- "B" (SECT)

NOTES:

- 1 PRODUCT SPEC : 108-5302
- 2 RECOMMENDED P.C.B LAYOUT (SEE FIG.1)
- 3 APPLICABLE "WITH BOSS" TYPE ONLY
- 4 P.C.B THICKNESS : 1.6
- 5 MATING CONN. P/N
6.2mm PITCH PLUG HOUSING (C-178842-1)
RECE CONTACT: 175151-1 (AWG#26-#22)
175152-1 (AWG#16-#20)
- 6 KEYING POSITION (THE LAST CIRCUIT)

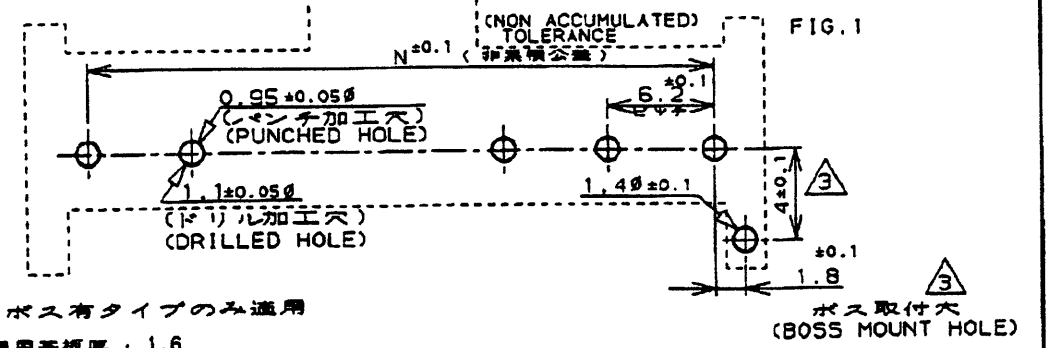
キック加工 (KICKING FORM)

表1 TABLE 1

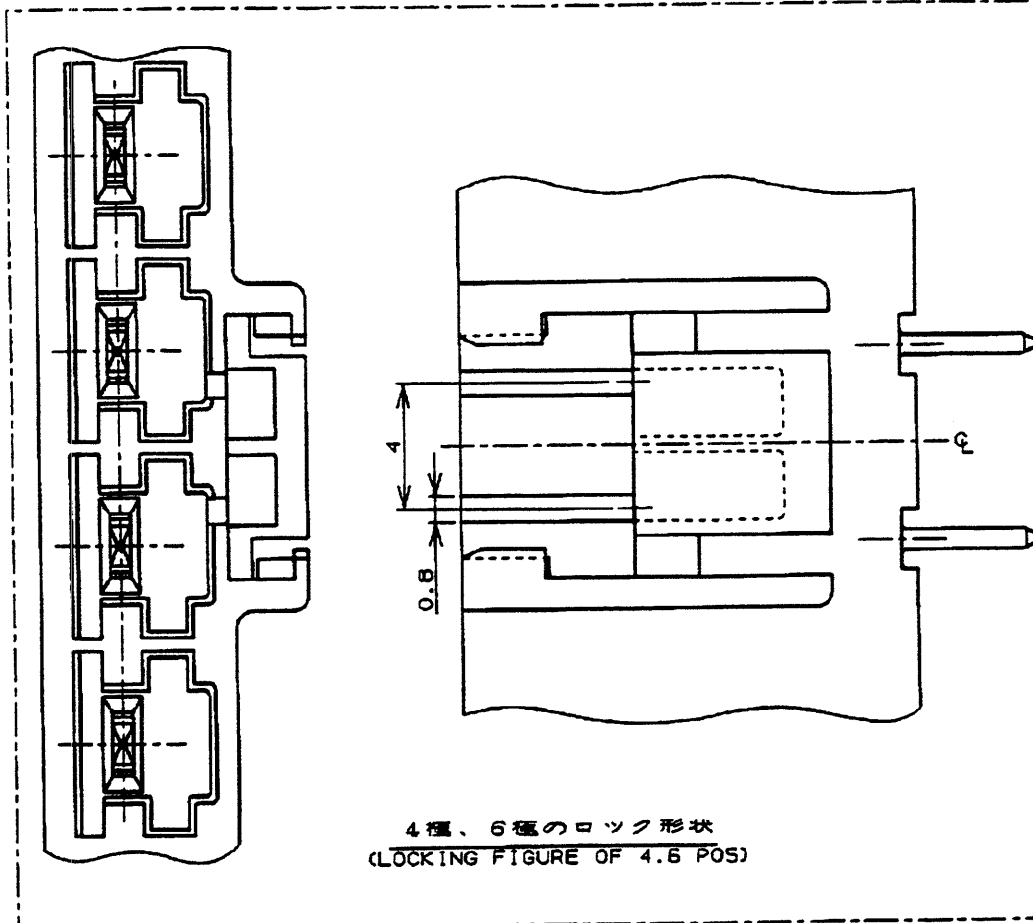
| 部品番号 PART NO. | 名称 PART NAME | 材質、表面処理 MATERIAL & FINISH |
|------------------|-----------------------------|----------------------------------------------------------------------------------------------|
| ① | ヘッダーハウジング HEADER HOUSING | 6/6ナイロンガラス強化(UL94V-0) 6/6 NYLON GLASS FILLED(UL94V-0) トラッキングインデックス (CTI) 175(TK250) |
| ② | タブ TAB | 高導電率銅合金(MSP-1)鍍めつき仕上 COPPER ALLOY (MSP-1) TIN PLATED |

注:

1. 適用製品規格 : 108-5302
2. 取付基板寸法 (コネクタ取付方向から図示)



3. ボス有タイプのみ適用
4. 適用基板厚 : 1.6
5. 適合相手側製品型番
6.2mm ピッチプラグハウジング (C-178842-1)
リセコンタクト : 175151-1 (AWG#26-#22)
175152-1 (AWG#16-#20)
6. 最終回路NO.部のみ適用 (キーイング)



4種、6種のロック形状 (LOCKING FIGURE OF 4.6 POS)

| ボス (BOSS) | 寸法 (DIMENSION) | L | N | 極数 (POS) | ハウジング色調 (HOUSING COLOR) | | 型番 (P/N) |
|---------------|----------------|------|-------|-----------------|-------------------------|----------|--------------|
| | | | | | 色 (COLOR) | 調 (TONE) | |
| 有 (WITH BOSS) | 54.7 | 49.6 | 9 | 9 | (BLACK) | 黒 | 7- 178841 -9 |
| | | | | | (BLUE) | 青 | 7- -6 |
| | | | | | (YELLOW) | 黄 | 7- -4 |
| | | | | | (RED) | 赤 | 7- -2 |
| | | | | | (NATURAL) | 自然色 | 7- -1 |
| | | | | | (BLACK) | 黒 | 6- -9 |
| 有 (WITH BOSS) | 36.1 | 31.0 | 6 | 6 | (BLUE) | 青 | 6- -6 |
| | | | | | (YELLOW) | 黄 | 6- -4 |
| | | | | | (RED) | 赤 | 6- -2 |
| | | | | | (NATURAL) | 自然色 | 6- -1 |
| | | | | | (BLACK) | 黒 | 5- -9 |
| | | | | | (BLUE) | 青 | 5- -6 |
| 有 (WITH BOSS) | 23.7 | 18.6 | 4 | 4 | (YELLOW) | 黄 | 5- -4 |
| | | | | | (RED) | 赤 | 5- -2 |
| | | | | | (NATURAL) | 自然色 | 5- -1 |
| | | | | | (BLACK) | 黒 | 4- -9 |
| | | | | | (BLUE) | 青 | 4- -6 |
| | | | | | (YELLOW) | 黄 | 4- -4 |
| 有 (WITH BOSS) | 17.5 | 12.4 | 3 | 3 | (RED) | 赤 | 4- -2 |
| | | | | | (NATURAL) | 自然色 | 4- -1 |
| | | | | | (BLACK) | 黒 | 3- -9 |
| | | | | | (BLUE) | 青 | 3- -6 |
| | | | | | (YELLOW) | 黄 | 3- -4 |
| | | | | | (RED) | 赤 | 3- -2 |
| 有 (WITH BOSS) | 17.5 | 12.4 | 3 | 3 | (NATURAL) | 自然色 | 3- -1 |
| | | | | | (BLACK) | 黒 | 2- -9 |
| | | | | | (BLUE) | 青 | 2- -6 |
| | | | | | (YELLOW) | 黄 | 2- -4 |
| | | | | | (RED) | 赤 | 2- -2 |
| | | | | | (NATURAL) | 自然色 | 2- -1 |
| 有 (WITH BOSS) | 17.5 | 12.4 | 3 | 3 | (NATURAL) | 自然色 | 178841 -1 |
| | | | | | (BLACK) | 黒 | 1- -9 |
| | | | | | (BLUE) | 青 | 1- -6 |
| | | | | | (YELLOW) | 黄 | 1- -4 |
| | | | | | (RED) | 赤 | 1- -2 |
| | | | | | (NATURAL) | 自然色 | 1- -1 |
| △ | L | N | 極数 | ハウジング色調 | | 型番 (P/N) | |
| △ | 寸法 (DIMENSION) | | (POS) | (HOUSING COLOR) | | | |

| | | | | | | | | | | | | | | | | | | | | | | | | | | | |
|------------------------------------|--|--|--|-------------------------------------|--|--|--|-------------------------------------|--|--|--|-------------------------------|--|--|--|----------------------|--|--|--|-----------------------|--|--|--|--------------------------------------------------------------------------------|--|--|--|
| E 変更 FJ00-0078-03 N.Y.M.S. 3APR 03 | | | | D 変更 FJ00-2056-98 T.Y.M.S. 28OCT 98 | | | | C 変更 FJ00-5005-96 N.Y.M.S. 47JUL 96 | | | | B 変更 FJ00-0385-94 N.Y.M.S. 94 | | | | A 変更 J-0363 A.S. 9/9 | | | | O 作成 J-0297 A.S. 7/31 | | | | LTR 変更 (REVISION RECORD) DR CHK DATE CHK. Y.FUJITA 7/31/91 APP. N.ONOUE 8/1/91 | | | |
| 材料 (MATERIAL) | | | | 仕上 (FINISH) | | | | 一般公差 (GENERAL TOLERANCE) | | | | 寸法 (SCALED) | | | | REV. SHEET | | | | | | | | | | | |
| --- | | | | --- | | | | C J | | | | E | | | | 1 OF 1 | | | | | | | | | | | |

tyco Tyco Electronics AMP K.K. Kawasaki, Japan

AMP ユニバーサルヘッダーコネクタ 6.2mm ピッチ
タブヘッダーアッセンブリ (V-1 列タイプ)
CAMP UP CONN. 6.2mm PITCH TAB HEADER ASS'Y (V TYPE, SGL ROW)

SIZE LOC C-178841

REV. E SHEET 1 OF 1