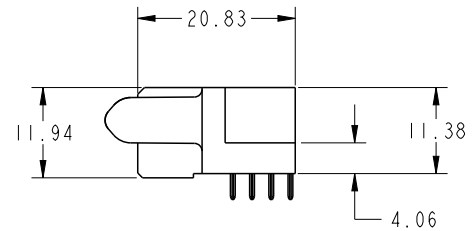
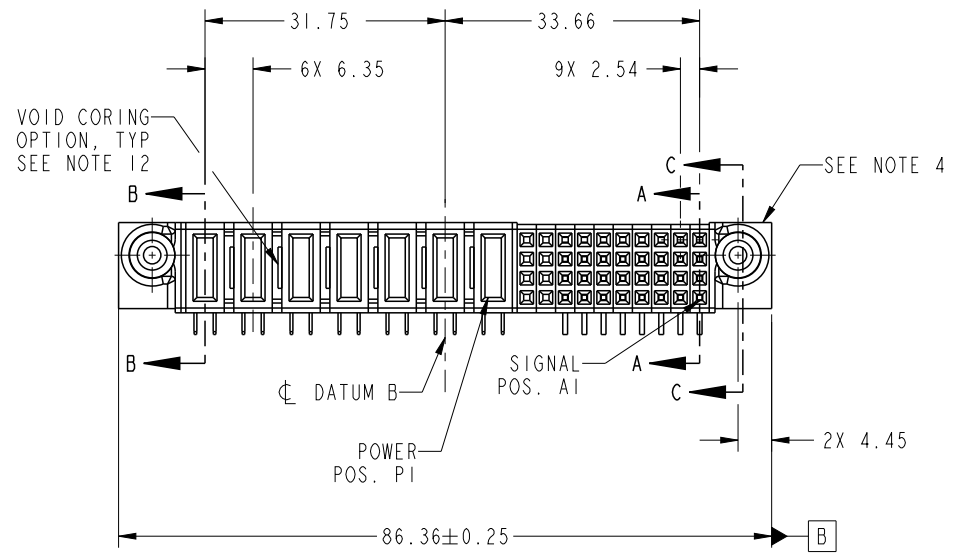


|                                      |                          |       |    |    |    |    |    |    |        |    |    |    |    |    |    |    |    |    |    |   |
|--------------------------------------|--------------------------|-------|----|----|----|----|----|----|--------|----|----|----|----|----|----|----|----|----|----|---|
| PRODUCT NO.<br>51771-023--<br>NOTE 3 | ROWS<br>D<br>C<br>B<br>A | POWER |    |    |    |    |    |    | SIGNAL |    |    |    |    |    |    |    |    |    | E1 |   |
|                                      |                          | E2    | P7 | P6 | P5 | P4 | P3 | P2 | P1     | 10 | 9  | 8  | 7  | 6  | 5  | 4  | 3  | 2  |    | 1 |
|                                      |                          |       | PA | PA | PA | PA | PA | PA | PA     | XX | HH | HH | HH | HH | HH | HH | HH | HH | HH |   |
|                                      |                          |       |    |    |    |    |    |    |        | XX | GG | GG | GG | GG | GG | GG | GG | GG | GG |   |
|                                      |                          |       |    |    |    |    |    |    |        | XX | FF | FF | FF | FF | FF | FF | FF | FF | FF |   |
|                                      |                          |       |    |    |    |    |    |    |        | XX | EE | EE | EE | EE | EE | EE | EE | EE | EE |   |



| CODE | DIM "M" MATING LENGTH | CONTACT TYPE |
|------|-----------------------|--------------|
| PA   | [1.07]                | POWER        |
| H    | [N/A]                 | SIGNAL       |
| G    | [N/A]                 | SIGNAL       |
| F    | [N/A]                 | SIGNAL       |
| E    | [N/A]                 | SIGNAL       |

|               |                                       |       |       |             |                |            |                        |                    |           |              |                        |     |     |              |
|---------------|---------------------------------------|-------|-------|-------------|----------------|------------|------------------------|--------------------|-----------|--------------|------------------------|-----|-----|--------------|
| spec ref      | SEE NOTES                             |       |       | dr          | Guang, Shi     | 2011/11/15 | projection<br>         | MM<br>←→           | size      | A4           | scale                  | 1:1 |     |              |
| tolerance std | TOLERANCES UNLESS OTHERWISE SPECIFIED |       |       | eng         | Guang, Shi     | 2011/12/30 |                        |                    | ecn no    | -            |                        |     |     |              |
| SEE NOTES     |                                       |       |       | chr         | -              | -          |                        |                    |           |              |                        |     |     |              |
| surface       | linear                                | 0.X   | ±0.50 | appr        | Pei-Ming Zheng | -          | product family         | PwrBlade           | rel level | Released     |                        |     |     |              |
|               |                                       | 0.XX  | ±0.25 |             |                |            | title                  | 40S+7P             |           | dwg no       | 51771-023              |     | rev | A            |
|               |                                       | 0.XXX | ±0.1  |             |                |            | cat. no.               | R/A STB RECEPTACLE |           |              | Product - Customer Drw |     |     | sheet 1 of 4 |
|               | angular                               | 0°    | ±2°   | www.fci.com |                |            | Product - Customer Drw |                    |           | sheet 1 of 4 |                        |     |     |              |

PrdE File - REV C - 2009-06-09

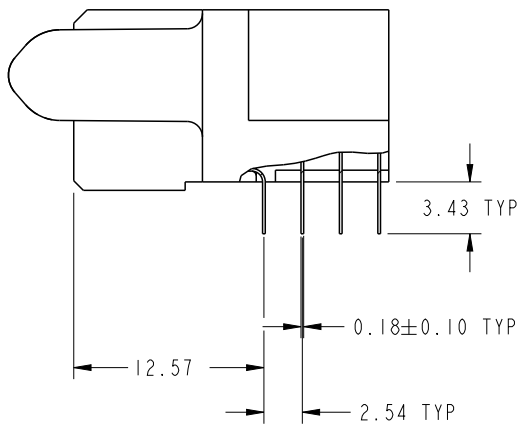


Copyright FCI.

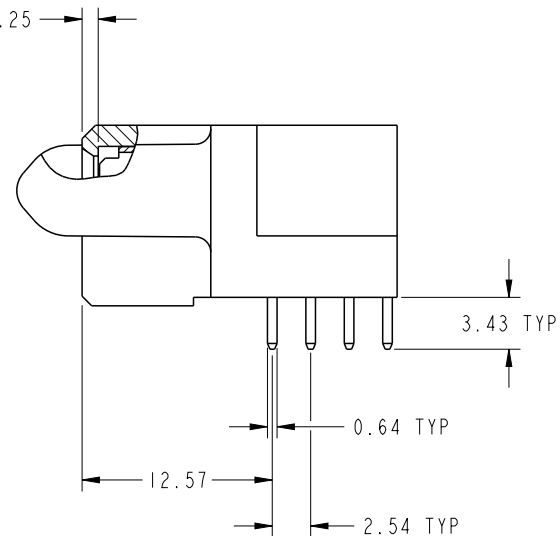
PRODUCT NUMBER

51771-023\_\_  
NOTE 3

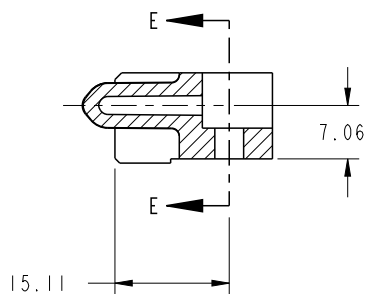
DIM "M" ±0.25



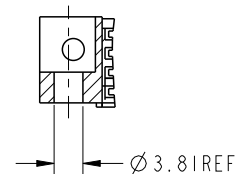
BROKEN-OUT SECTION A-A  
SCALE 2:1



BROKEN-OUT SECTION B-B  
SCALE 2:1



SECTION C-C

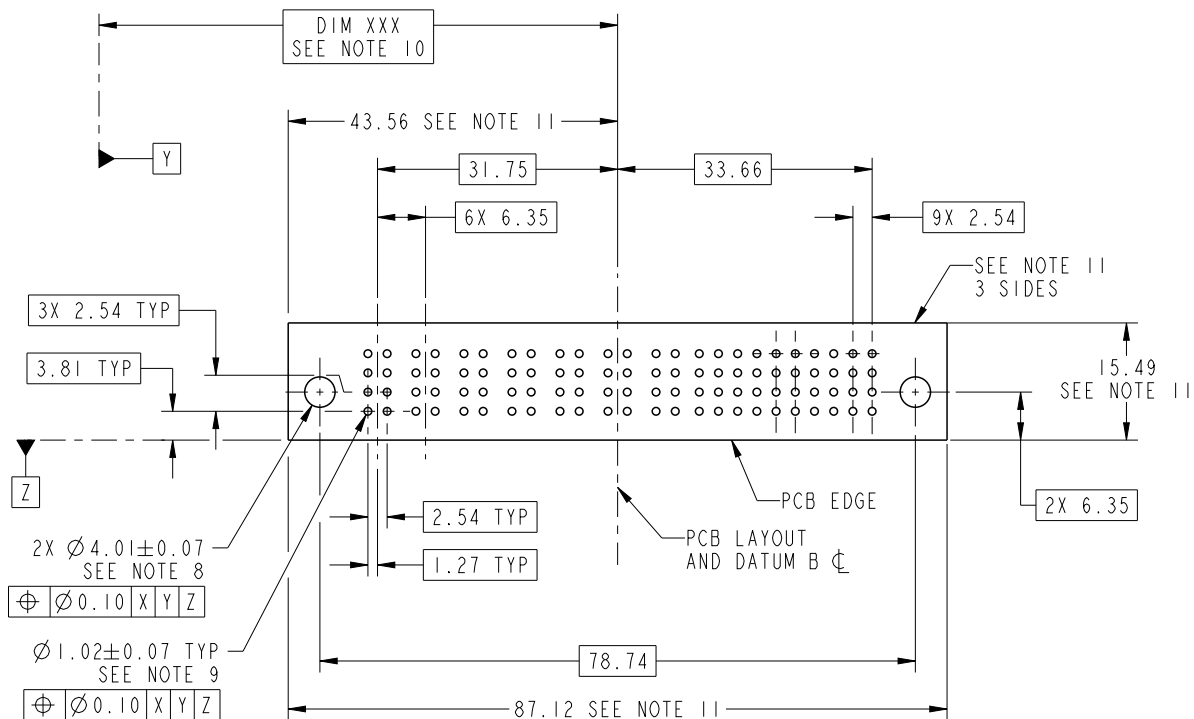


PARTIAL SECTION E-E

|      |                |                                       |                     |                                    |              |          |       |     |
|------|----------------|---------------------------------------|---------------------|------------------------------------|--------------|----------|-------|-----|
| dr   | Guang, Shi     | 2011/11/15                            | projection<br>      | MM<br>                             | size         | A4       | scale | 1:1 |
| eng  | Guang, Shi     | 2011/12/30                            |                     |                                    | ecn no       | -        |       |     |
| chr  | -              | -                                     |                     |                                    | rel level    | Released |       |     |
| appr | Pei-Ming Zheng | -                                     | product family      | PwrBlade                           | rev          | A        |       |     |
|      |                | title<br>40S+7P<br>R/A STB RECEPTACLE | dwg no<br>51771-023 | cat. no.<br>Product - Customer Drw | sheet 2 of 4 |          |       |     |

PRODUCT NUMBER

51771-023--  
NOTE 3



RECOMMENDED PCB LAYOUT

|      |                |                              |                |           |             |          |                        |              |
|------|----------------|------------------------------|----------------|-----------|-------------|----------|------------------------|--------------|
| dr   | Guang, Shi     | 2011/11/15                   | projection<br> | MM<br>    | size        | A4       | scale                  | 1:1          |
| eng  | Guang, Shi     | 2011/12/30                   |                |           | ecn no      | -        |                        |              |
| chr  | -              | -                            |                |           | rel level   | Released |                        |              |
| appr | Pei-Ming Zheng | -                            | product family | PwrBlade  | rev         | A        |                        |              |
|      | title          | 40S+7P<br>R/A STB RECEPTACLE | dwg no         | 51771-023 | www.fci.com | cat. no. | Product - Customer Drw | sheet 3 of 4 |

PRODUCT NUMBER

51771-023--  
NOTE 3

NOTES:

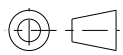
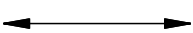

1. DIMENSIONS AND TOLERANCES ARE IN ACCORDANCE WITH ASME Y14.5M, 1994 UNLESS OTHERWISE SPECIFIED.

CONNECTOR NOTES:

- 2. HOUSING MATERIAL: UL 94 V-0 GLASS FILLED HIGH-TEMP THERMOPLASTIC  
POWER CONTACT MATERIAL: COPPER ALLOY  
SIGNAL PIN MATERIAL: COPPER ALLOY
- 3. SEE ITEM 5 & 6 IN PRINT 10064183 FOR PLATING SPEC OF 51771-023 AND 51771-023LF RESPECTIVELY.
- 4. MANUFACTURER'S NAME, DATE CODE AND OPTIONAL P/N TO APPEAR ON THIS SURFACE. THE P/N CAN BE OMITTED IF THERE IS NOT ENOUGH SPACE ON THIS SURFACE.
- 5. PRODUCT SPECIFICATION GS-12-149.  
APPLICATION SPECIFICATION BUS-20-067.
- 6. PACKAGED IN TRAYS.

PCB NOTES:

- 7. ALL HOLE DIAMETERS ARE FINISHED HOLE SIZE.
- 8. MOUNTING HOLES, WHERE APPLICABLE, ARE UNPLATED.
- 9.  $\varnothing 1.151 \pm 0.025$  DRILLED HOLES PLATED WITH  
0.008 MIN SnPb OR Sn OVER 0.03  
TO 0.08 Cu PLATING TO ACHIEVE  
 $\varnothing 1.02 \pm .07$  HOLE.
- 10. "DIM XXX" TO BE DETERMINED BY THE CUSTOMER.
- 11. CONNECTOR KEEP-OUT ZONE.
- 12. THE VOID CORING IN BETWEEN POWER MODULES, SIGNAL MODULES AND END MODULES ARE OPTIONAL AND THE SHAPE MAY BE DIFFERENT FOR OPTIMIZE THE MOLDING PROCESS. THE VOID CORING WILL NOT EFFECT TO PRODUCT FUNCTION.

|             |                |            |   |   |                                       |                     |           |          |
|-------------|----------------|------------|---|---|---------------------------------------|---------------------|-----------|----------|
| dr          | Guang, Shi     | 2011/11/15 | projection<br> | MM<br> | size                                  | A4                  | scale     | 1:1      |
| eng         | Guang, Shi     | 2011/12/30 |   |   | ecn no                                | -                   |           |          |
| chr         | -              | -          |   |   | product family                        | PwrBlade            | rel level | Released |
| appr        | Pei-Ming Zheng | -          |                  |   | title<br>40S+7P<br>R/A STB RECEPTACLE | dwg no<br>51771-023 | rev<br>A  |          |
| www.fci.com |                | cat. no.   | Product - Customer Drw  |   |                                       | sheet 4 of 4        |           |          |