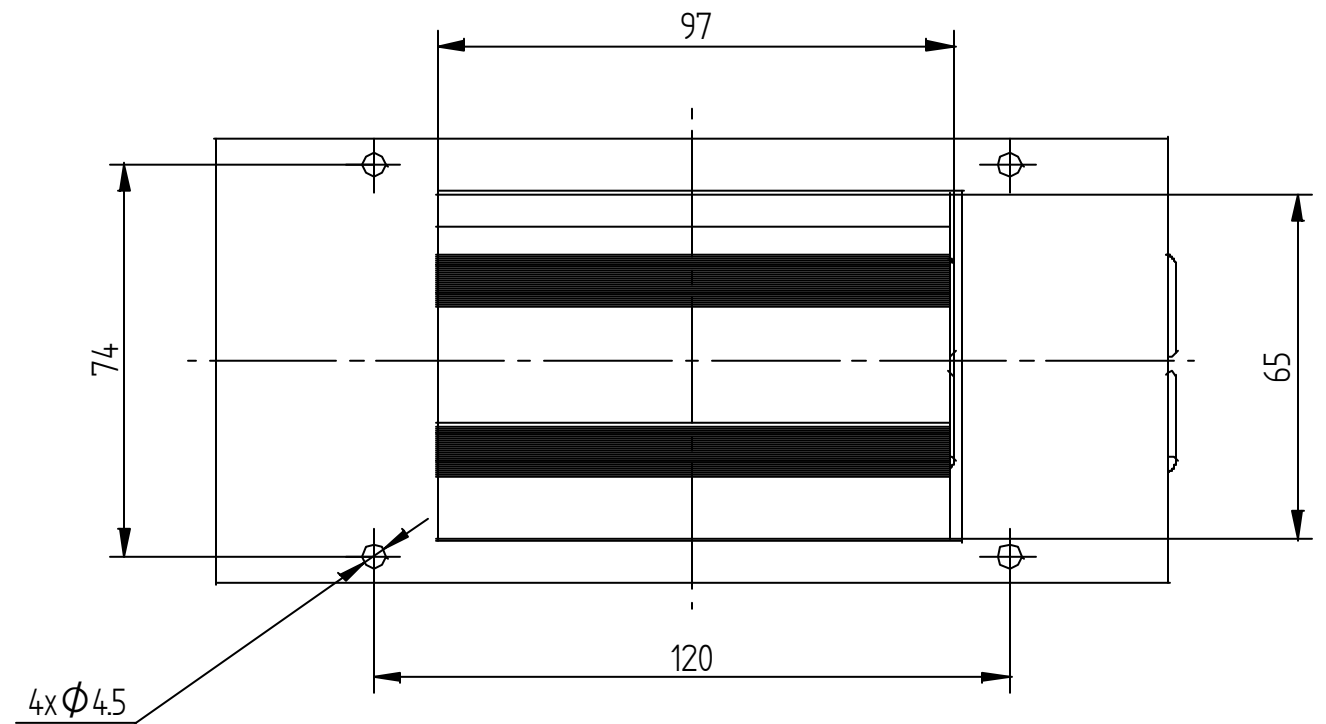


Specification: (Ta=32°C)	Code:	Description:
Heat transfer, cold side:	A	Air
Heat transfer, warm side:	A	Air
Cascade:	-	
Cooling power: [W]	033	28 W at dT=0°C. Tolerance: ±10%.
Voltage, nominal: [VDC]	24	24 VDC.
TEM Voltage: [VDC]		Nominal: 24 VDC, Max: 28 VDC.
TEM Current: [A]		Nominal: 2,3 A, Initial: 2,7 A. All at dT=0°C. Tolerance: ±10%.
Fan(s), cold side:	2	MTBF: 52,000 hrs. L10 at 25°C. Nominal current: 0.15 A. Voltage: 24 VDC ±10%.
Fan(s), warm side:	2	MTBF: 50,000 hrs. L10 at 25°C. Nominal current: 0.25 A. Voltage: 24 VDC ±10%.
Temperature controller, sensor:	0	None.
Temperature control settings, trim options:	0	-
Additional controller information:		
Temperature control position:	0	-
Options:	0	-
Weight:		1,4
Overheating thermostat:		None.
Operating temperature:		-10°C to +48°C at nominal voltage.
TE-Module(s) temperature specification:		Max. surface temperature: 80°C.
Enclosed:		-
Packing:		Individual cardboard box.

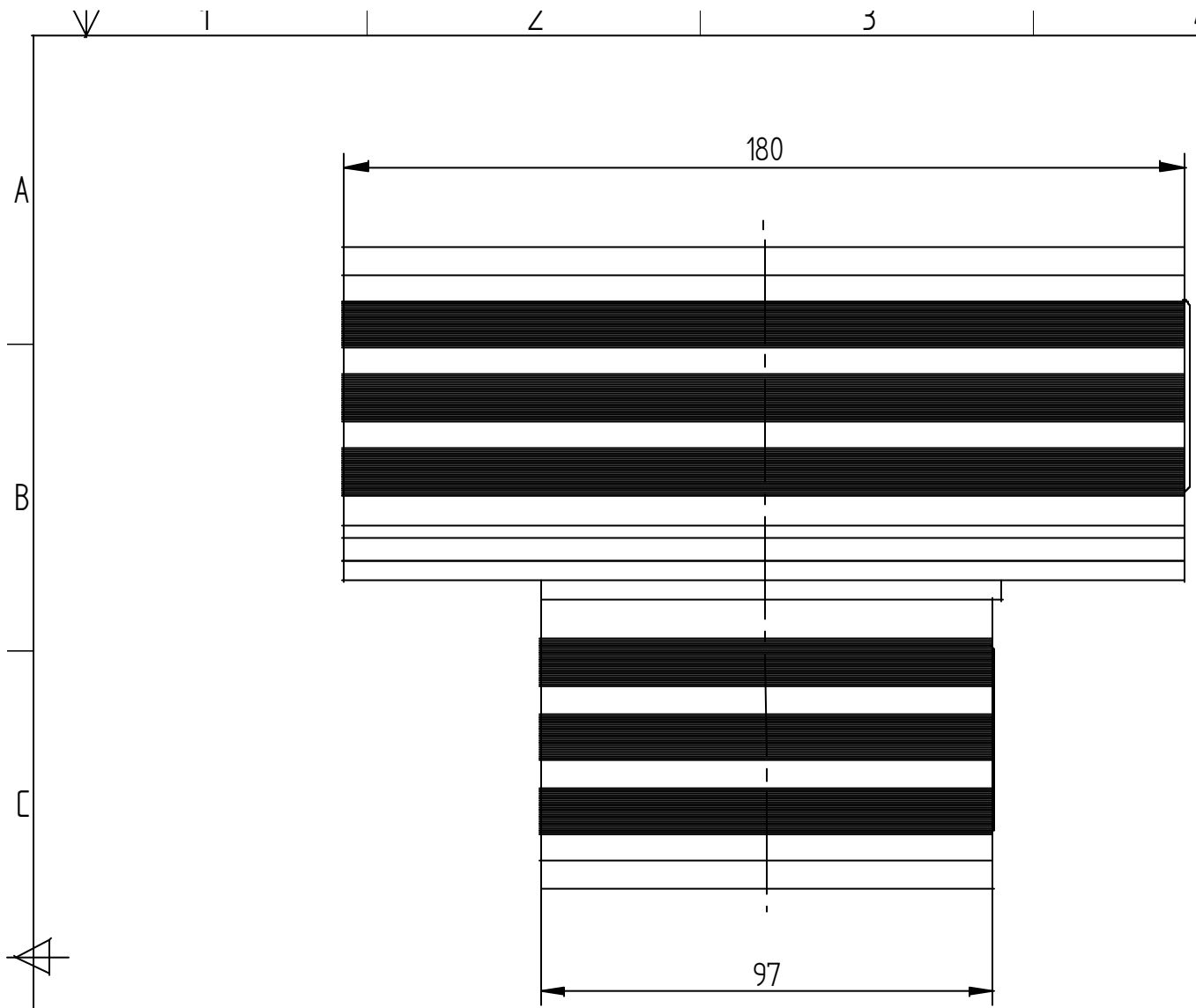
Mounting hole print: 99 x 67



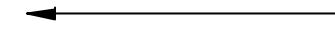
Comments / deviations: Heat sinks and, if applicable, D-plates and shrouds in anodised aluminium.		General tolerances: SS-ISO 2768-1 c	
Designed by: Henrik Höjer	Approved by: Pavel Cech	Release date: 20050128	Customer: Supercool AB
Project: T60		Title: TE ASSEMBLY 24 VDC AIR - AIR	
Part nr: AA-033-24-22-00-00	Rev. nr: 0	Status: 0	Scale: -
Size, sheet A3, 1(3)			



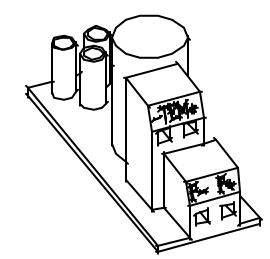
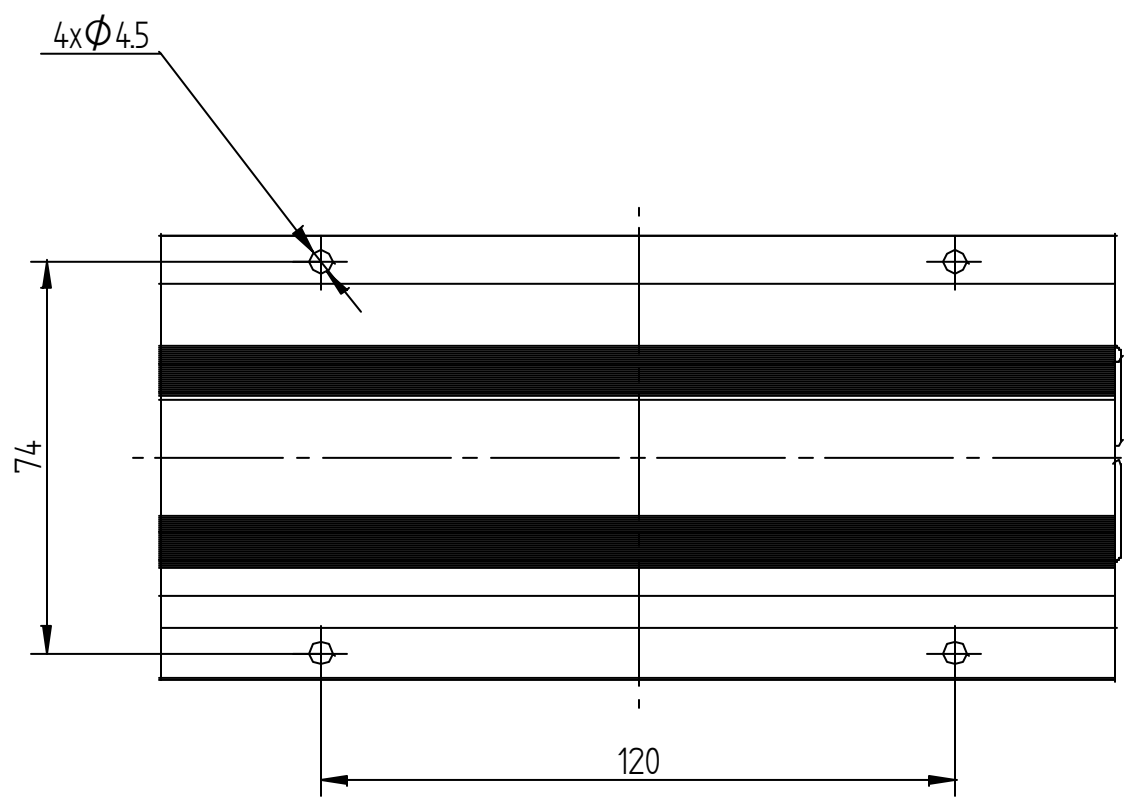
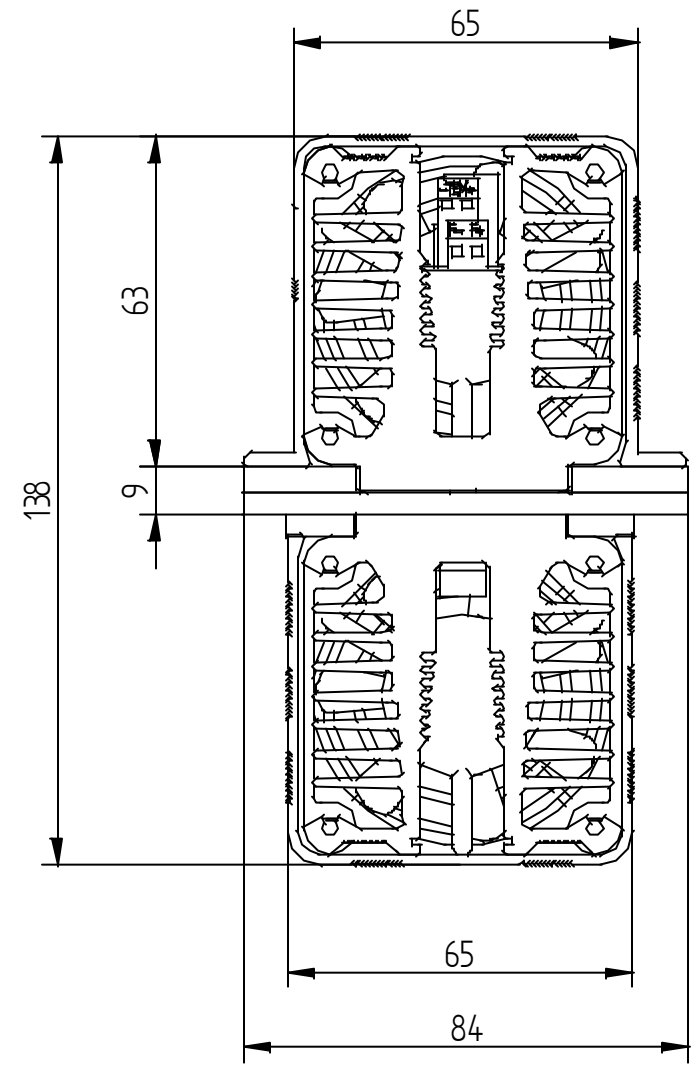
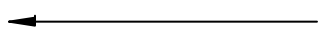
Supercool AB
Box 27, S-40120 Göteborg, Sweden
tfn: +46 31 420530, fax: +46 31 247909
e-mail: info@supercool.se
Web: www.supercool.se




Warm side air flow



Cold side air flow



Electrical connections:
 "TEM+": + TEM
 "TEM-": - TEM
 "F+": + Fan(s)
 "F-": - Fan(s)

Comments / deviations: Heat sinks and, if applicable, D-plates and shrouds in anodised aluminium.		General tolerances: SS-ISO 2768-1 c	
Designed by: Henrik Höjer	Approved by: Pavel Cech	Release date: 20050128	Customer: Supercool AB
 Supercool AB Box 27, S-40120 Göteborg, Sweden tfn: +46 31 420530, fax: +46 31 247909 e-mail: info@supercool.se Web: www.supercool.se		Title: TE ASSEMBLY 24 VDC AIR - AIR	
		Part nr: AA-033-24-22-00-00	Rev. nr: 0
		Size, sheet A3, 2(3)	