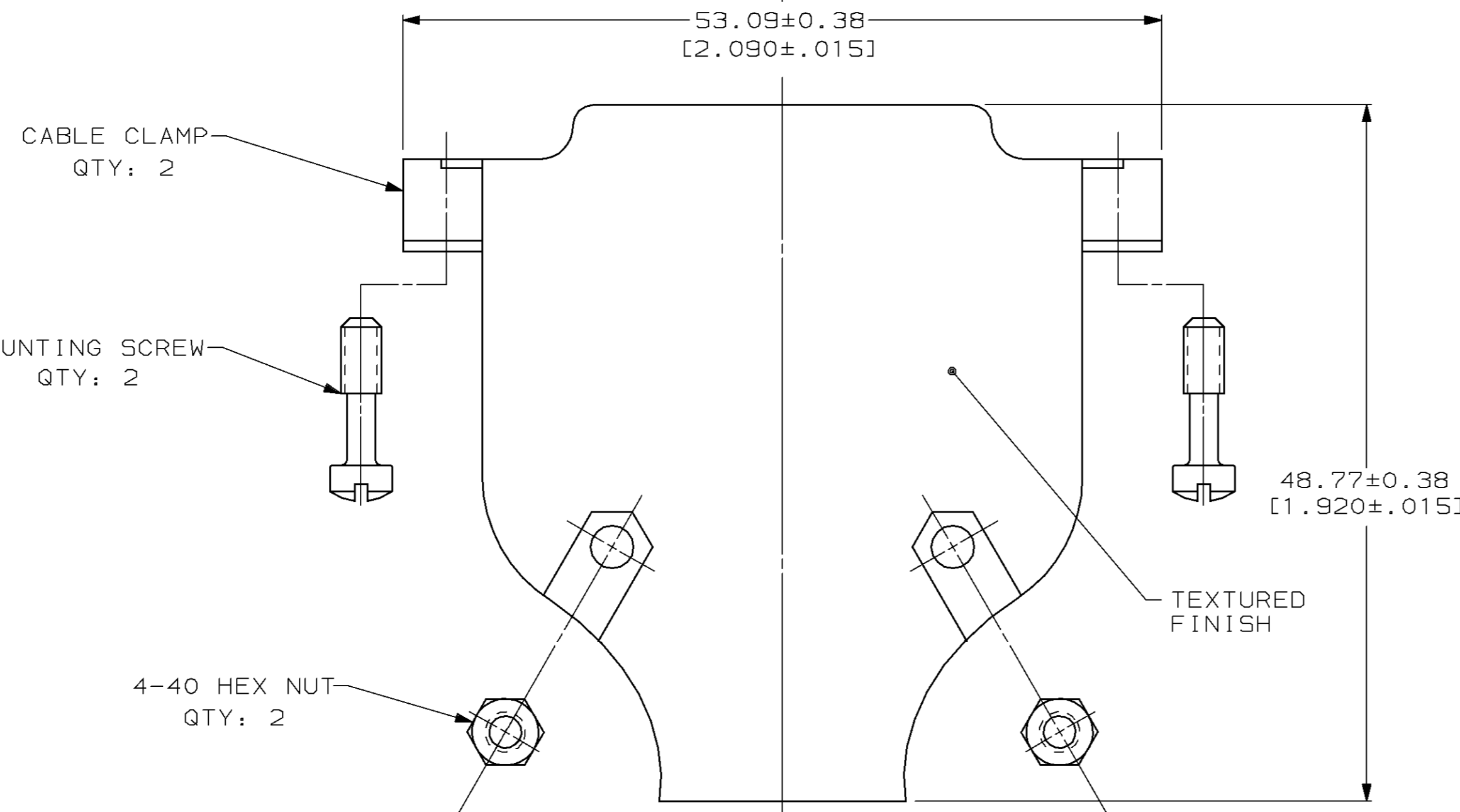
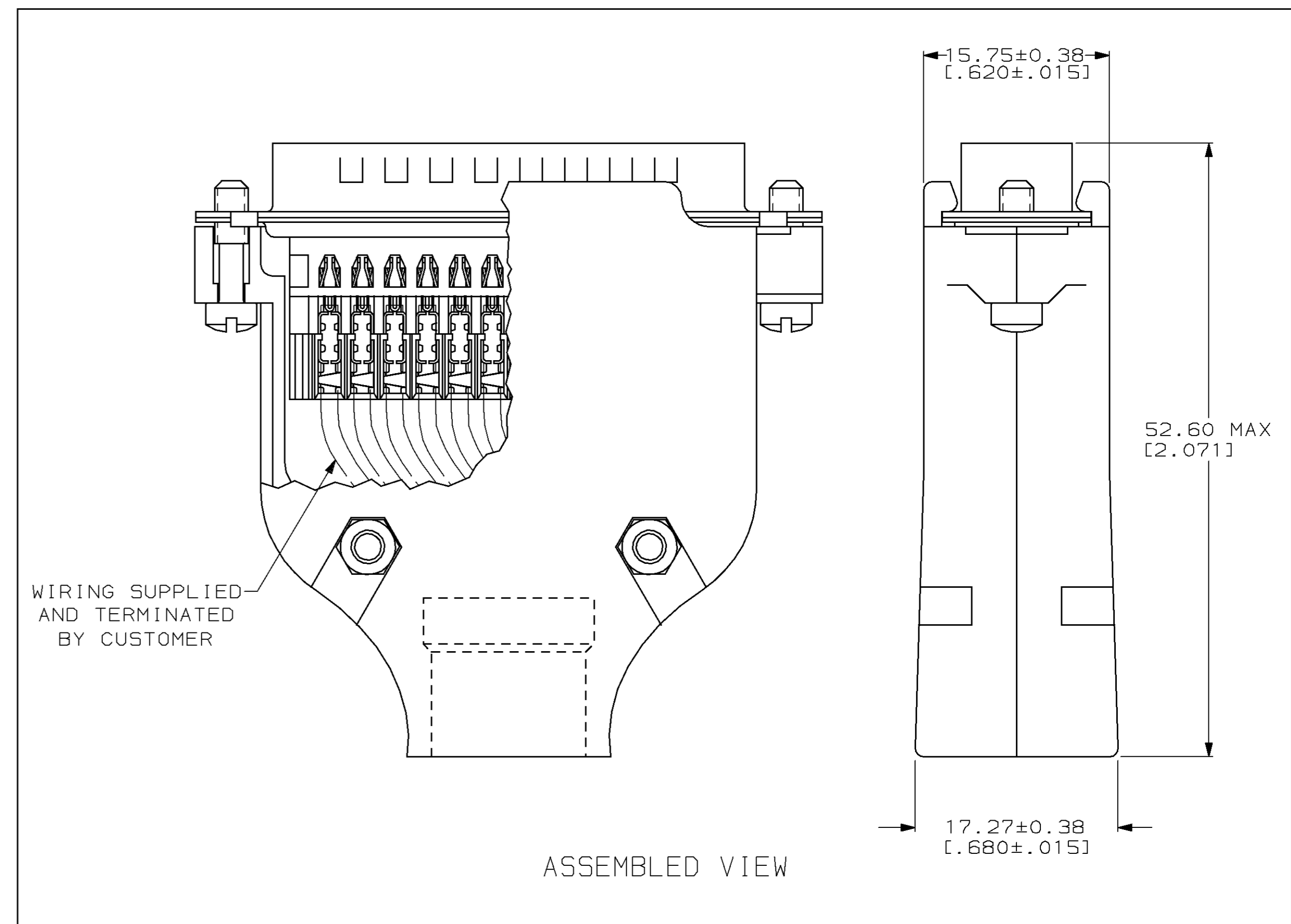
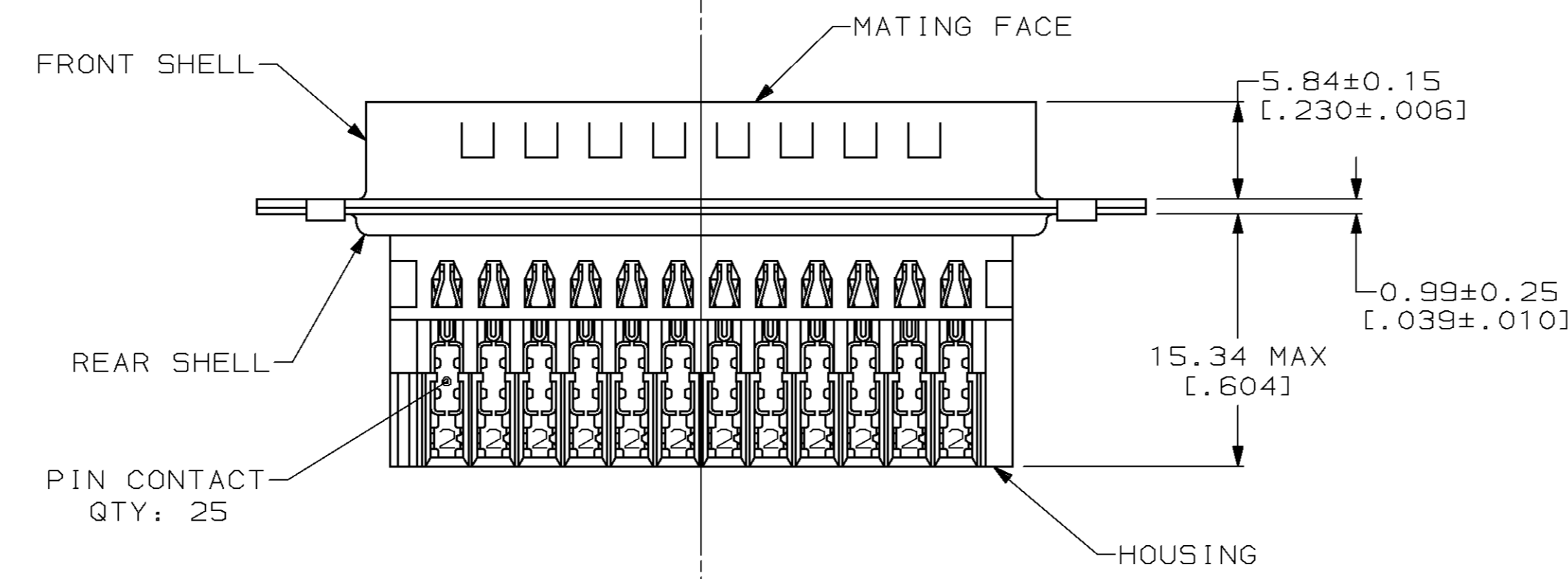
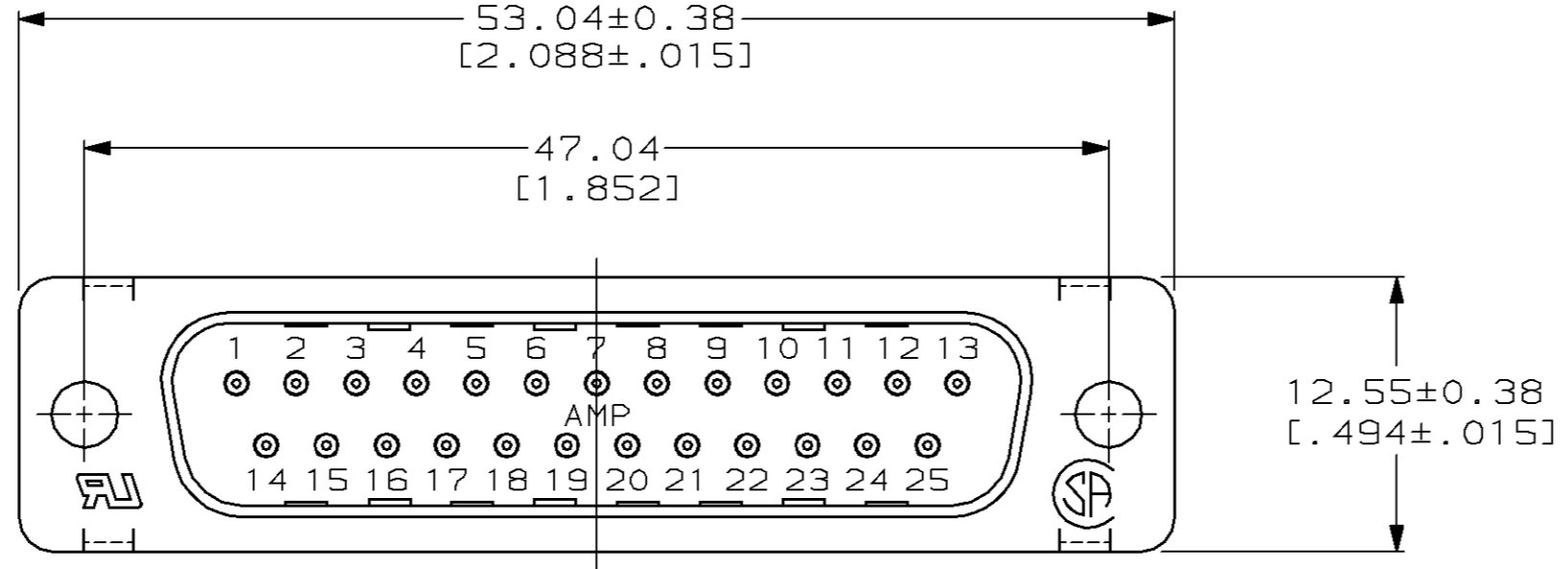
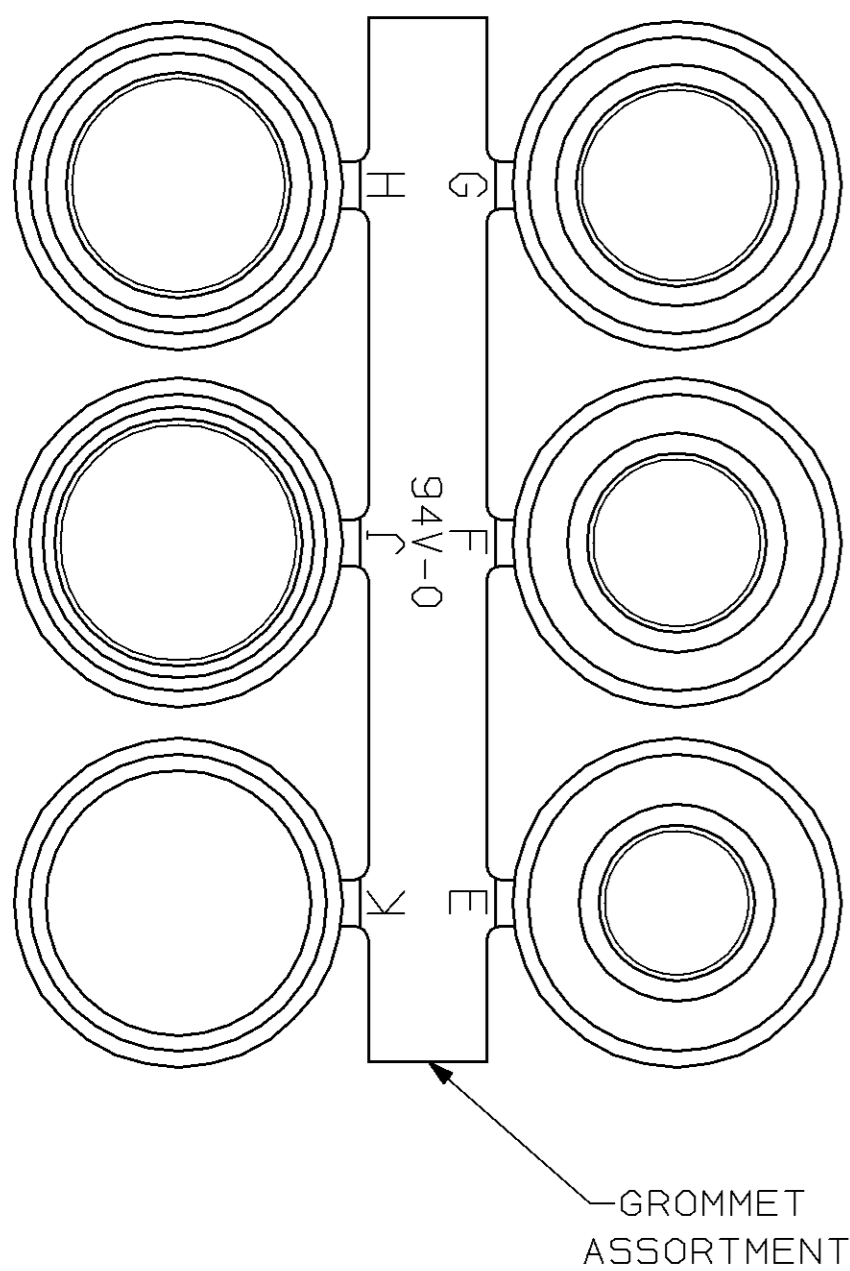
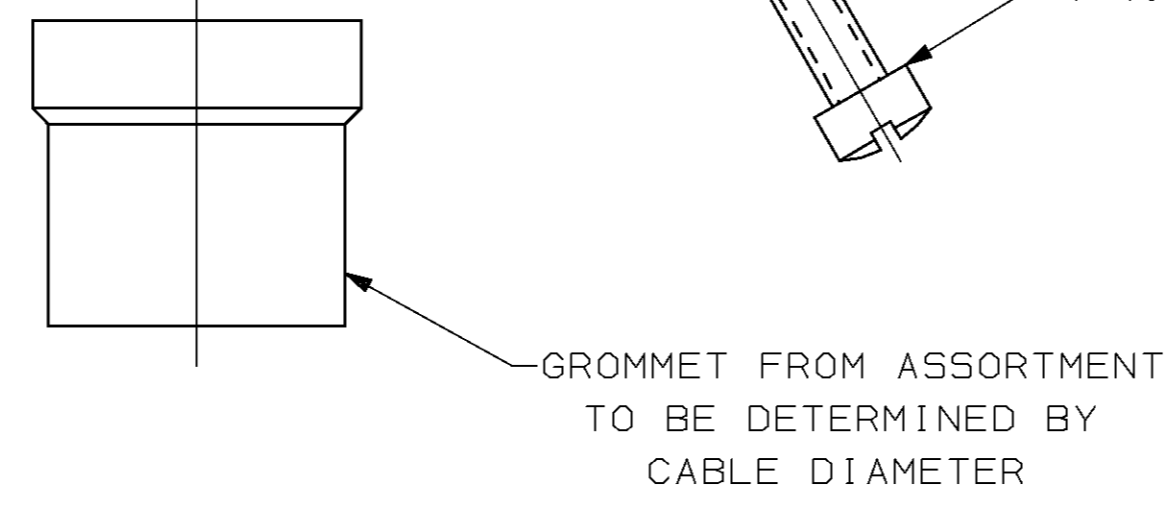


LOC		DIST		P		ZONE		LTR		REVISIONS		
BD			48							DESCRIPTION	DATE	APPD
										RELEASED -6 PER NPR 4777, WAS 93-5870-1-6	06/09/93	-
										REV PER EC 0020-309-95	05/04/95	JS
										REV PER EC 0020-881-95	25 AUG 95	JS



1. CONTACTS ACCEPT 22-26 AWG RANGE.
2. POLYESTER OR NYLON, GLASS FILLED, UL 94V-0 RATED, BLACK.
3. PVC, UL 94V-0 RATED, BLACK.
4. PHOSPHOR BRONZE PER ASTM B 103.
5. CARBON STEEL.
6. CABLE CLAMPS: ZINC; SCREWS & NUTS: CARBON STEEL.
7. GOLD PLATING PER MIL-G-45204; NICKEL PLATING PER QQ-N-290; TIN PLATING PER MIL-T-10727; COPPER PLATING PER MIL-C-14550; ZINC PLATING PER ASTM B633, TYPE III, CLASS SC1, CLEAR CHROMATE.
8. GOLD FLASH FOR A LENGTH OF 3.81 [0.150] MIN FROM MATING END, 2.54µm [0.000100] MIN TIN OR TIN-LEAD ON OPPOSITE END FOR A LENGTH OF 6.60 [0.260] MIN, BOTH OVER 0.76µm [0.000030] MIN NICKEL ON ENTIRE CONTACT.
9. 5.08µm [0.000200] MIN TIN OVER 1.27µm [0.000050] MIN COPPER.
10. MOUNTING SCREWS & NUTS: 3.81µm [0.000150] MIN ZINC; FILISTER HEAD SCREWS: ZINC.



THIS DRAWING IS A CONTROLLED DOCUMENT FOR AMP INCORPORATED. IT IS SUBJECT TO CHANGE AND THE CONTROLLING ENGINEERING ORGANIZATION SHOULD BE CONTACTED FOR THE LATEST REVISION.

DO NOT SCALE PRINT. UNLESS SPECIFIED DIMENSIONS IN mm [INCHES]		DR 06/09/93 D. GELTZ	SMALL PACK		749810-6	
TOLERANCES ON:		CHK 6-17-93 R. STONE	PACKAGING TYPE		PART NO	
2 PLC DEC ±0.13 [0.005]		APPD 6-25-93 S. BRINSER	AMP Incorporated Harrisburg, PA 17105-3608			
3 PLC DEC ± -		APPD 6-25-93 S. BRINSER				
ANGLES ± -		PRODUCT SPEC 108-40011	NAME PLUG KIT, UNASSEMBLED, SIZE 3, 25 POSITION, METAL SHELL, AMPLIMITE™ HDE-20			
MATERIAL		APPLICATION SPEC 114-40003	SIZE D	CAGE CODE 00779	DRAWING NO C-749810-6	
GROMMETS: 3 CONTACTS: 4		WEIGHT -	SCALE 3:1	SHEET 1 OF 1		
SHELLS: 3 HARDWARE: 4		CUSTOMER DRAWING				