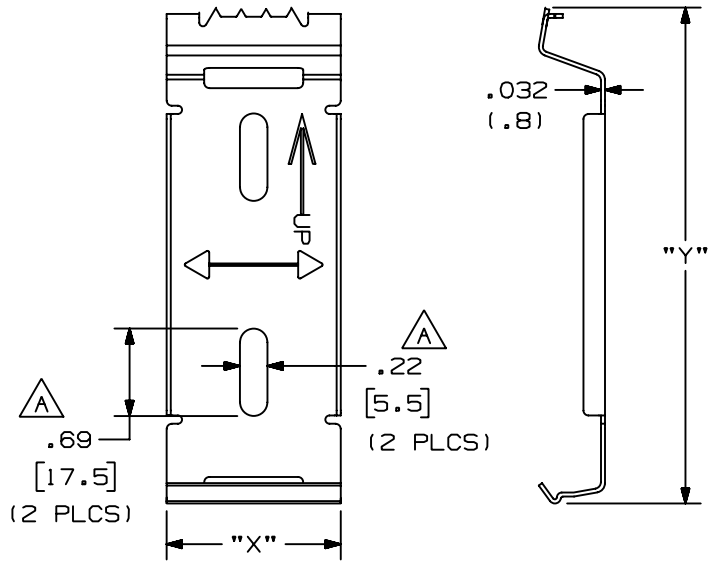


THIS COPY IS PROVIDED ON A RESTRICTED BASIS AND IS NOT TO BE USED IN ANY WAY DETRIMENTAL TO THE INTERESTS OF PANDUIT CORP.



PANDUIT PART NO. *	"X"	"Y"	WEIGHT
TMB105-X	1.37 (34.8)	3.89 (98.9)	.54 LB/10 PCS (246 g/10 PCS)
TMB130-X		4.88 (123.9)	.66 LB/10 PCS (300 g/10 PCS)
TMB170-X		6.46 (164.1)	.90 LB/10 PCS (410 g/10 PCS)

NOTES:

- \* 1. SEE CURRENT CATALOG FOR ADDITIONAL PART NUMBER SUFFIXES TO INDICATE COLOR AND OR PACKAGE QUANTITY.
- 2. THIS PART ACCOMMODATES PAN-WAY TYPE TD RACEWAY.
- 3. DIMENSIONS IN PARENTHESES ARE IN METRIC.

CAD FILENAME/LAYERS D34518\_TMB\_MTG BKT\_C\_01

PANDUIT CORP. TINLEY PARK, ILLINOIS

TD RACEWAY MOUNTING BRACKET  
(TMB105, TMB130, TMB170)  
CUSTOMER DRAWING

UNLESS OTHERWISE SPECIFIED,  
DIMENSIONAL TOLERANCES ARE:  
(.X) ± (.XXX) ± .010(.3)  
(.XX) ± .03(.8) ANGLES ±

UNLESS OTHERWISE SPECIFIED,  
ALL DIMENSIONS ARE GIVEN  
IN INCHES, THIRD ANGLE PROJECTION.

REV	DATE	BY	CHK	DESCRIPTION	ECN	R	CUST	SUP
1	07-11-94	DW	CEF	A. ADDED DIMENSIONS TO SLOT.	34518-24	CEF	CEF	
R	12-01-93	DW	CEF	RELEASED TO PRODUCTION	34518-24	CEF		

DRAWN BY DW	MAT'L: 21 GA. (.032") COLD ROLLED STEEL	SCALE NONE
DATE 12-01-93		DRAWING NO. 34518-24
CHK'D CEF		DWG SIZE A