

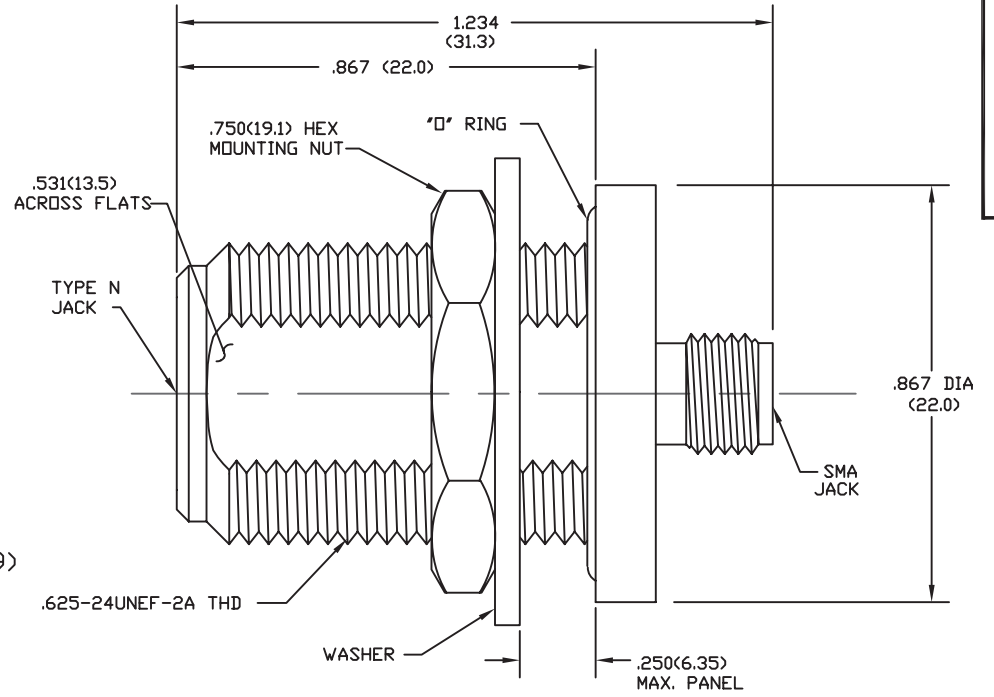
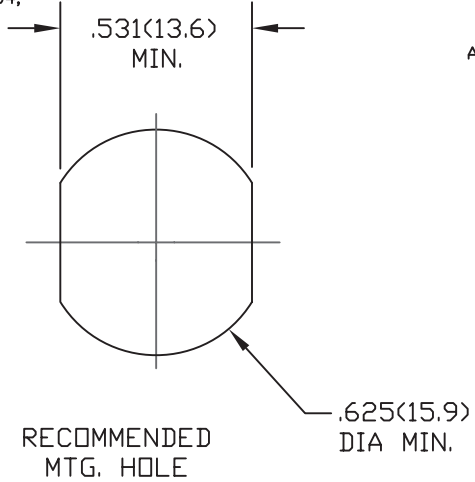
MODEL NUMBER  
ADT-2840-NF-SMF-02

NOTES:

- 1.0 MATERIALS:  
 1.1 HOUSING, NUT & WASHER: STAINLESS STEEL PER ASTM-A582, TYPE 303  
 1.2 CENTER CONTACT: BERYLLIUM COPPER ROD ALLOY C172, PER ASTM-B196.  
 1.3 DIELECTRIC: PTFE FLUOROCARBON PERASTM-D1457.

- 2.0 PLATING:  
 2.1 HOUSING, NUT & WASHER: PASSIVATED PER MIL-F-14072 AND QQ-P-35  
 2.2 CENTER CONTACT: GOLD PER MIL-G-45204, TYPE II, CLASS 2.


- 3.0 ELECTRICAL SPECIFICATIONS.  
 3.1 FREQUENCY RANGE: DC-18.0 GHz  
 3.2 VSWR: 1.20:1 MAX.



REV.	DESCRIPTION	DATE
-	RELEASED	10/23/92
A	ECN 17966	5/23/01

**NOTICE:** The information contained in this drawing is proprietary and must not be used without the permission of Cinch Connectivity Solutions.

**UNLESS OTHERWISE NOTED DIMENSIONS ARE IN INCHES AND TOLERANCES ARE:**  
 3 PLACE DECIMALS ±.005  
 2 PLACE DECIMALS ±.02  
 FRACTIONS ±1/64  
 PARALLELITY: T.I.R.  
 FLATNESS: T.I.R.  
 CONCENTRICITY: T.I.R.  
 ANGLES AND PERPENDICULARITY: ±1'

CAGE CODE <b>34078</b>		<b>MIDWEST MICROWAVE</b>	
 <b>cinch</b> CONNECTIVITY SOLUTIONS a bel group		TITLE <b>ADAPTER OUTLINE DRAWING</b>	
		DRAWN/DATE M.HOLLMANN 10/21/92	ENG./DATE A.J.O. 10/22/92
CHECKED/DATE A.BEATY 10/22/92	APPROVED/DATE C.RIGGE 5/23/01	SCALE: 5=1	SHEET 1 of 1