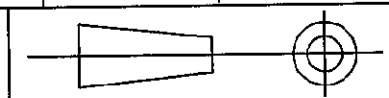
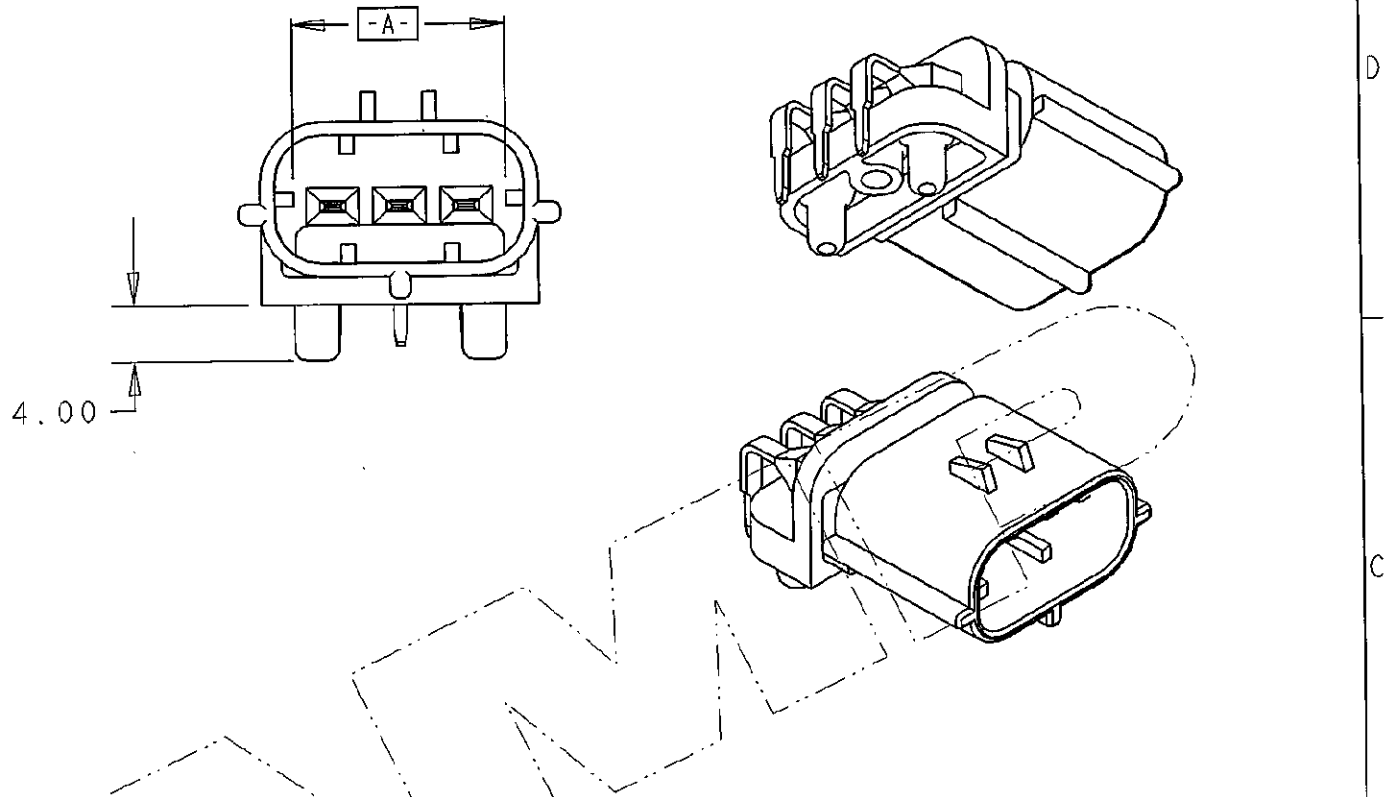
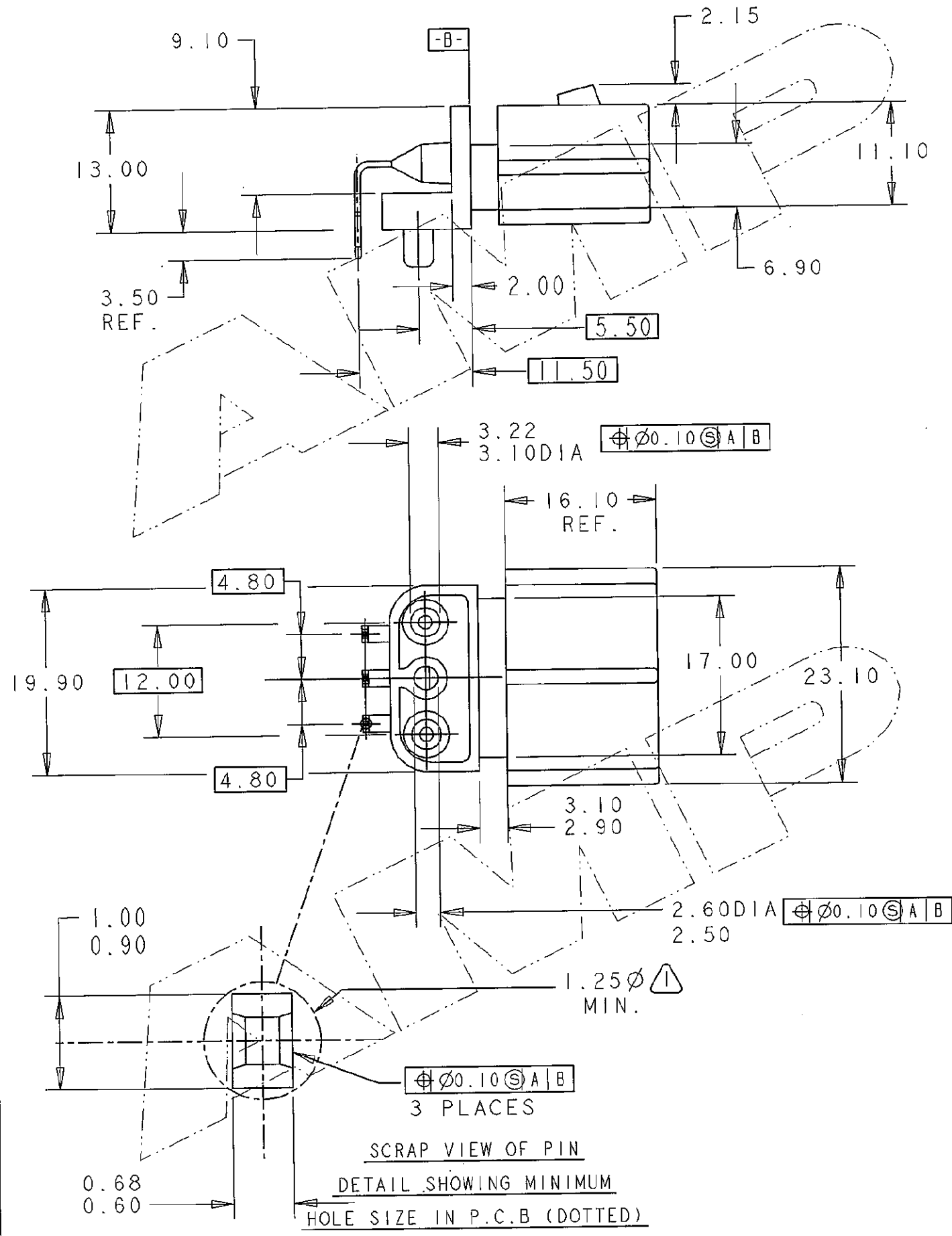


DO NOT SCALE

DIMENSIONS IN MM.



345361



NOTES

- ⚠ P.C.B. HOLE SIZE ϕ 1.35 mm
1.25
- FINISH TO BE FINE SPARKED (VDI 23)
- TABS TEMPER 4 BRASS. TIN-LEAD LEGS, GOLD TABS.

-		-		-	
BLACK (Straight tabs)		13% G.F. NYLON 66		1-345361-1	
BLACK		13% G.F. NYLON 66		345361-1	
COLOUR		MATERIAL		PART NUMBER	
CUSTOMER DWG FOR REFERENCE ONLY		© COPYRIGHT 1990 BY AMP OF GREAT BRITAIN LTD. ALL INTERNATIONAL RIGHTS RESERVED. ALL PRODUCTS MAY BE COVERED BY BRITISH AND FOREIGN PATENTS AND/OR PATENTS PENDING.		RELEASED FOR PUBLICATION 15 JAN 1990	
-		TOLERANCES UNLESS OTHERWISE STATED :		DR. A. J. Minnis 15:01:90	
-		DEC \pm 0.5		CH. R.W.BAKER APP. R.W.BAKER	
-		ANGLES \pm 1°		AMP of Great Britain Ltd. TERMINAL HOUSE STANMORE MIDD.	
A	EB00-0479-99	J.Ambrose	21/9/99	NAME 3 WAY HEADER	
0	SEE EB00-0365-99	J.Ambrose	05:07:99	FOR ECONOSEAL 3 - WIRE TO BOARD	
3	F.WHEELER-KING	C5948	08/11/91	SCALE	LOC
2	A. J. Minnis	C5540	23:5:90	SIZE	DWG.No.
1	A. J. Minnis	-	15:01:90	2/1	E A 3
REV	APPROVED	ECN	DATE	C345361	REV SHEET
				A	1/1