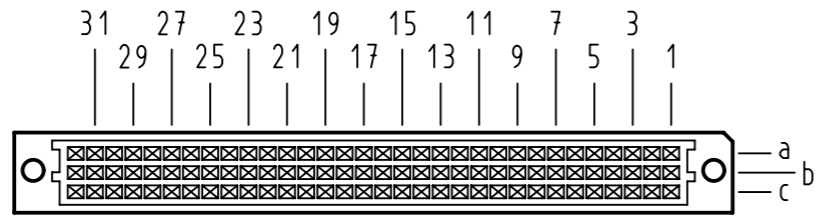


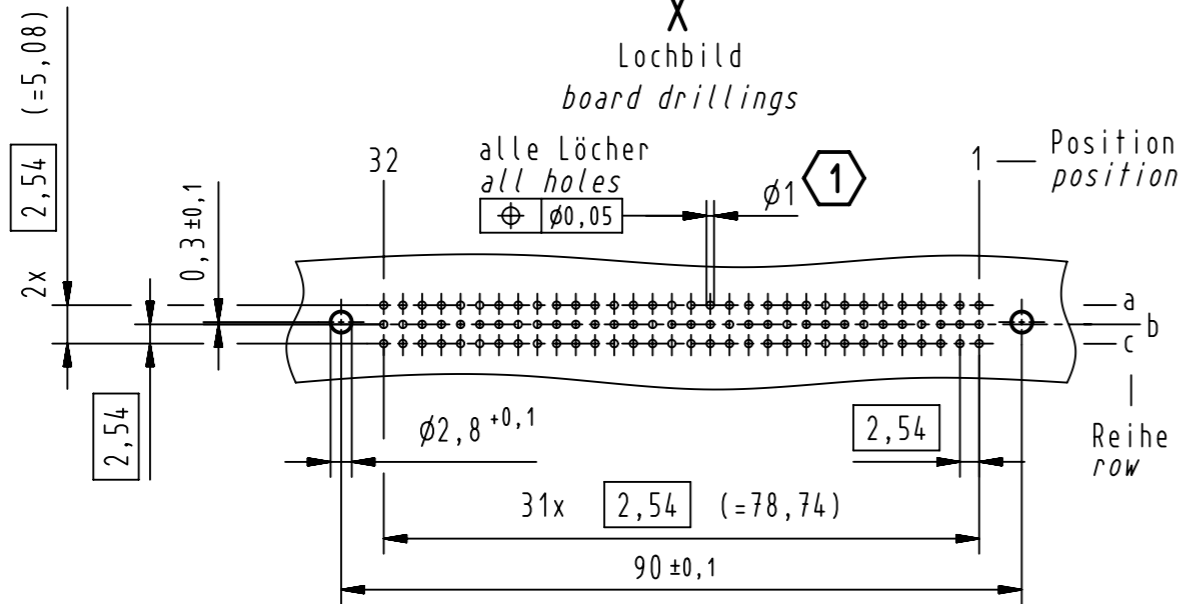
X
Kontaktanordnung
contact arrangement

96 Einpress Kontakte
96 press-in contacts

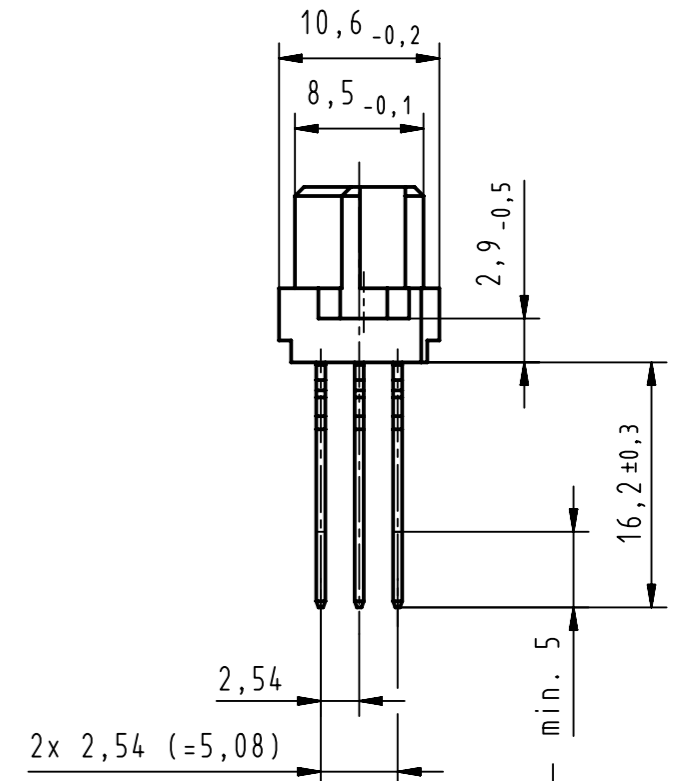


- ☒ = Kontaktposition belegt
= position with contact
- ☐ = Kontaktposition nicht belegt
= position without contact

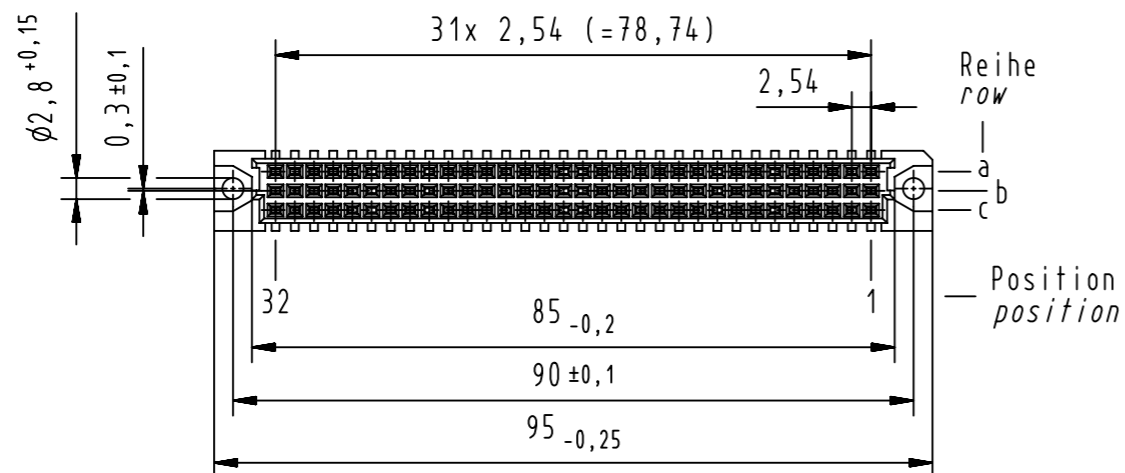
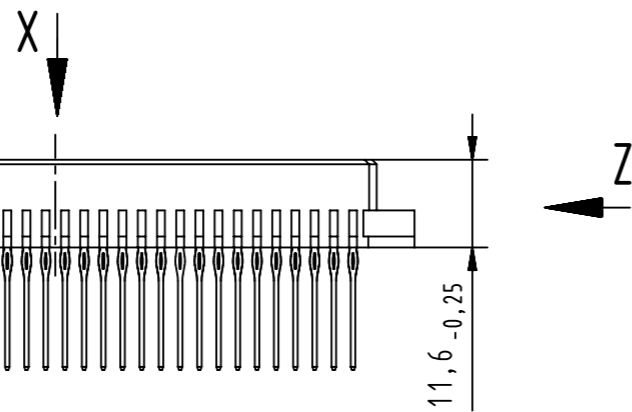
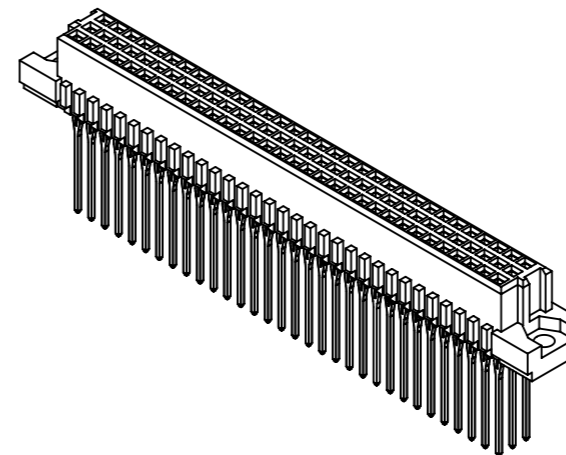
X
Lochbild
board drillings



Z (2:1)



Steckbereich entspricht AFS 3
mating zone equal pl 3



①

Empfohlener Lochaufbau und
weitere Informationen siehe: DS 09 03 210 00 02
recommended configuration of plated through holes
and further information see: DS 09 03 210 00 02

09 03 296 6411	2
Bestell-Nr. part-no.	Anforderungsstufe performance level ①

All Dimensions in mm Original Size DIN A3		Scale 1:1	Free size tol. IEC 60603-2	Ref. Sub. TB 0903296x411 Mod.33052 22.08.25	
All rights reserved Department EC PD - DE	Created by HAGEMEYERE	Inspected by LEHNERT	Standardisation HOFFMANN	Date 2013-01-15	State Final Release
	Title DIN Signal type C female press-in 16.2mm				Doc-Key / ECH-Nr. 100072194/UGD/065/B 50000057951
HARTING Electronics GmbH D-32339 Espelkamp		Type TB	Number 0903296X411	Rev. B	Page 1/1