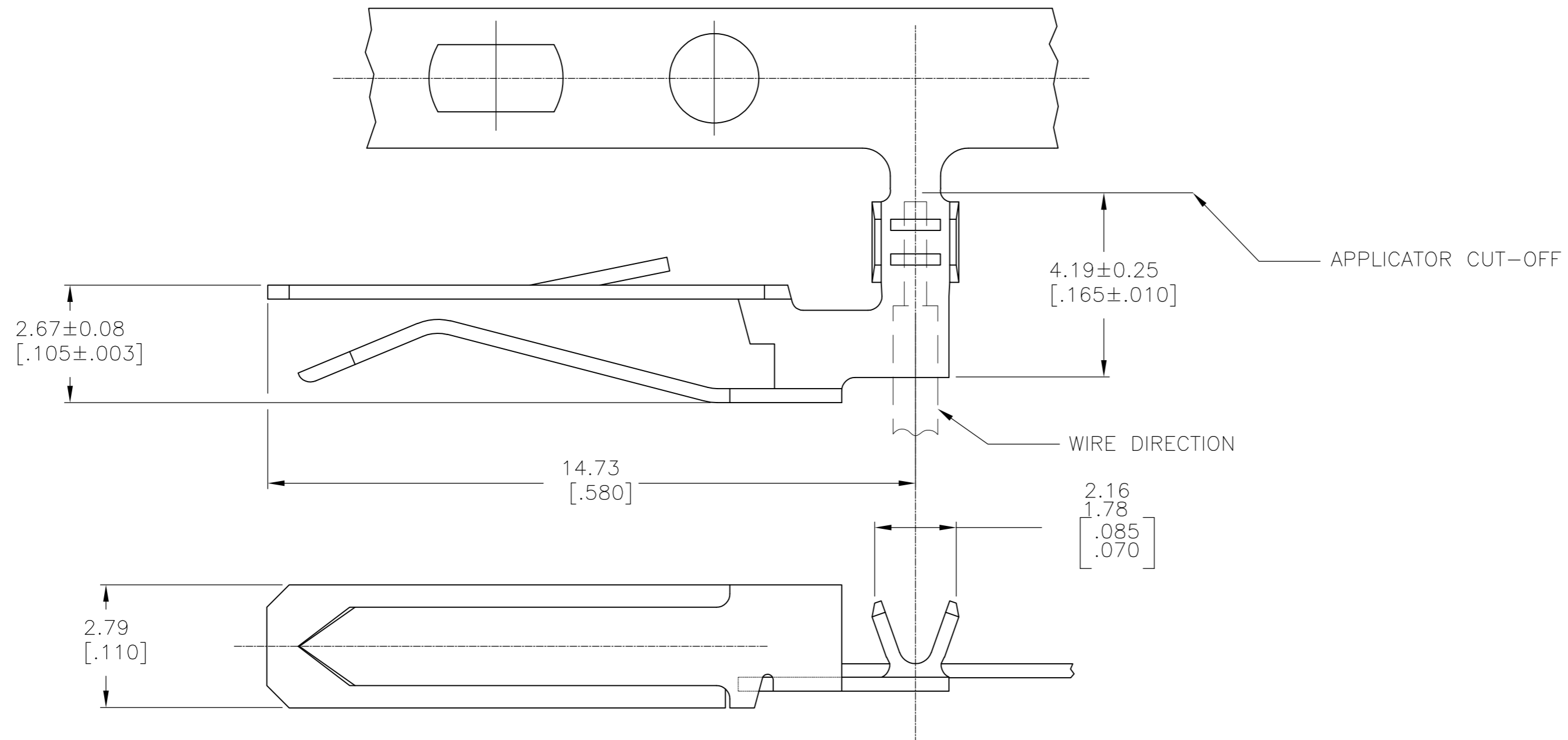


THIS DRAWING IS UNPUBLISHED. RELEASED FOR PUBLICATION
 © COPYRIGHT BY TYCO ELECTRONICS CORPORATION. ALL RIGHTS RESERVED.

LOC		DIST		REVISIONS			
P	LTR	DESCRIPTION		DATE	DWN	APVD	
CM	0	H		REVISED PER ECO-07-010173	01MAY07	KW DB	

1. DIMENSION IN BRACKETS ARE IN INCHES
2. WIRE RANGE: 26-22 AWG (0.12-0.4mm²).



SUPERSEDED BY 640556-3	TIN	640556-3
	TIN-LEAD	640556-1
	FINISH	PART NO

THIS DRAWING IS A CONTROLLED DOCUMENT.		DWN	19SEP91	Tyco Electronics Corporation Harrisburg, PA 17105-3608	
DIMENSIONS: mm [INCHES]		CHK	19SEP91	NAME	
TOLERANCES UNLESS OTHERWISE SPECIFIED:		APVD	19SEP91	CONTACT, CRIMP SNAP-IN, MTA-156	
0 PLC ± -		PRODUCT SPEC		SIZE	CAGE CODE
1 PLC ± -		APPLICATION SPEC		A2	00779
2 PLC ± -				SCALE	DRAWING NO
3 PLC ± 0.13 [.005]				10:1	C-640556
4 PLC ± -				SHEET	RESTRICTED TO
ANGLES ± -				1 OF 1	-
MATERIAL	FINISH	WEIGHT		REV	H
0.30 [.012] THK COPPER ALLOY	0.00203 [.000080] MIN THK MATTE TIN	-			
CUSTOMER DRAWING					

