

# Customer Information Sheet

DRAWING No.: M80-868XXXX

SHEET 2 OF 2

IF IN DOUBT - ASK

(C)

NOT TO SCALE

THIRD ANGLE PROJECTION

ALL DIMENSIONS IN mm

**SPECIFICATIONS:**

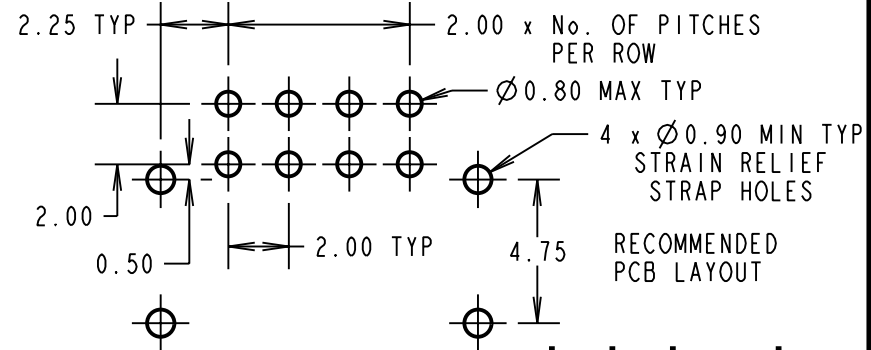
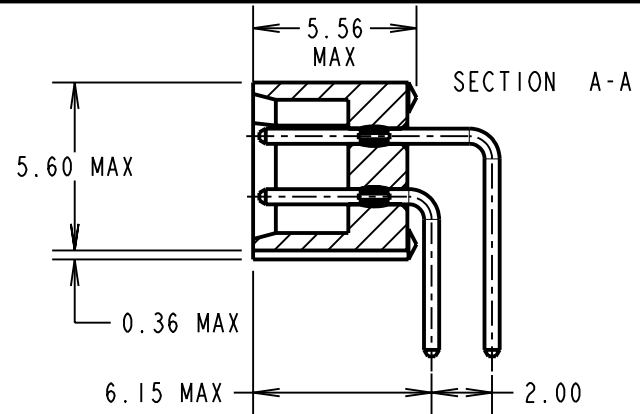
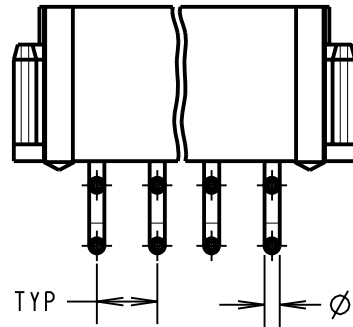
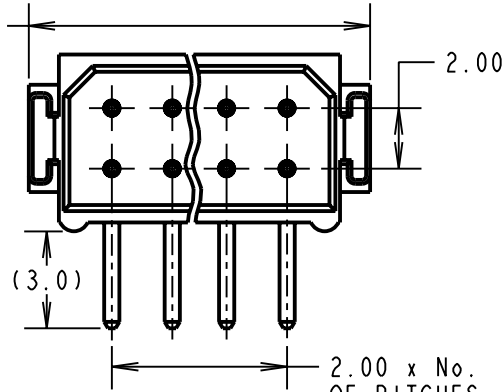
**MATERIAL:**  
 MOULDING = GLASS FILLED PBT,  
 UL94V-0, BLACK  
**CONTACTS = PHOSPHOR BRONZE**  
**FINISH:**  
**CONTACTS:**  
 22 = 0.75µ GOLD ON CONTACT AREA,  
 3.0µ 90/10 TIN/LEAD ON TAILS  
 05 = 0.75µ GOLD

2.00 x No. OF WAYS  
 PER ROW + 3.55 MAX

**ELECTRICAL:**  
 CURRENT RATING (25°C) = 3.0A MAX.  
 CURRENT RATING (85°C) = 2.2A MAX.  
 WORKING VOLTAGE = 120V AC/DC  
 VOLTAGE PROOF = 360V AC/DC  
 CONTACT RESISTANCE (INITIAL) = 20 mΩ MAX.  
 CONTACT RESISTANCE (AFTER CONDITIONING) = 25 mΩ MAX.  
 INSULATION RESISTANCE (INITIAL) = 1000 MΩ MIN.  
 INSULATION RESISTANCE (AFTER CONDITIONING) = 100 MΩ MIN.

**MECHANICAL:**  
 DURABILITY = 500 OPERATIONS  
**ENVIRONMENTAL:**  
 TEMPERATURE RANGE = -55°C TO +125°C

**PACKING:**  
 TUBE  
 FOR COMPLETE SPECIFICATION, SEE COMPONENT  
 SPECIFICATION C005XX (LATEST ISSUE)



2.00 TYP      Ø0.50 TYP

BRITISH STANDARD ORDER CODE:  
**B5743-2XX-M-L-X**

TOTAL No. OF WAYS  
 04, 06, 08, 10, 12, 14, 16,  
 18, 20, 26, 34, 44

FINISH:  
 0 = SELECTIVE GOLD  
 2 = GOLD

ORDER CODE:

**M80-868XXXX**

TOTAL No. OF WAYS  
 04, 06, 08, 10, 12, 14, 16,  
 18, 20, 26, 34, 44

FINISH:  
 05 = GOLD  
 22 = SELECTIVE GOLD

CP	14	01.10.09	10303
NAME	ISS.	DATE	C/NOTE
APPROVED: C.PENROSE			
CHECKED: R.ADDE			
DRAWN: W. J. BOURNE			
CUSTOMER REF.:			
ASSEMBLY DRG:			

- NOTES:**
- 2-OFF STRAIN RELIEF STRAPS M80-0030006 ARE INCLUDED WITH EACH CONNECTOR
  - FOR RoHS COMPLIANT EQUIVALENT PRODUCT USE M80-841XXXX

**HARWIN**

HARWIN USA TEL: 603 893 5376 FAX: 603 893 5396 mis@harwin.com	HARWIN Europe (UK) TEL: 023 9231 4545 FAX: 023 9231 4590 mis@harwin.co.uk	HARWIN Asia TEL: +65 6 779 4909 FAX: +65 6 779 3868 mis@harwin.com.sg
--	--	--

THIS DRAWING AND ANY INFORMATION OR DESCRIPTIVE MATTER SET OUT HEREON ARE CONFIDENTIAL AND COPYRIGHT PROPERTY OF THE HARWIN GROUP AND MUST NOT BE DISCLOSED, LOANED, COPIED OR USED FOR MANUFACTURING, TENDERING OR FOR ANY OTHER PURPOSE WITHOUT THEIR WRITTEN PERMISSION.

**TOLERANCES**  
 X. = ±1mm  
 X.X = ±0.25mm  
 X.XX = ±0.10mm  
 X.XXX = ±0.01mm  
**ANGLES = ±5°**  
 UNLESS STATED

**MATERIAL:**  
 SEE ABOVE  
**FINISH:** SEE ABOVE  
**S/AREA:** mm<sup>2</sup>

**TITLE:** DATAMATE DIL  
 HORIZONTAL MALE PC TAIL  
 ASSEMBLY - UNLATCHED

**DRAWING NUMBER:**  
**M80-868XXXX**

SHT  
 2 OF 2