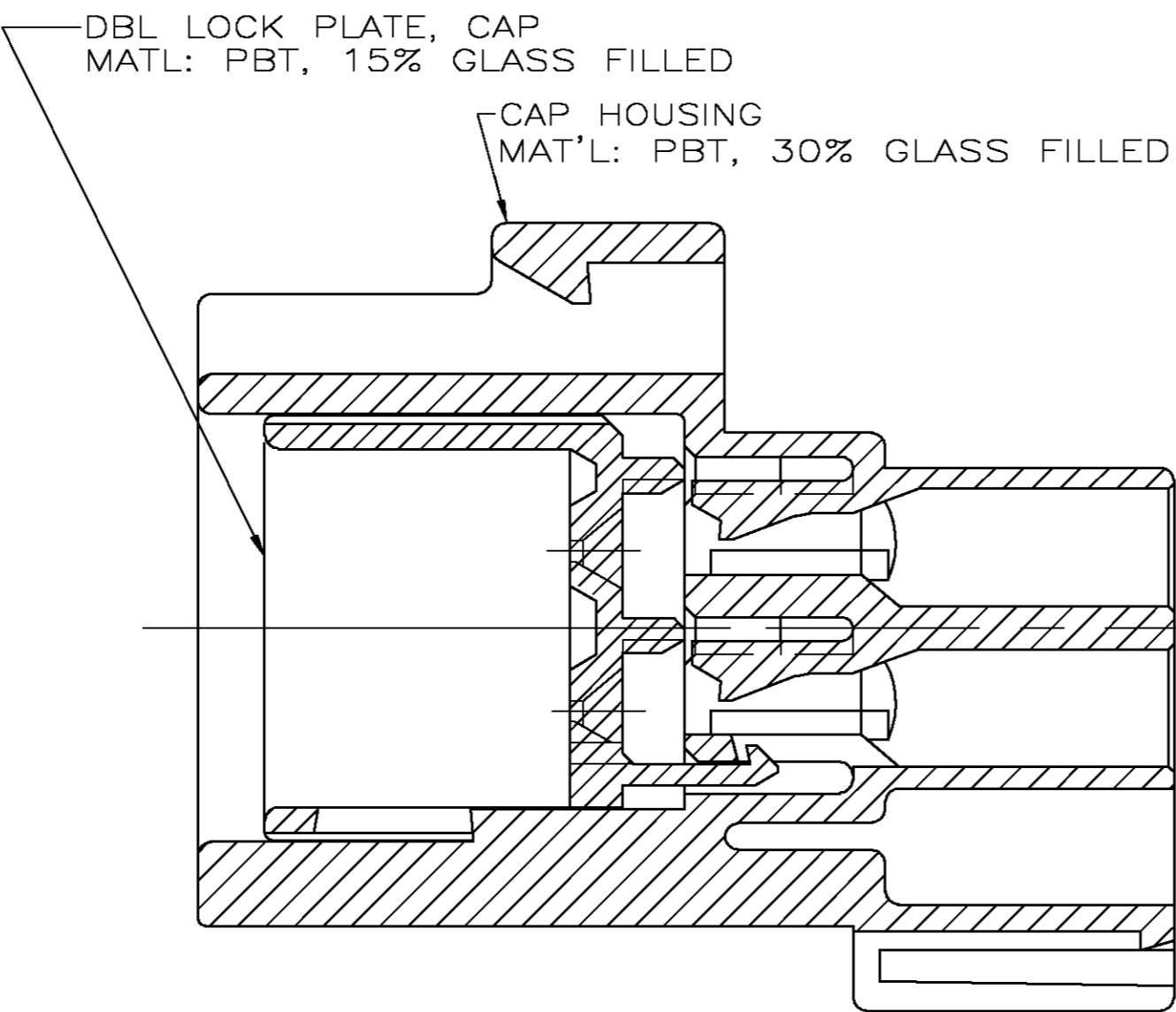
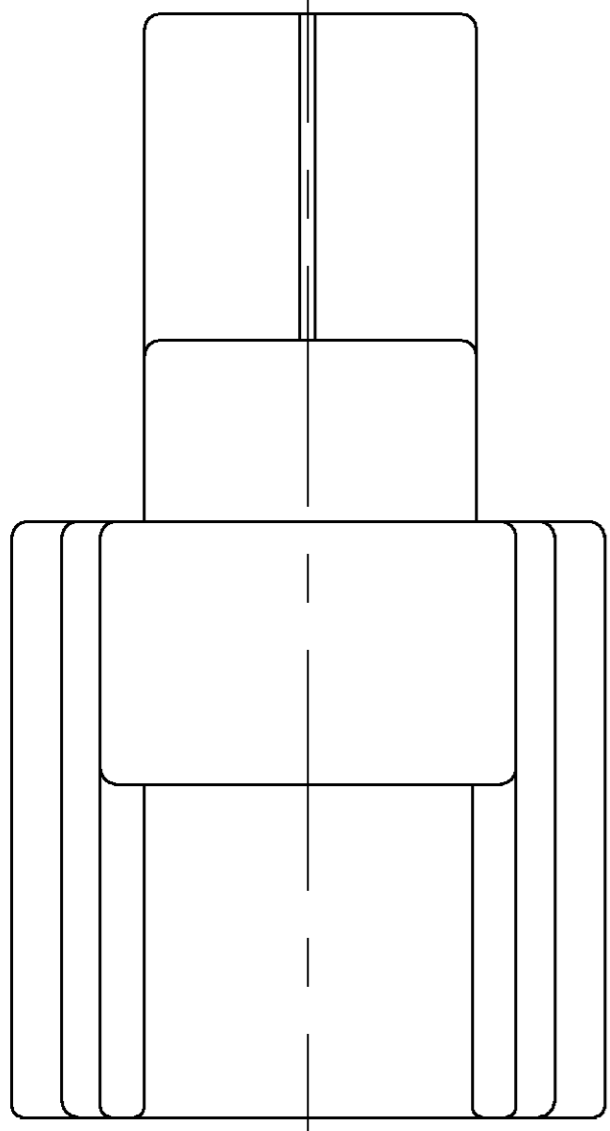
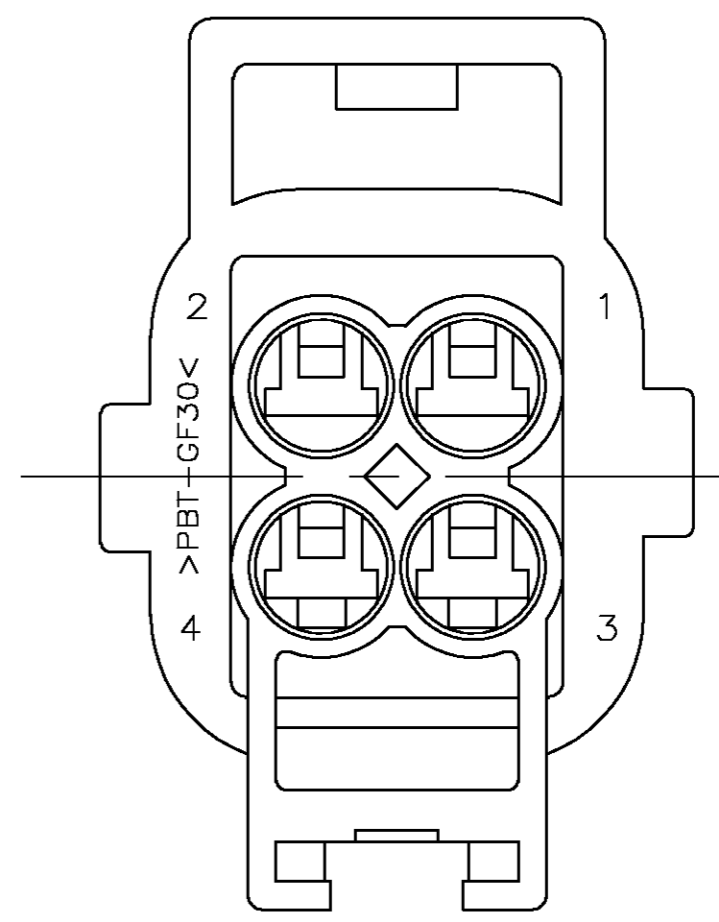
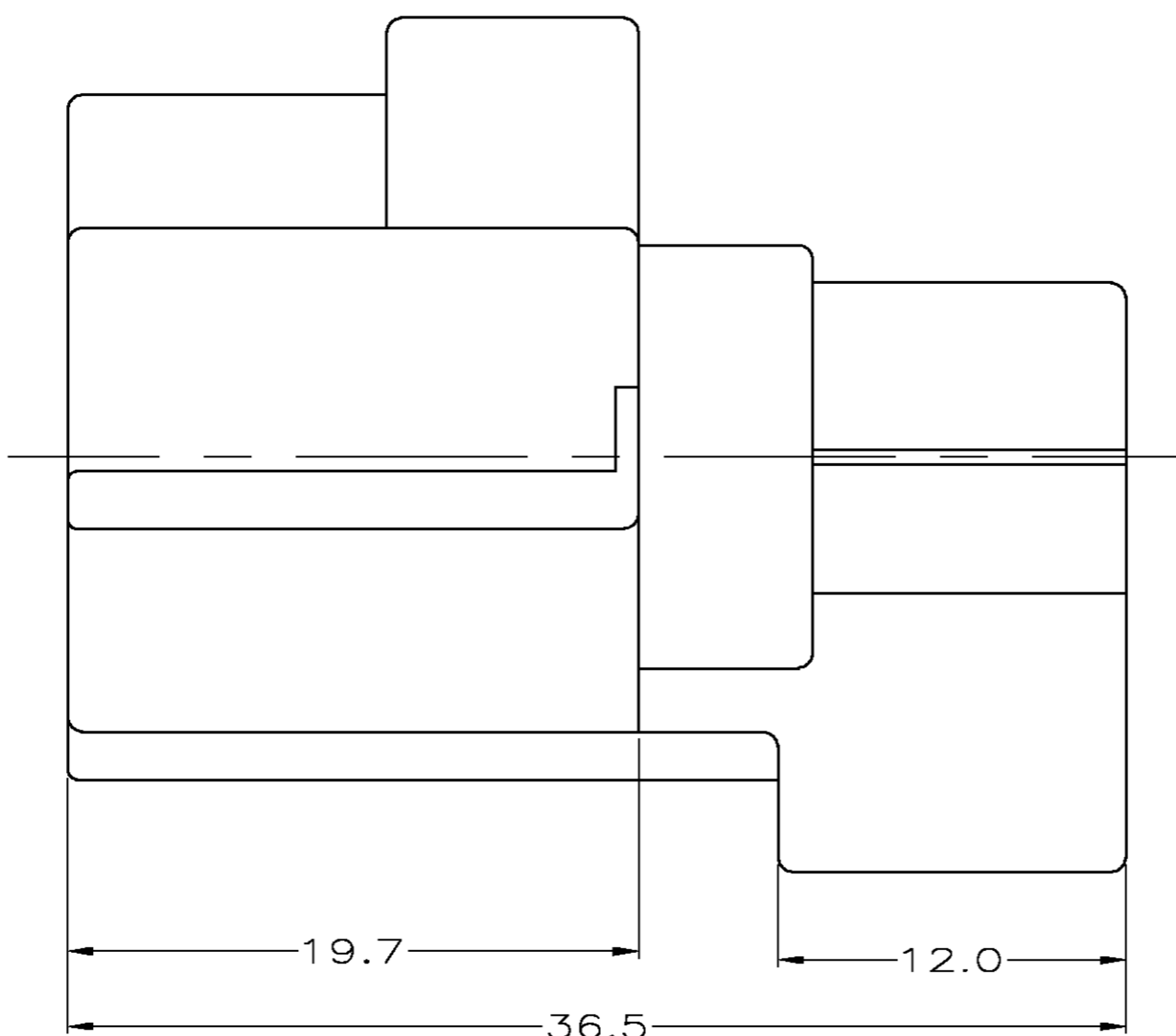
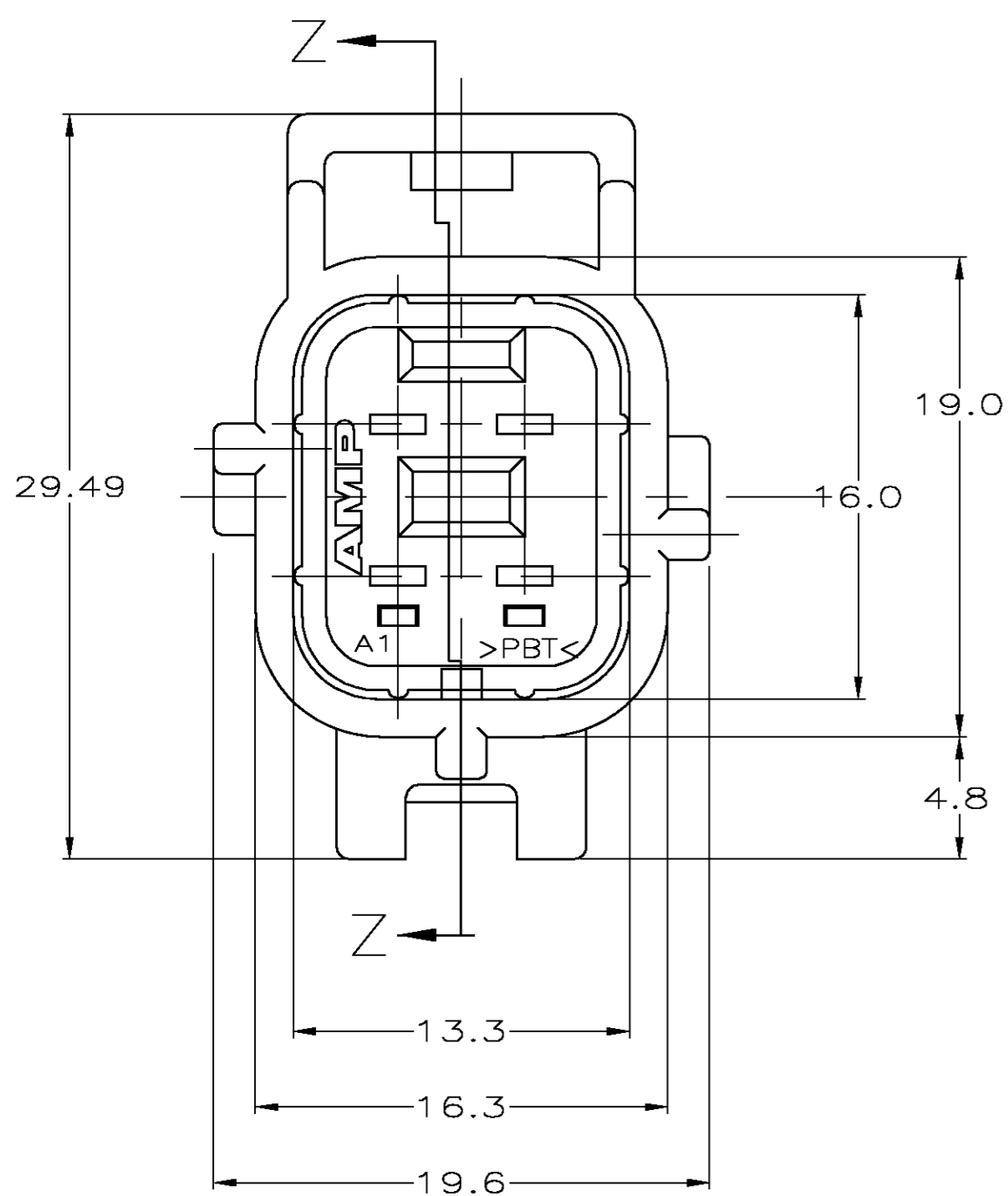


THIS DRAWING IS UNPUBLISHED. RELEASED FOR PUBLICATION  
 © COPYRIGHT BY TYCO ELECTRONICS CORPORATION. ALL RIGHTS RESERVED.

LOC	DIST	REVISIONS					
GE	00	P	LTR	DESCRIPTION	DATE	DWN	APVD
		G		EC 0K40-0014-03	03FEB03	JRB	KLC



SECTION Z-Z  
SCALE 4:1



GRAY	184355-2
BLACK	184355-1
CAP COLOR	PART NUMBER

THIS DRAWING IS A CONTROLLED DOCUMENT.		DWN P. YEAGER 02AUG99	Tyco Electronics Corporation Harrisburg, PA 17105-3608	
DIMENSIONS: MM		CHK G. INHOFFER 02AUG99	NAME 2 X 2 CAP ASY, KEY B-C3	
TOLERANCES UNLESS OTHERWISE SPECIFIED:		APVD G. INHOFFER 02AUG99	PRODUCT SPEC	
0 PLC ± -		APPLICATION SPEC		
1 PLC ± 0.3		WEIGHT		
2 PLC ± 0.30		SIZE A2		
3 PLC ± -		CAGE CODE 00779		
4 PLC ± -		DRAWING NO C=184355		
ANGLES ± -		RESTRICTED TO		
FINISH		SCALE 4:1		
MATERIAL		SHEET 1 OF 1		
		REV G		
		CUSTOMER DRAWING		