

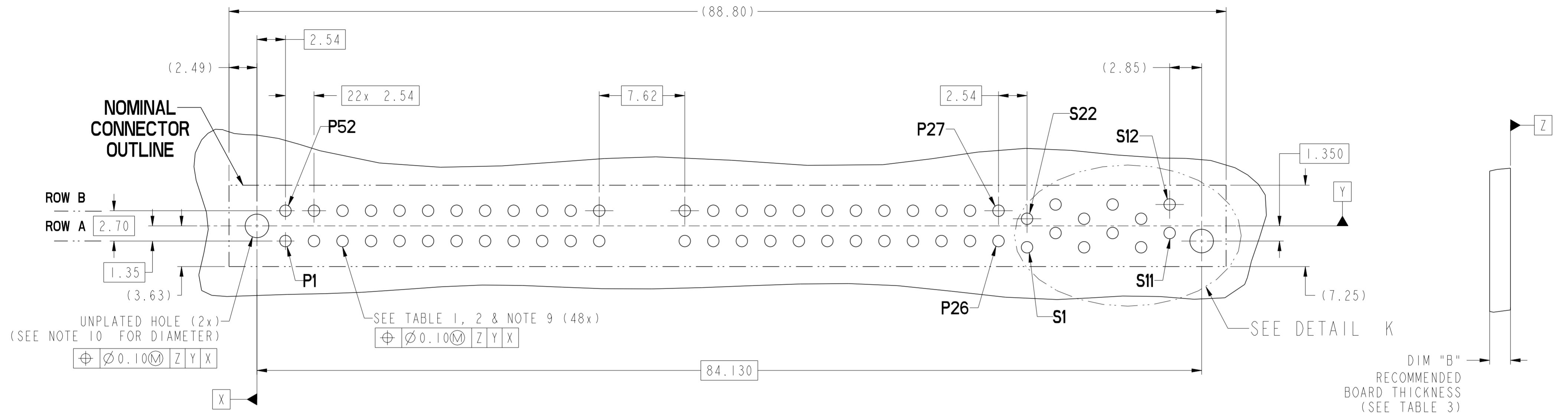
SECTION C-C

SECTION D-D

rev	ecn no	dr	date
A	-	JW	2013-06-07
-	-	-	-
-	-	-	-
-	-	-	-
-	-	-	-
-	-	-	-

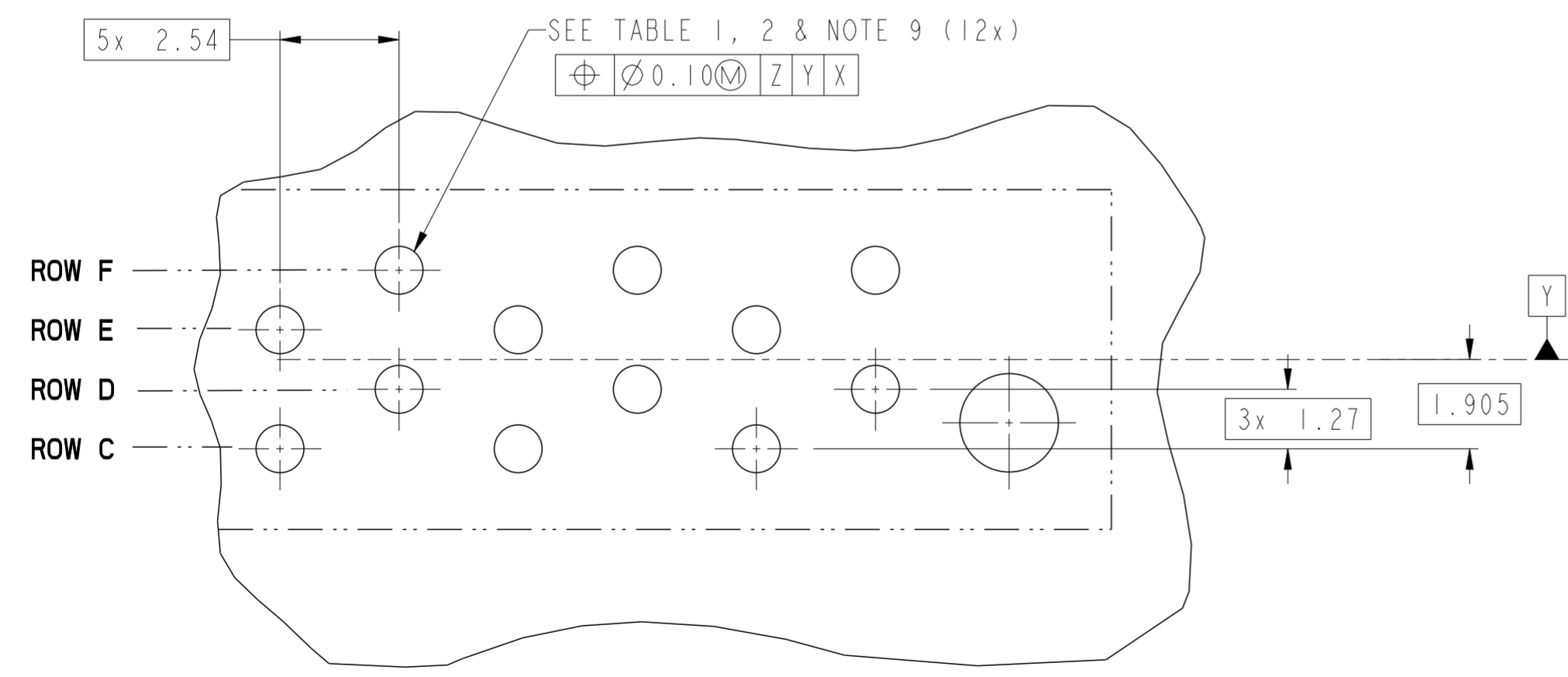
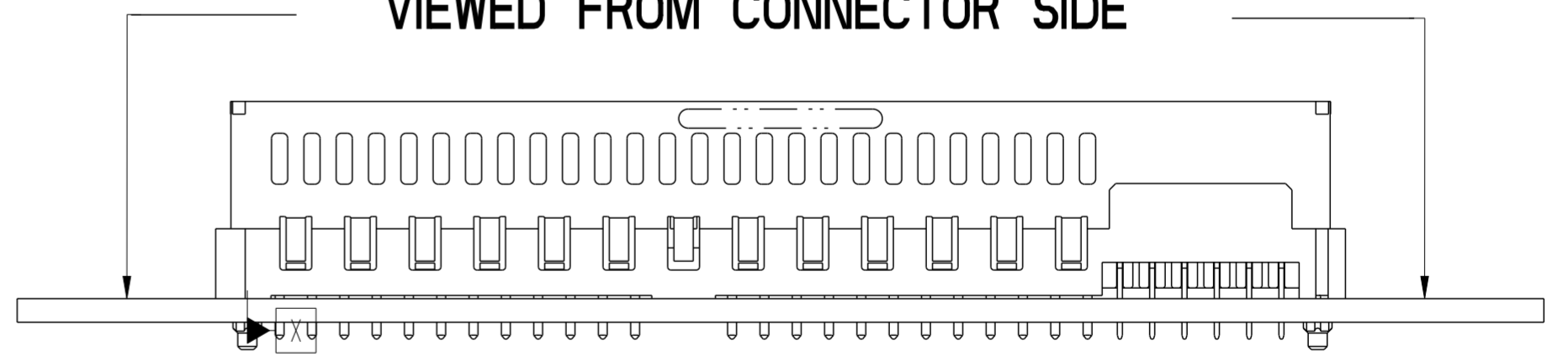
spec ref	-	dr	Wei-Long Zhang	2012/02/16	projection	MM	size	A2	scale	4:1
tolerance std	ASME Y14.5	eng	Julia Wang	2013/06/08	chr	-	ecn no	-	rel level	Released
surface	✓	appr	Pai-Ming Zheng	2013/06/08	product family	CARD EDGE	cat. no.	10120159	rev	A
ASME Y14.5	linear	0.X	±0.5	0.XX	±0.25	0.XXX	±0.10	angular	0°	±2°
TOLERANCES UNLESS OTHERWISE SPECIFIED		www.fci.com		VERT RECT ASM (52P-22S) HIGH POWER CARD EDGE(SPECIAL)		Product - Customer Drw		sheet 1 of 4		

NOMINAL CONNECTOR OUTLINE



DIM "B"
RECOMMENDED BOARD THICKNESS
(SEE TABLE 3)

RECOMMENDED PCB LAYOUT
VIEWED FROM CONNECTOR SIDE

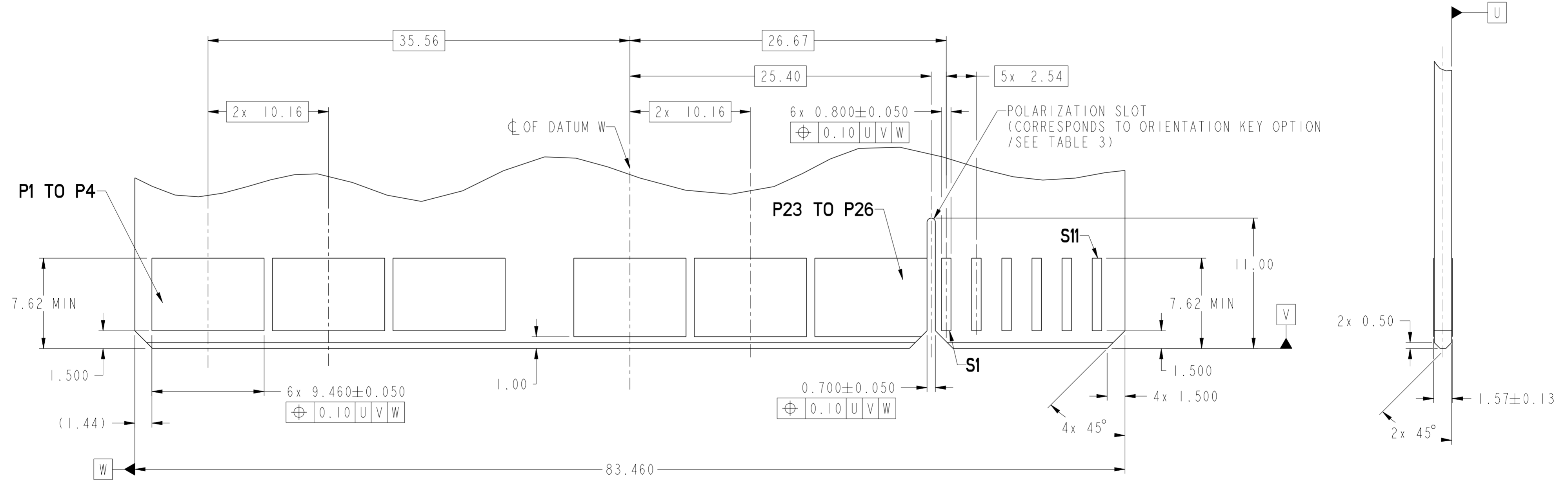


DETAIL K
SCALE 8:1

dr	Wei-Long Zhang	2012/02/16	projection	MM	size	A2	scale	4:1
eng	Julia Wang	2013/06/08			ecn no.	-	rel level	Released
chr	-	-			product family	CARD EDGE		
appr	Pei-Ming Zheng	2013/06/08			cat. no.	-	Product - Customer Drw	sheet 2 of 4
title VERT RECT ASM (52P-22S) HIGH POWER CARD EDGE(SPECIAL)			dwg no. 10120159		rev A			

CONTACT TYPE	TOP LAYER DESCRIPTION	TABLE 1 (HPCE / SOLDER TAILS) PLATED THROUGH-HOLE REQUIREMENTS				
		DRILLED HOLE DIAMETER	COPPER THICKNESS	TIN-LEAD THICKNESS	TIN THICKNESS	FINISHED HOLE DIAMETER
POWER & SIGNAL	TIN-LEAD	1.10-1.16 (1.15 DRILL)	0.025 - 0.050	0.005 - 0.015	--	0.94 - 1.10
	IMMERSION TIN	1.10-1.16 (1.15 DRILL)	0.025 - 0.050	--	0.9 - 1.5um	0.94 - 1.10
	COPPER (SEE NOTE 8)	1.10-1.16 (1.15 DRILL)	0.025 - 0.050	--	--	0.94 - 1.10

CONTACT TYPE	TOP LAYER DESCRIPTION	TABLE 2 (HPCE / PRESS-FIT TAILS) PLATED THROUGH-HOLE REQUIREMENTS				
		DRILLED HOLE DIAMETER	COPPER THICKNESS	TIN-LEAD THICKNESS	TIN THICKNESS	FINISHED HOLE DIAMETER
POWER & SIGNAL	TIN-LEAD	0.81-0.86 (0.85 DRILL)	0.025 - 0.050	0.005 - 0.015	--	0.65 - 0.80
	IMMERSION TIN	0.81-0.86 (0.85 DRILL)	0.025 - 0.050	--	0.9 - 1.5um	0.70 - 0.80
	COPPER (SEE NOTE 8)	0.81-0.86 (0.85 DRILL)	0.025 - 0.050	--	--	0.70 - 0.80

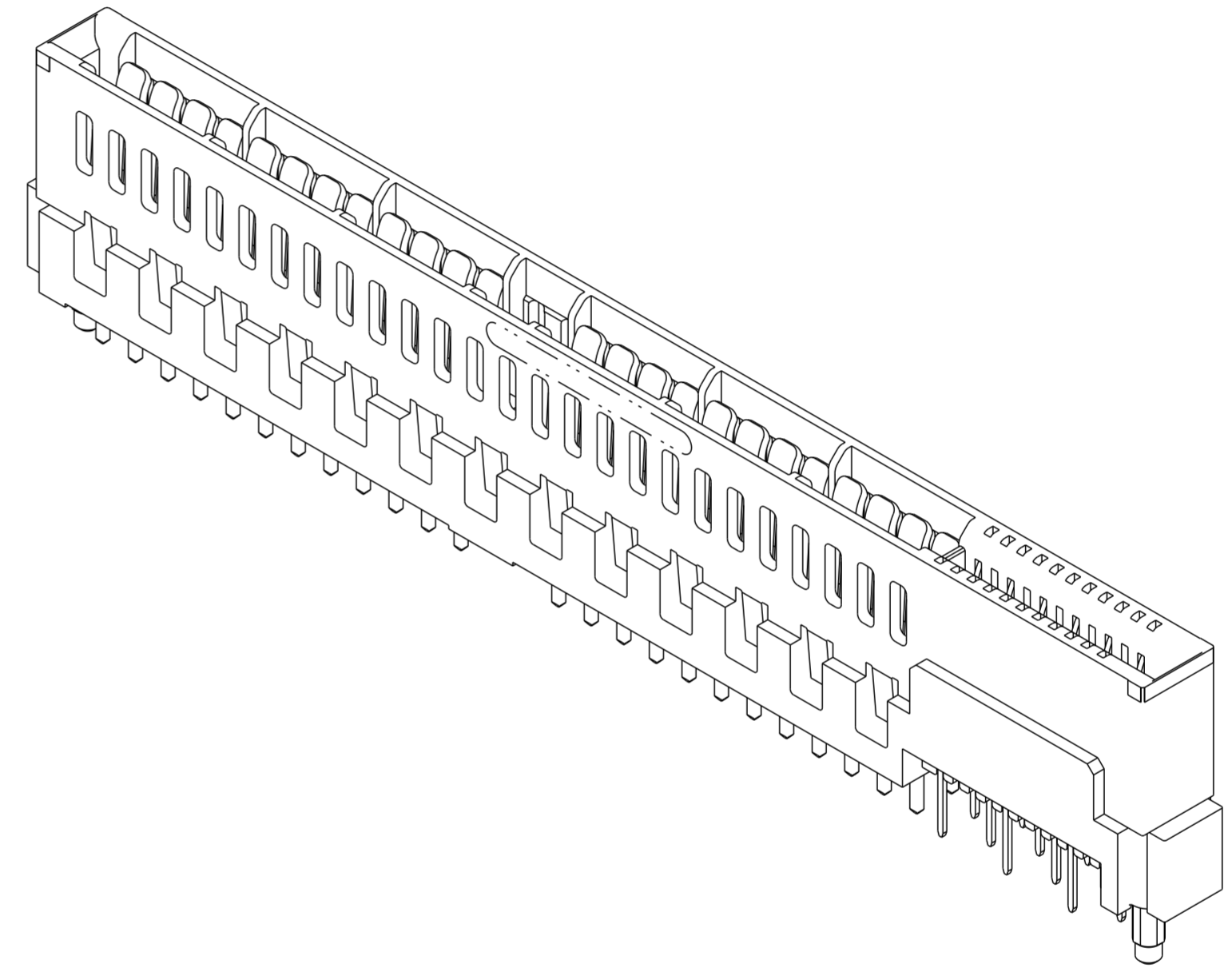


dr	Wei-Long Zhang	2012/02/16	projection	MM	size	A2	scale	4:1
eng	Julia Wang	2013/06/08		CARD EDGE	ecn no	-	rel level	Released
chr	-	-			cat. no.	-		
appr	Pei-Ming Zheng	2013/06/08			title	VERT RECT ASM (52P-22S) HIGH POWER CARD EDGE(SPECIAL)		rev
					dwg no	10120159		A

Copyright FCI. FCI

HPCE PART NUMBER (TABLE 3)

PART NUMBER	TAIL TYPE	ORIENTATION KEY	DIM "A" TYPICAL TAIL LENGTH	DIM "B" RECOMMENDED BOARD THICKNESS
10120159-001LF	SOLDER	YES	3.17 ±0.25	1.59 - 2.38
10120159-002LF		NO		



NOTES:

1. CONNECTOR MATERIALS:
 HOUSING: HIGH TEMPERATURE THERMAL PLASTIC, BLACK
 UL 94V-0 COMPLIANT
 CONTACTS: HIGH PERFORMANCE COPPER ALLOY.
2. CONTACT FINISH REF. GS-12-604 SECTION 5.2.
3. PRODUCT SPECIFICATION: GS-12-604.
4. APPLICATION SPECIFICATION: GS-20-128.
5. PRODUCT MARKING (FCI - PART NUMBER & DATE CODE) ON HOUSING IN AREA SHOWN.
6. PACKAGING MEETS FCI SPECIFICATION GS-14-937.
7. HOUSING COMPONENT WILL WITHSTAND EXPOSURE TO 260°C PEAK TEMPERATURE FOR 60 SECONDS IN A CONVECTION, INFRA-RED, OR VAPOR PHASE REFLOW OVEN.
8. COPPER PLATING THICKNESS IN CENTER OF VIA-HOLE CAN BE NO MORE THAN 0.003 LESS THAN OTHER AREAS.
9. ALL HOLE SIZES ARE FINISHED HOLE SIZES.
10. MOUNTING HOLES ARE UNPLATED
 $\varnothing 2.18 \pm 0.03$ FOR SOLDER TAILS

dr	Wei-Long Zhang	2012/02/16	projection	MM	size	A2	scale	4:1
eng	Julia Wang	2013/06/08			ecn no.	-	rel level	
chr	-	-			product family	CARD EDGE	rel level	Released
appr	Pai-Ming Zheng	2013/06/08			title	VERT RECT ASM (52P-22S)		rev
			www.fci.com		cat. no.	-	Product - Customer Drw	sheet 4 of 4
					cat. no.	-	Product - Customer Drw	sheet 4 of 4
					cat. no.	-	Product - Customer Drw	sheet 4 of 4