

TRIANGLE INDICATES POSITION 1

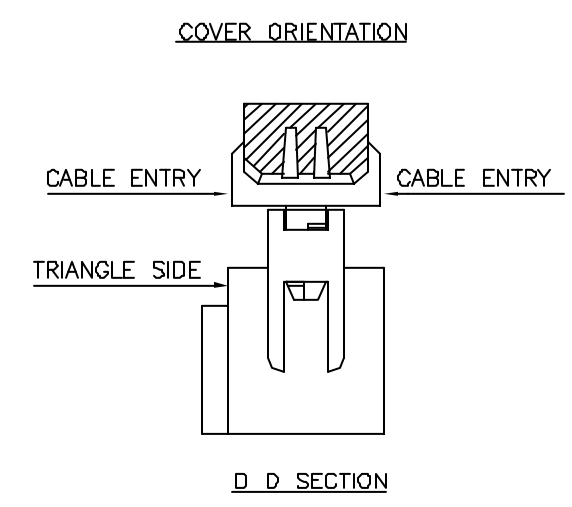
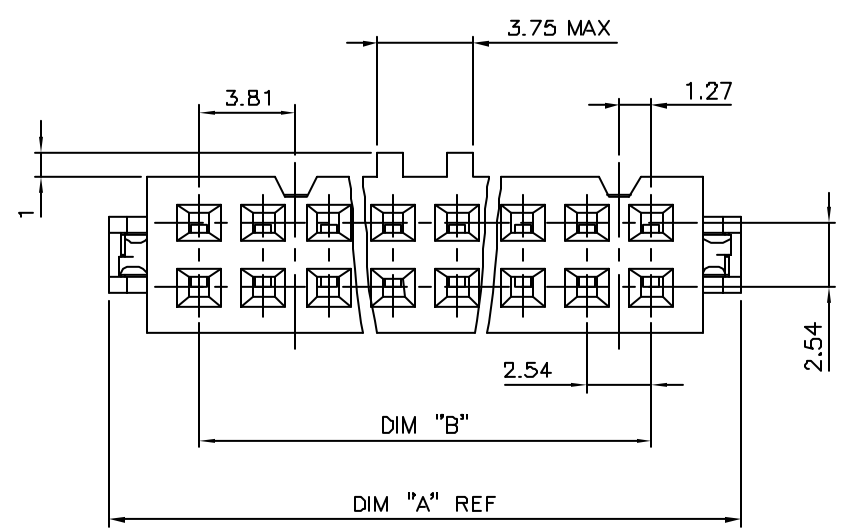
LEFT POLARIZING SLOT SEE TABLE

CENTRAL POLARIZING KEY

PRODUCT NUMBER
77336-YXXLF

- LEAD FREE, SEE NOTE 5.
- TOTAL NB OF POSITION 04 TO 64 SEE SHEET 2
- OPTIONAL STRAIN RELIEF SEE SHEET 2

- NOTES:
- MATERIAL: BASE AND COVER: 30% GLASS FILLED POLYESTER FLAME RETARDANT PER UL-94-V0 COLOUR GREY
STRAIN RELIEF: UNREINFORCED THERMOPLASTIC FLAME RETARDANT PER UL-94-V0 COLOUR GREY
CONTACT: BERYLLIUM COPPER
 - PLATING: 0.76µm Au OVER 1.27 µm Ni MIN IN CONTACT AREA, REMAINDER OF PRODUCT (IDC PART) 1.27µm Ni MIN.
 - TRIANGLE NOT MOLDED-IN ON 2x2 AND 2x3 POSITIONS WITH CENTRAL KEY
 - FOR PRINTING SPECIFICATION SEE TA 812.
 - THIS PRODUCT MEETS EUROPEAN UNION DIRECTIVES AND OTHER COUNTRY REGULATIONS AS PER GS-22-008. PACKAGING SPECIFICATION AS PER GS-14-920.



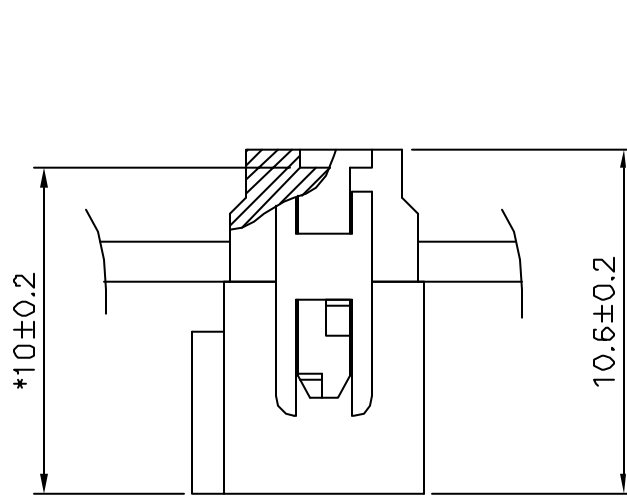
mat'l. code	surface	tolerance	projection	product family
SEE NOTES	ISO 1302	ISO 416 ISO 1101		2.54MM IDC
Ltr ecn no dr date	tolerance unless otherwise specified		title	
X F08-0274 LMU 06.08.12	angles	XX ±0.3	mm [inch]	QUICKIE III FEM
Y F06-0274 LMU 06.09.25	Linear	XXX ±0.13	scale 5:1	CuBe
		X.XXX ±0.05		
T F20556 DLE 02.10.11 dr P NIZZI 94.02.11			FCI	dwg no sheet 1 of 2 size
U F03019 DLE 03.01.23 engr JM PHAMVAN 93.03.25				77336 Az
V F04-0168 LMU 04.04.08 chr O MATHEVON 93.03.25				type CUSTOMER Drawing
W F05-0109 JCO 05.01.17 appd JM P 94.02.10				
sheet revision Y V				
index sheet 1 2				

Copyright FCI

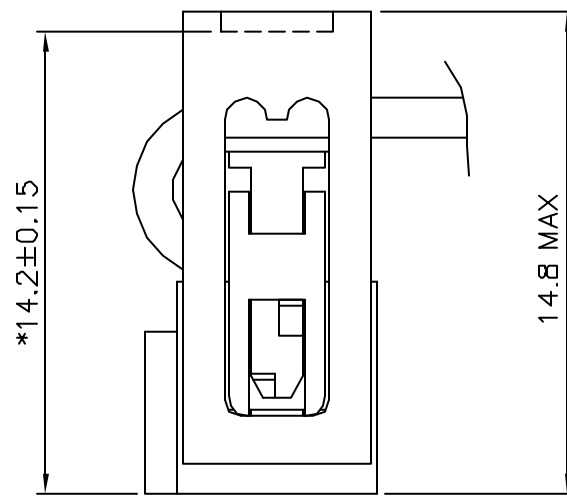
FCIconnect.com

PRODUCT NUMBER	SIZE	DIM "A"	DIM "B"	DIM "C"	DIM "S"	SLOT STYLE
77336-X04LF	2x 2	9.54	2.54	9.46	5.66	NO SLOT
77336-X06LF	2x 3	12.08	5.08	12.00	8.20	RIGHT IF NO KEY
77336-X08LF	2x 4	14.62	7.62	14.54	10.74	RIGHT IF NO KEY
77336-X10LF	2x 5	17.16	10.16	17.08	13.28	RIGHT SLOT
77336-X14LF	2x 7	22.24	15.24	22.16	18.36	RIGHT SLOT
77336-X16LF	2x 8	24.78	17.78	24.70	20.90	2 SLOTS
77336-X18LF	2x 9	27.32	20.32	27.24	23.44	2 SLOTS
77336-X20LF	2x 10	29.86	22.86	29.78	25.98	2 SLOTS
77336-X24LF	2x 12	34.94	27.94	34.85	31.06	2 SLOTS
77336-X26LF	2x 13	37.48	30.48	37.40	33.60	2 SLOTS
77336-X30LF	2x 15	42.56	35.56	42.48	38.68	2 SLOTS
77336-X34LF	2x 17	47.64	40.64	47.56	43.76	2 SLOTS
77336-X40LF	2x 20	55.26	48.26	55.18	51.38	2 SLOTS
77336-X44LF	2x 22	60.34	53.34	60.26	56.46	2 SLOTS
77336-X50LF	2x 25	67.96	60.96	67.88	64.08	2 SLOTS
77336-X60LF	2x 30	80.66	73.66	80.58	76.78	2 SLOTS
77336-X64LF	2x 32	85.74	78.74	85.66	81.86	2 SLOTS

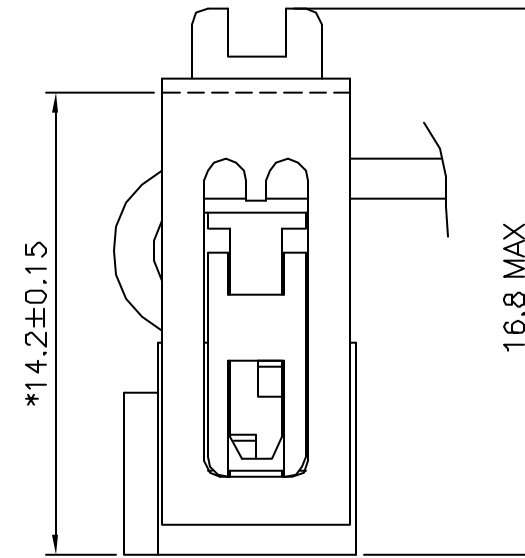
AFTER TERMINATION SIDE VIEW OF ASSEMBLY (* LATCHING DIM ON HEADER)



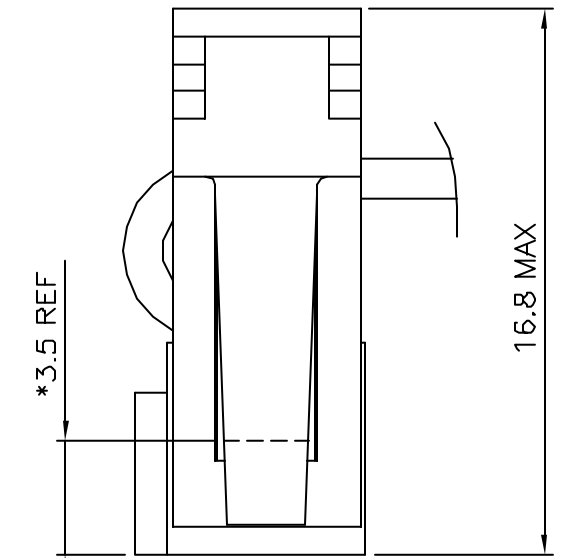
WITHOUT STRAIN RELIEF



WITH LOW PROFILE STRAIN RELIEF



WITH STANDARD STRAIN RELIEF



WITH LATCHING STRAIN RELIEF

77336-7YYLF		●			●	724	
77336-6YYLF	●				●	624	
77336-5YYLF		●		●		504 524 530	
77336-4YYLF		●		●			
77336-3YYLF		●	●			304	
77336-2YYLF	●			●		204 224 230	
77336-1YYLF	●			●			
77336-0YYLF	●		●			004	
PRODUCT NUMBER	WITH CENTRAL KEY	WITHOUT CENTRAL KEY	STANDARD STRAIN RELIEF	WITHOUT STRAIN RELIEF	LOW PROFILE STRAIN RELIEF	LATCHING STRAIN RELIEF	DASHES NOT AVAILABLE

mat'L code		surface		tolerance		projection		product family	
ISO 1302		ISO 416 ISO 1101		tolerances unless otherwise specified		mm [inch]		QKIE FEM	
ltr	ecn no	dr	date	angles		Linear		title	
P	F50100	PNZ	95.02.07					EURO QUICKIE	
R	F10586	DLE	01.10.24					0.76 μm Au	
S	F20194	DLE	02.04.10					scale N/A	
T	F03019	DLE	03.01.23	dr	P NIZZI	94.02.10		dwg no	
U	F06-027	LMU	06.09.12	engr	JM PHAMVAN	94.02.10		sheet 2 of - size	
V	F06-027	LMU	06.09.25	chr	O MATHEVON	91.10.31		77336	
				appr	JM P	94.02.10		A2	
sheet index	revision sheet							type	
								CUSTOMER Drawing	