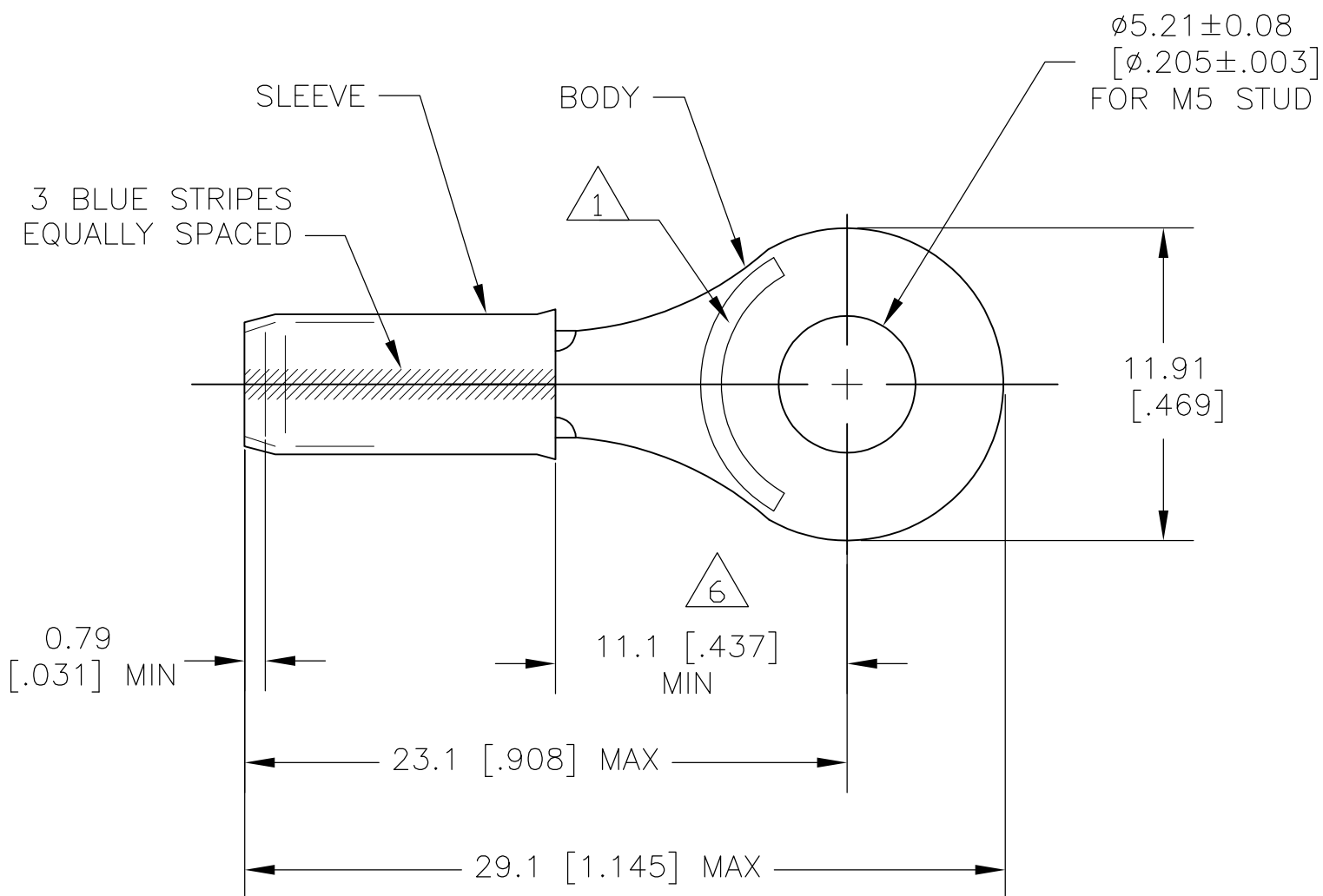


THIS DRAWING IS UNPUBLISHED. RELEASED FOR PUBLICATION
 © COPYRIGHT - BY TYCO ELECTRONICS CORPORATION. ALL RIGHTS RESERVED.

LOC	DIST	REVISIONS					
		P	LTR	DESCRIPTION	DATE	DWN	APVD
G	02		D1	REV PER ECR 07-024801	19OCT07	JR	TM



- 1 STAMP "AMP 16-14*" LOCATED APPROX AS SHOWN,
- 2 MATERIAL: TERMINAL - COPPER PER ASTM B-152, ANNEALED. SLEEVE - NYLON, COLOR BLUE
- 3 FINISH: TERMINAL - 0.00254 [.000100] MIN TIN PLATE PER ASTM B-545
- 4 WIRE INSULATION DIA 1.6-3.3 [.063-.130]
- 5 TONGUE MATERIAL THK: 0.79 ± 0.05 [.031 ± .002]
- 6 DIMENSION APPLIES FROM EDGE OF WIRE BARREL TO CENTER OF STUD HOLE.
- 7 MAX RECOMMENDED OPERATING TEMP 105°C [221°F]
- 8 VOLTAGE RATING IS 300 V MAX
- 9 1.04-1.65mm² [2,050-3,260] CMA, STRANDED

1000	LOOSE PIECE	134021-1
QTY	PACKAGING TYPE	PART NO

THIS DRAWING IS A CONTROLLED DOCUMENT.		DWN jr_ruth 19OCT07	Tyco Electronics Corporation Harrisburg, PA 17105-3608													
DIMENSIONS: MM [INCHES]		CHK T MICHELUTTI 19OCT07	NAME TERMINAL, RING TONGUE, I.R., PIDG, WIRE SIZE 16 AWG													
TOLERANCES UNLESS OTHERWISE SPECIFIED:		APVD T MICHELUTTI 19OCT07	PRODUCT SPEC -													
<table border="0"> <tr><td>0 PLC</td><td>± -</td></tr> <tr><td>1 PLC</td><td>± -</td></tr> <tr><td>2 PLC</td><td>± -</td></tr> <tr><td>3 PLC</td><td>± 0.20 [.008]</td></tr> <tr><td>4 PLC</td><td>± -</td></tr> <tr><td>ANGLES</td><td>± -</td></tr> </table>		0 PLC	± -	1 PLC	± -	2 PLC	± -	3 PLC	± 0.20 [.008]	4 PLC	± -	ANGLES	± -	APPLICATION SPEC -	SIZE A3	
0 PLC	± -															
1 PLC	± -															
2 PLC	± -															
3 PLC	± 0.20 [.008]															
4 PLC	± -															
ANGLES	± -															
MATERIAL - 2	FINISH - 3	WEIGHT -	CAGE CODE 00779	DRAWING NO G-134021												
CUSTOMER DRAWING			RESTRICTED TO -	SCALE 4:1												
			SHEET 1 OF 1	REV D1												