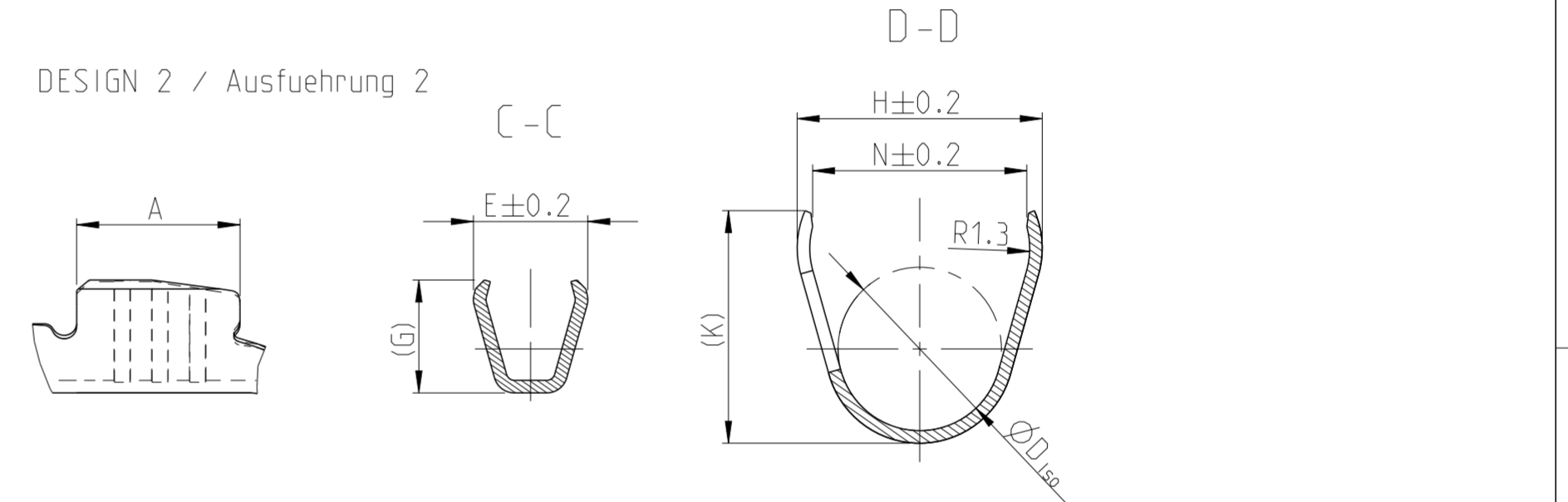
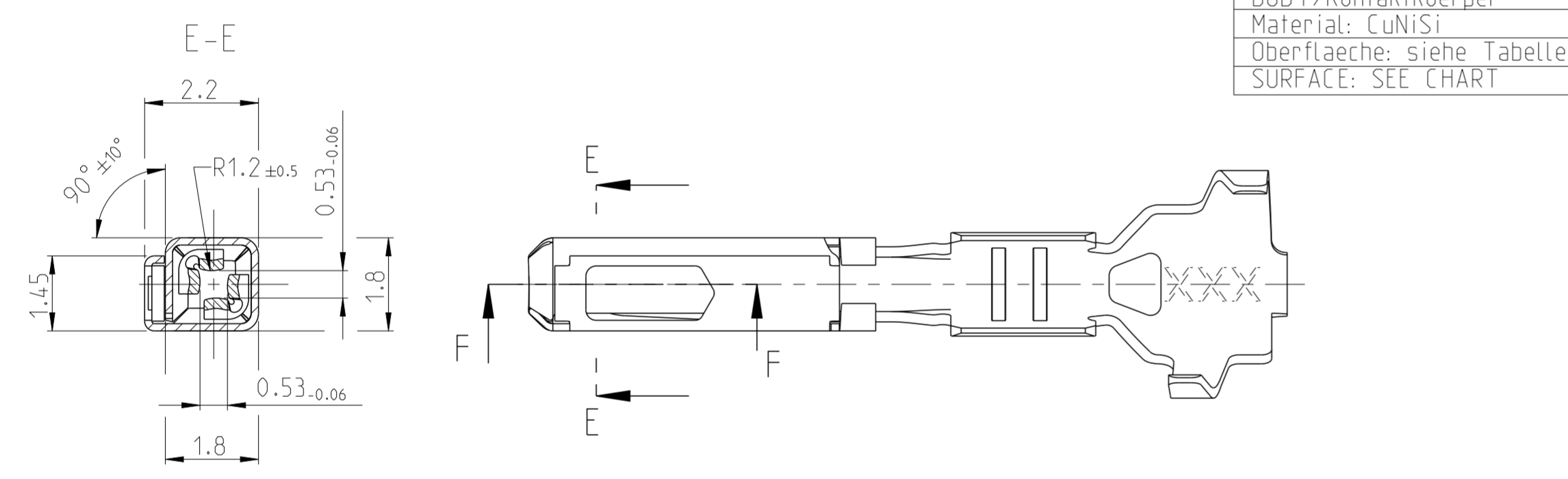
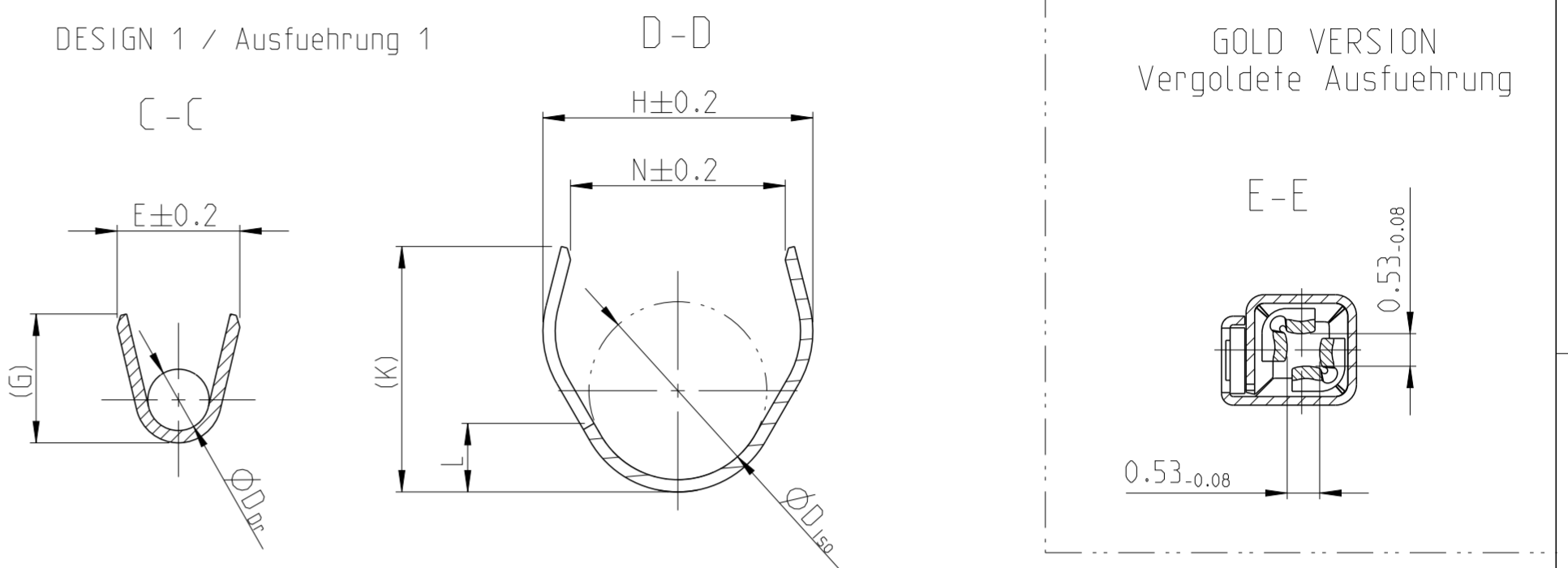
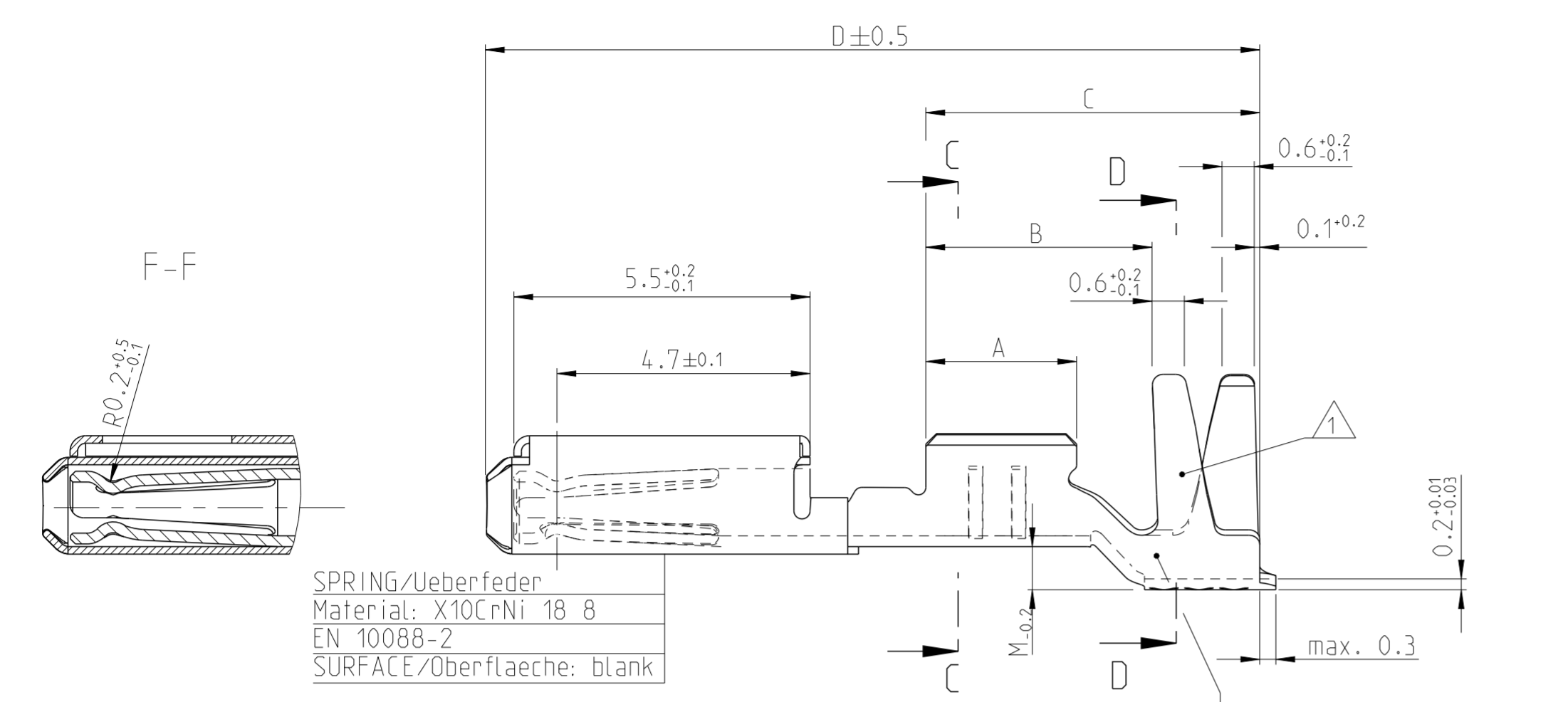


LOC		DIST		REVISIONS			
P	LTR	DESCRIPTION	DATE	DWN	APVD		
A		NEW DRAWING CREATED	01JUN04	Abr	H.K.		
A1		NEW TE LOGO (ECR-11-014427)	18JUL2011	Abr	Brun		
A2		LP variants removed. ECR-13-015135	30SEP2013	Abr	Brun		
A3		Design 2 and PN 2288140 added. ECR-14-018067	20NOV2014	Bren	Brun		

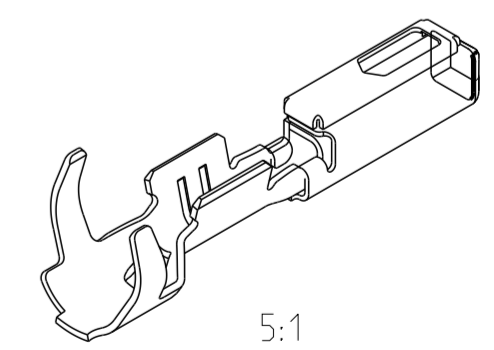
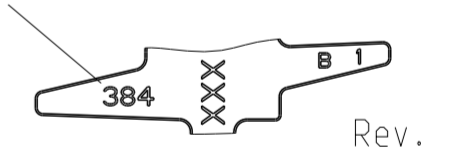


**NOTES**  
 Bemerkungen

1 DATE-CODE (WEK/YEAR (E.G. WEEK NUMBER 38/ YEAR 2004) AND TE REVISION (E.G. REV. B)  
 Datumscode (Woche / Jahr, z.B. KW 38/ Jahr 2004) und TE-Revision (z.B. Rev.B)

2 SUITABLE FOR PIN CONTACT SEE DRAWING: TE: 929453  
 Passend zu Stiftkontakt siehe Zeichnung: TE: 929453

3 DETAILS OF DESIGN ARE LEFT TO MANUFACTURER  
 Einzelheiten der Ausfuehrung bleiben dem Hersteller ueberlassen



Order No.	Design	Rev	DGB Wire Size Range mm <sup>2</sup>	Surface	Length mm	Wire Crimp mm	Insulation Dia. mm	Wire Seal Range mm <sup>2</sup>	Insulation Dia. mm	Wire Seal Range mm <sup>2</sup>	Color	Blind Plug	Color	Blind Plug
2288140-1	A		0.35	Sn	A = 2.6 B = 4.2 C = 6.2 D = 14.2 M = 0.8	E = 1.8 G = 1.8	H = 4.2 K = 4.2 N = 3.6 D <sub>ISO</sub> = 2.6	0.22-0.35	0.9-1.4	967067-2	gelb YELLOW	963142-2	grau GREY	967056-1
1703032-5	A		0.5-0.75	Au	A = 2.8 B = 4.2 C = 6.2 D = 14.2 M = 0.8	E = 2 G = 2.1 D <sub>Dr</sub> = 1	H = 4.4 K = 4 L = 1.5 N = 3.5 D <sub>ISO</sub> = 2.9	0.75-0.5	1.4-1.9	967067-1	grün GREEN	963142-1	schwarz BLACK	967056-1
1703032-1	A		0.5-0.75	Sn	A = 2.8 B = 4.2 C = 6.2 D = 14.2 M = 0.8	E = 2 G = 2.1 D <sub>Dr</sub> = 1	H = 4.4 K = 4 L = 1.5 N = 3.5 D <sub>ISO</sub> = 2.9	0.75-0.5	1.4-1.9	967067-1	grün GREEN	963142-1	schwarz BLACK	967056-1

THIS DRAWING IS A CONTROLLED DOCUMENT.		DWN Abraham.G. 01JUN2004	TE Connectivity	
DIMENSIONS: mm		CHK Kampmann.H. 02JUN2004		
TOLERANCES UNLESS OTHERWISE SPECIFIED:		APVD Bleicher.M. 27SEP2004	NAME MQS	
1 PLC ±0.2 2 PLC ±0.2 3 PLC ±0.2 4 PLC ANGLES ±°		PRODUCT SPEC 108-18030	SOCKET CONTACT CLEANBODY SWS	
MATERIAL		APPLICATION SPEC 114-18025	SIZE A2	RESTRICTED TO
		WEIGHT 0.13 g	CAGE CODE 00779	DRAWING NO C-1703040
		Customer Drawing	SCALE 10:1	SHEET 1 OF 1
				REV A3