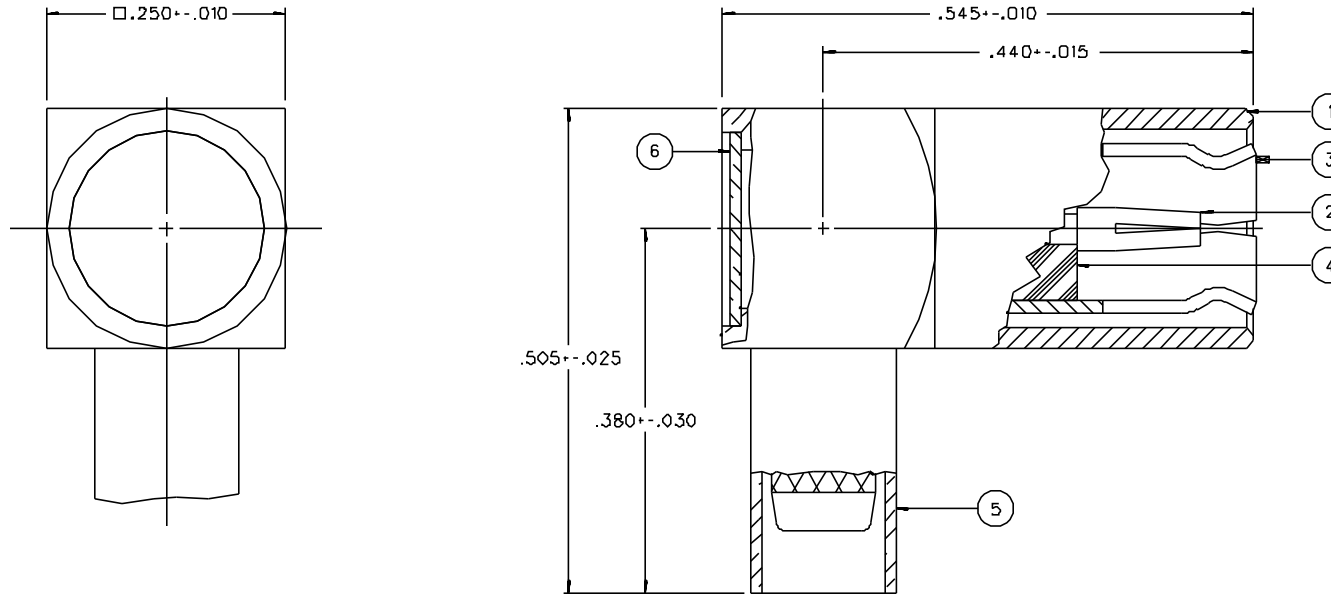


| PART NUMBER | ITEM ① BODY | ITEM ② CONTACT | ITEM ③ INTERFACE | ITEM ④ INSULATOR | ITEM ⑤ CRIMP SLEEVE | ITEM ⑥ END CAP |
|--------------|---|--|--|---------------------|--|---|
| 131-B404-101 | BRASS GOLD PL .00001 MIN OVER NICKEL PL .00005 MIN OVER COPPER PL .00005 MIN | BERYLLIUM COPPER GOLD PL .00003 MIN OVER NICKEL PL .00005 MIN OVER COPPER PL .00005 MIN | BERYLLIUM COPPER GOLD PL .00003 MIN OVER NICKEL PL .00005 MIN OVER COPPER PL .00005 MIN | TEFLON | COPPER GOLD PL .00001 MIN OVER NICKEL PL .00005 MIN OVER COPPER PL .00005 MIN | BRASS GOLD PL .00001 MIN OVER NICKEL PL .00005 MIN OVER COPPER PL .00005 MIN |
| 131-B404-106 | BRASS NICKEL PL .0001 MIN OVER COPPER PL .00005 MIN | BERYLLIUM COPPER GOLD PL .00003 MIN OVER NICKEL PL .00005 MIN OVER COPPER PL .00005 MIN | BERYLLIUM COPPER GOLD PL .00003 MIN OVER NICKEL PL .00005 MIN OVER COPPER PL .00005 MIN | TEFLON | COPPER NICKEL PL .0001 MIN OVER COPPER PL .00005 MIN | BRASS NICKEL PL .0001 MIN OVER COPPER PL .00005 MIN |



NOTES:

1. SPECIFICATIONS:

IMPEDANCE: 75 OHMS
 FREQUENCY RANGE: 0-2 GHZ
 VSWR: 1.35 ± 0.04 F (F IN GHZ)
 WORKING VOLTAGE: 335 VRMS MAX AT SEA LEVEL
 DIELECTRIC WITHSTANDING VOLTAGE: 1000 VRMS MIN AT SEA LEVEL
 INSULATION RESISTANCE: 1000 MEGOHM MIN
 CONTACT RESISTANCE:
 CENTER CONTACT - INITIAL 12 MILLIOHM MAX, AFTER ENVIRONMENTAL 16 MILLIOHM MAX
 OUTER CONDUCTOR - GOLD PLATED INITIAL 1 MILLIOHM MAX, AFTER ENVIRONMENTAL 1.5 MILLIOHM MAX
 NICKEL PLATED INITIAL 2.5 MILLIOHM MAX, AFTER ENVIRONMENTAL 3.5 MILLIOHM MAX
 BRAID TO BODY - INITIAL 1 MILLIOHM MAX (GOLD PLATED) 2.5 MILLIOHM MAX (NICKEL PLATED) AFTER ENVIRONMENTAL NOT APPLICABLE
 CORONA LEVEL: 250 VOLTS MIN AT 70,000 FEET
 INSERTION LOSS: .60 DB MAX AT 1.5 GHZ
 RF LEAKAGE: -55 DB MIN AT 2 GHZ
 RF HIGH POTENTIAL WITHSTANDING VOLTAGE: 700 VRMS MIN AT 4 AND 7 MHZ

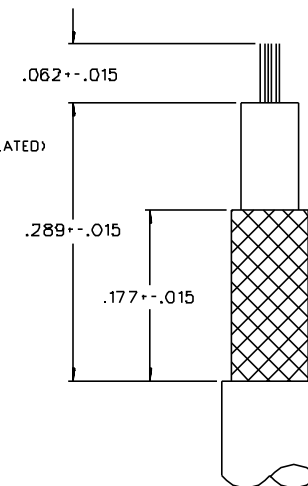
MECHANICAL:

ENGAGE/DISENGAGE FORCE: INITIAL 14 LBS MAX, AFTER DURABILITY 14 LBS MAX
 ENGAGEMENT/2 LBS MIN DISENGAGEMENT
 MATING TORQUE: NOT APPLICABLE
 COUPLING PROOF TORQUE: NOT APPLICABLE
 COUPLING NUT RETENTION: NOT APPLICABLE
 CONTACT RETENTION: 4 LBS MIN AXIAL FORCE
 CABLE ACCEPTABILITY: RG179/U DOUBLE SHIELD, RG 187/U DOUBLE SHIELD

CABLE HEX CRIMP SIZE: .151
 CABLE RETENTION: 20 LBS MIN OR CABLE BREAKING STRENGTH
 DURABILITY: 500 CYCLES MIN

ENVIRONMENTAL:

(MEETS OR EXCEEDS THE APPLICABLE PARAGRAPH OF MIL-C-39012)
 THERMAL SHOCK: MIL-STD-202, METHOD 107, CONDITION B
 OPERATING TEMPERATURE: -65 DEG C TO 165 DEG C
 CORROSION: MIL-STD-202, METHOD 101, CONDITION B
 SHOCK: MIL-STD-202, METHOD 213, CONDITION B
 VIBRATION: MIL-STD-202, METHOD 204, CONDITION B



CABLE STRIP DIMENSIONS

| | |
|--|---|
| DRAWING NO. C - 131-8404-101/110 | |
| 0 REVISIONS | |
| ENGINEERING RELEASE | |
| 1 | 7-23-92 R H B A R B 7-28-92 ECO 41200 |
| VERSION UPDATE | |
| 1a | 4-21-94 R J B A R B F 5-10-94 ECN 42379 |
| CHANGED: UPDATED GRAPHICS | |
| 2 | 11-22-96 R S B A R B A ECN 44293 |
| VERSION UPDATE | |
| * REVISION NUMBER FOLLOWED BY AN ALPHA * | |
| * CHARACTER INDICATES DRAWING CLARIFICATION * | |
| * CAUTION OR PART NUMBER ADDITION ONLY * | |
| 2a | 6-2-98 R H B A R B ECN 45472 |
| CHANGED: .505 ± .025 WAS .534 ± .025, .380 ± .030 WAS .400 ± .030, .289 ± .015 WAS .312 ± .015, .177 ± .015 WAS .219 ± .015 DELETED: DIA .320 MAX ADDED: 0.250 ± 0.010 | |
| 3 | 3-2-00 R H B A R B ECN 46870 |

CUSTOMER DRAWING

THIS DRAWING TO BE ENTERPRETED PER ANSIZ 14.5M - 1982

"μSTATION"

COMPANY CONFIDENTIAL

| | | | | |
|--------------------------------------|-----------------|-----------------|--|---|
| TOLERANCE UNLESS OTHERWISE SPECIFIED | DRAWN BY VET | DATE 6-13-92 | JOHNSON Cinch Connectivity Solutions 299 Johnson Ave. Ste. 100 Waseca, MN 56093 1-800-247-8256 | |
| DECIMALS .XX | CHECKED BY | DATE | TITLE | PLUG ASSEMBLY, RA CABLED MINI-75 OHM SMB, RG 179 DS |
| mm | VET | 7-27-92 | | |
| .XXX | APPROVED BY | DATE | CODE NO. | DRAWING NO. |
| _____ | VET | 7-27-92 | | C - 131-8404-101/110 |
| _____ | APPROVED BY | DATE | SCALE 10:1 | U/N INCH SHEET 2 OF 2 |
| _____ | RJB | 7-27-92 | | |
| FINISH | RELEASE DATE | 7-28-92 | | |