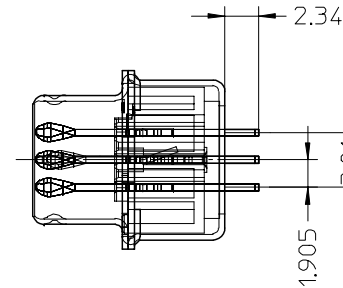
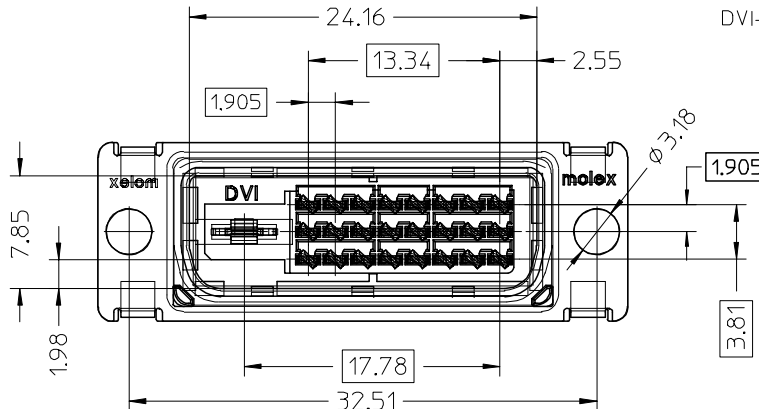
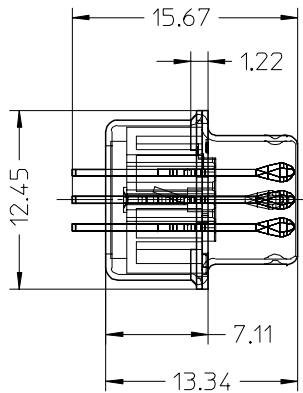


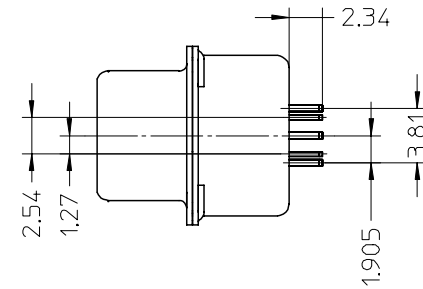
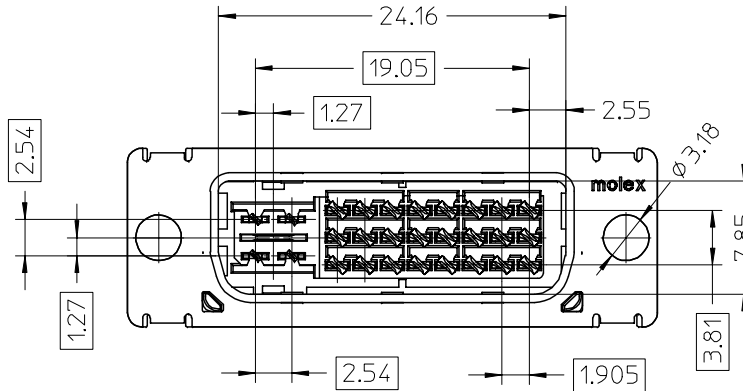
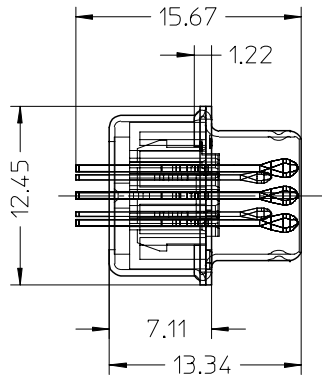
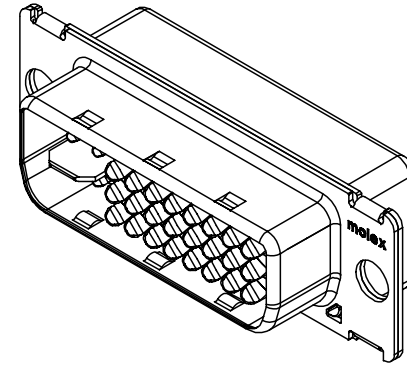
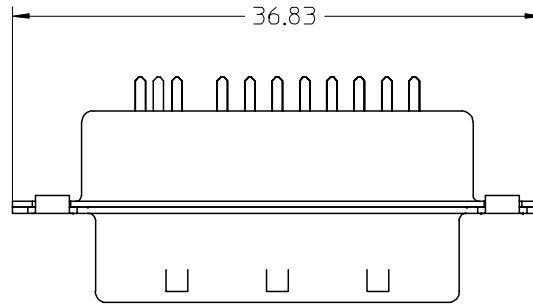
NOTES:

- 1.MATERIALS: HOUSING: HIGH TEMPERATURE PLASTIC  
UL 94V-0, COLOR: BLACK  
TERMINAL: COPPER ALLOY  
SHIELD: STEEL ALLOY
- 2.FINISH: TERMINAL: SEE THE CHART FOR GOLD PLATING OVER 1.27 MICROMETER (50u") NICKEL IN CONTACT AREA AND 3.81 MICROMETER (150u") PURE TIN OVER 1.27 MICROMETER (50u") NICKEL AT SOLDERING AREA.  
SHIELD: 3.81 MICROMETER (150u") BRIGHT TIN OVER 1.27 MICROMETER (50u") NICKEL OVERALL.
- 3.PRODUCT SPECIFICATION: PS-74320-001.
- 4.PACKAGING: PARTS ARE TO BE PACKAGED 40 PCS PER TRAY.
- 5.THE LOADED CIRCUITS SEE THE CHART.
- 6.THE DIMENSION SHOWN ON SHEET 1 REFLECT THE DVI-D SINGLE AND DUAL CHANNEL ASSEMBLY.  
THE DIMENSION SHOWN ON SHEET 2 REFLECT THE DVI-A AND DVI-I ASSEMBLY. FOR ALL OTHER DIMENSIONS REFER TO SHEET 1.

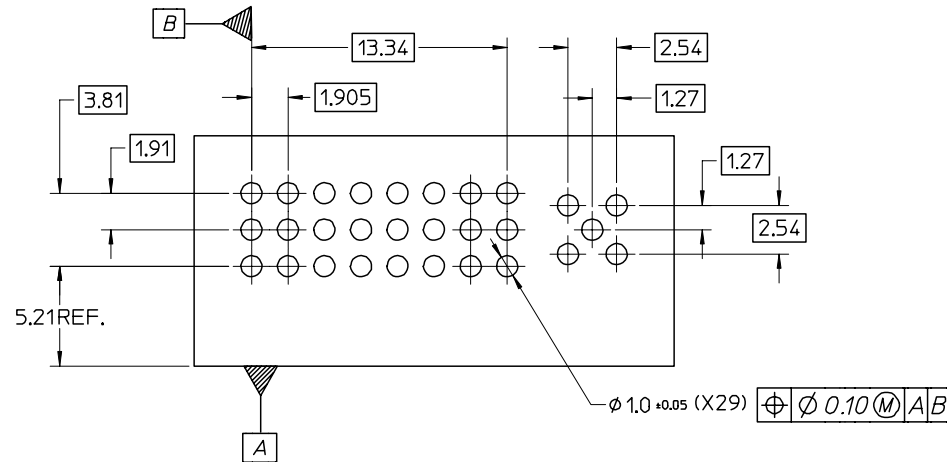


LEAD-FREE EC NO: SH2005-0067 DRWN:DXUE 2004/09/02 CHKD: 2004/09/03 APPR: YTYAP 2004/09/09	DESCRIPTION DVI	QUALITY SYMBOLS	GENERAL TOLERANCES (UNLESS SPECIFIED)		SCALE 1:1	DESIGN UNITS INCH	THIRD ANGLE PROJECTION	REVISE ON CAD ONLY	
		▽ = 0	mm	INCH	DIMENSION STYLE MM ONLY		TITLE		
		▽ = 0	4 PLACES ± --- ± ---	3 PLACES ± --- ± ---	DRAWN BY JCHIANG	DATE 00/05/12	HIGH VOLUME DVI PLUG CONNECTOR FOR PCB MOUNT		
			2 PLACES ± 0.25 ± ---	1 PLACE ± 0.25 ± ---	CHECKED BY MLIN	DATE 00/05/12	MOLEX INCORPORATED		
		ANGULAR ± .5 °	DRAFT WHERE APPLICABLE		APPROVED BY MLIN	DATE 00/05/12	MATERIAL NO. SEE TABLE	DOCUMENT NO. SD-74323-005	
			MUST REMAIN WITHIN DIMENSIONS		THIS DRAWING CONTAINS INFORMATION THAT IS PROPRIETARY TO MOLEX INCORPORATED AND SHOULD NOT BE USED WITHOUT WRITTEN PERMISSION			SHEET NO. 1 OF 3	

PART NO.	DESCRIPTION	LOAD CIRCUIT REF
74323-2101	DVI-D Au FLASH SINGLE CHANNEL	1-3,6-8,9-11,14-16,17-19,22-24 WITH KEY
74323-2102	DVI-D 30 u' Au SINGLE CHANNEL	1-3,6-8,9-11,14-16,17-19,22-24 WITH KEY
74323-2103	DVI-D Au FLASH DUAL CHANNEL	1-24, WITH KEY
74323-2104	DVI-D 30 u' Au DUAL CHANNEL	1-24, WITH KEY
74323-2111	DVI-A Au FLASH	1-2,6-8,14-16,17-18,23-24 C1-C5
74323-2112	DVI-A 30 u' Au	1-2,6-8,14-16,17-18,23-24 C1-C5
74323-2131	DVI-I Au FLASH SINGLE CHANNEL	1-3,6-8,9-11,14-16,17-19,22-24 C1-C5
74323-2132	DVI-I 30 u' Au SINGLE CHANNEL	1-3,6-8,9-11,14-16,17-19,22-24 C1-C5
74323-2133	DVI-I Au FLASH DUAL CHANNEL	1-24,C1-C5
74323-2134	DVI-I 30 u' Au DUAL CHANNEL	1-24,C1-C5



LEAD-FREE EC NO: SH2005-0067 DRWN:DXUE 2004/09/02 CHKD: 2004/09/03 APPR: YTYAP 2004/09/09	QUALITY SYMBOLS ▽ = 0 ▽ = 0	GENERAL TOLERANCES (UNLESS SPECIFIED)		SCALE 1:1	DESIGN UNITS INCH	THIRD ANGLE PROJECTION	REVISE ON CAD ONLY
		4 PLACES ± --- ± --- 3 PLACES ± --- ± --- 2 PLACES ± 0.25 ± --- 1 PLACE ± 0.25 ± ---	DIMENSION STYLE MM ONLY	TITLE HIGH VOLUME DVI PLUG CONNECTOR FOR PCB MOUNT			
		ANGULAR ± .5 °	DRAWN BY DATE JCHIANG 00/05/12 CHECKED BY DATE MLIN 00/05/12	MATERIAL NO. SEE TABLE DOCUMENT NO. SD-74323-005			
		DRAFT WHERE APPLICABLE MUST REMAIN WITHIN DIMENSIONS	APPROVED BY DATE MLIN 00/05/12	SHEET NO. 2 OF 3	THIS DRAWING CONTAINS INFORMATION THAT IS PROPRIETARY TO MOLEX INCORPORATED AND SHOULD NOT BE USED WITHOUT WRITTEN PERMISSION		



RECOMMENDED PCB LAYOUT ,PCB THICKNESS :1.60 MM

LEAD-FREE EC NO: SH2005-0067 DRWN:DXUE 2004/09/02 CHKD: 2004/09/03 APPR: YTYAP 2004/09/09	DESCRIPTION REV B	QUALITY SYMBOLS	GENERAL TOLERANCES (UNLESS SPECIFIED)		SCALE 4:1	DESIGN UNITS INCH	THIRD ANGLE PROJECTION	REVISE ON CAD ONLY																
		▽ = 0 ◻ = 0	<table border="1"> <thead> <tr> <th></th> <th>mm</th> <th>INCH</th> </tr> </thead> <tbody> <tr> <td>4 PLACES</td> <td>± .005</td> <td>± .0004</td> </tr> <tr> <td>3 PLACES</td> <td>± .005</td> <td>± .0004</td> </tr> <tr> <td>2 PLACES</td> <td>± 0.25</td> <td>± .010</td> </tr> <tr> <td>1 PLACE</td> <td>± 0.25</td> <td>± .010</td> </tr> </tbody> </table>		mm	INCH	4 PLACES	± .005	± .0004	3 PLACES	± .005	± .0004	2 PLACES	± 0.25	± .010	1 PLACE	± 0.25	± .010	DIMENSION STYLE MM ONLY		TITLE HIGH VOLUME DVI PLUG CONNECTOR FOR PCB MOUNT			
			mm	INCH																				
		4 PLACES	± .005	± .0004																				
3 PLACES	± .005	± .0004																						
2 PLACES	± 0.25	± .010																						
1 PLACE	± 0.25	± .010																						
DRAFT WHERE APPLICABLE MUST REMAIN WITHIN DIMENSIONS			DRAWN BY JCHIANG		DATE 00/05/12		MOLEX INCORPORATED																	
			CHECKED BY MLIN		DATE 00/05/12		MATERIAL NO. SEE TABLE																	
			APPROVED BY MLIN		DATE 00/05/12		DOCUMENT NO. SD-74323-005																	
							SHEET NO. 3 OF 3																	
							THIS DRAWING CONTAINS INFORMATION THAT IS PROPRIETARY TO MOLEX INCORPORATED AND SHOULD NOT BE USED WITHOUT WRITTEN PERMISSION																	