

5

4

3

2

1

DRAWING NO.  
28-90507

REVISIONS

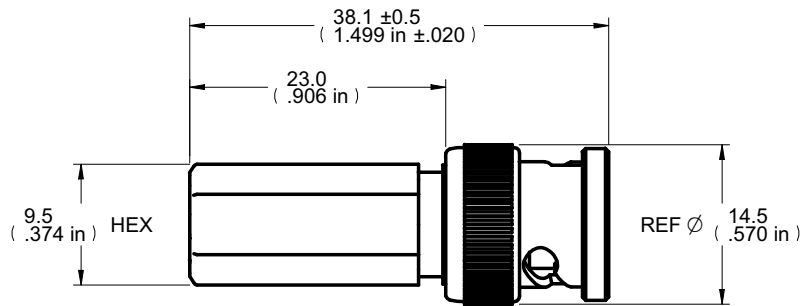
01	OFFICIAL RELEASE			
	08-18-09	L	L	T H

*Betty* 2009.09.08 09:38:55 +08'00'

Description: CPFIUG782 75 BNC(M) 1PC TW RG59  
 Part No: 28-90507  
 Application: For RG 59/62 Cable  
 Crimp Tool: N/A  
 Impedance: 75 ohm  
 Frequency Range: 0~2 GHz  
 Material: Body Zinc Nickel plated  
 Insulator PP/ TPX  
 Contact Brass Gold plated  
 Coupling nut Zinc Nickel plated  
 RoHS Compliance: Yes  
 Technical Detail: Refer to Emerson Document P/N 27-0000



受控 CONTROLLED DOCUMENT					
编号 P/N	28-90507-C UST	版本 Rev	01	日期 Rel'd Date	SEP 14,09



DIM OUTLINE

CUSTOMER COPY

TOLERANCE UNLESS OTHERWISE SPECIFIED		DRAWN BY LINDA.WU	DATE 08-18-09
DECIMALS	mm	CHECKED BY LINDA.WU	DATE 08-18-09
X	± 0.5	APPROVED BY THOMAS	DATE 08-18-09
X.X	± 0.3	U/M	mm
X.XX	± 0.1		
ANGLES	± 0.5°		

**EMERSON**  
Network Power

**Connectivity Solutions**

TITLE  
CPFIUG782 75 BNC (M) 1 PC TW RG59

SHEET 1 OF 1	DRAWING NO. 28-90507	SIZE A
-----------------	-------------------------	-----------

THIS DRAWING WAS PRODUCED BY COMPUTER, DO NOT SCALE DRAWING OR UPDATE MANUALLY.

5

4

3

2

1