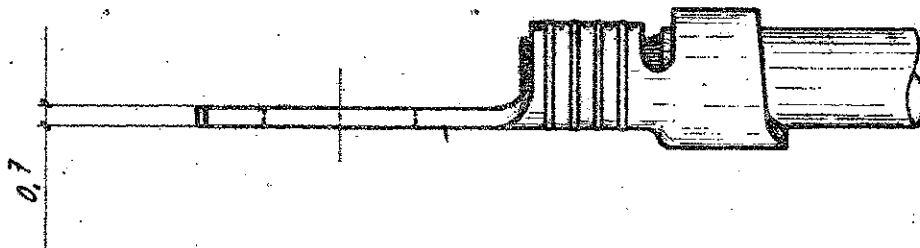
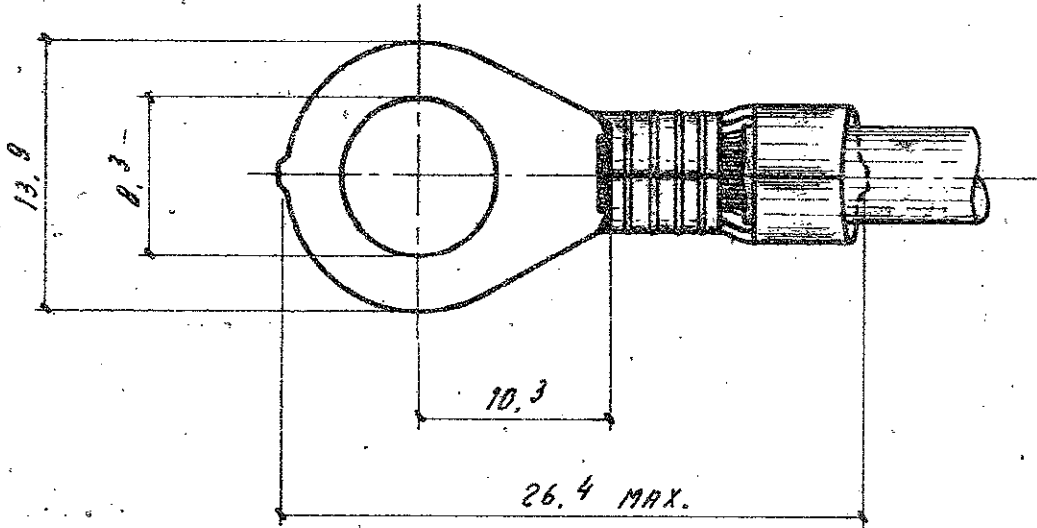


NUMBER

C-280268



DIMENSIONS IN mm DO NOT SCALE PRINT

PRINT DIST.

				© 1970 BY AMP INCORPORATED. ALL RIGHTS RESERVED. AMP PRODUCTS COVERED BY PATENTS AND/OR PATENTS PENDING.		CUSTOMER COPY REFERENCE ONLY	
E1	UPDATED	HY	2/10 1008	MATERIAL AND FINISH		AMP - ITALIA CORSO PESCHIERA 239/5 TORINO - ITALIA	
E	Revised ET00-0067-01	G.S.	09/03/01	OTTONE		AMP	
C	P/N 280268 OBSOLETE		24/2/89	OTTONE STAGNATO		CLASS	
B	TERMINALE IN PRODUZIONE		MARZO 15-72	WIRE RANGE INSULATION		TYPE	
A	280268 ERA 1A-70-5072		10-12-71	4 ÷ 6 mm ² 2,0 ÷ 5,3 MA.			
LTR	REVISION RECORD	DR	CHK	DATE	TOLERANCE EXCEPT AS NOTED	SCALE	LOC
DR	7 th APRIL '70	DE			+ 0.4 - 1.0		NO
CHK	APRIL 70	APP			NAME		REV
				R109 TONGUE WITH 1175. SUPPORT.			