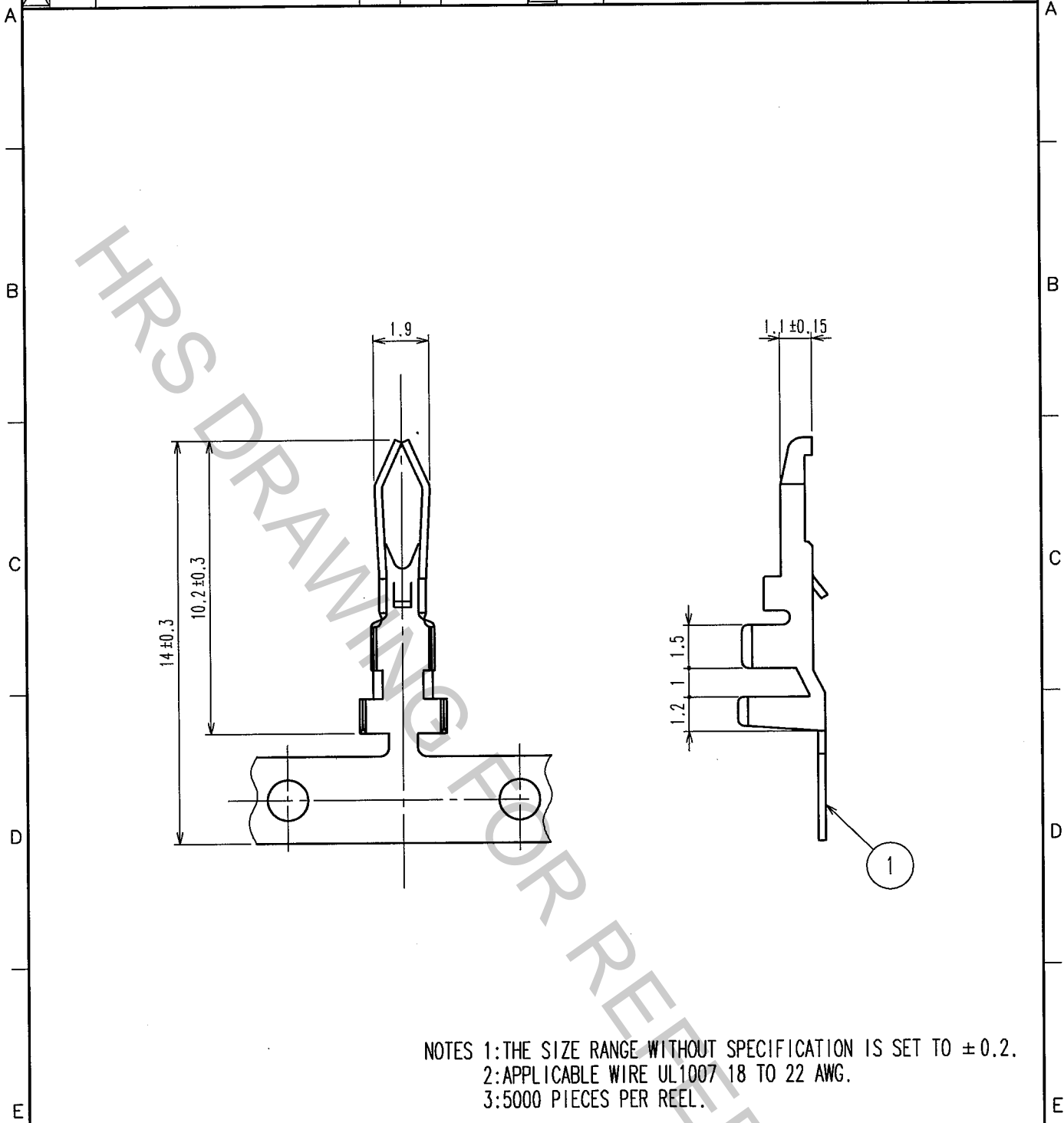


Apr.1.2017 Copyright 2017 HIROSE ELECTRIC CO., LTD. All Rights Reserved.

1			2			3			4		
COUNT	DESCRIPTION OF REVISIONS	BY	CHKD	DATE	COUNT	DESCRIPTION OF REVISIONS	BY	CHKD	DATE		
△				..	△				..		
△					△				..		
△					△				..		



NOTES 1: THE SIZE RANGE WITHOUT SPECIFICATION IS SET TO ±0.2.
 2: APPLICABLE WIRE UL1007 18 TO 22 AWG.
 3: 5000 PIECES PER REEL.

NO.	MATERIAL	FINISH, REMARKS	NO.	MATERIAL	FINISH, REMARKS
1	BRASS	SURFACE: TIN PLATED 2μm min UNDER PLATING: NICKEL PLATED 0.5μm min			

CODE NO. (OLD)	DRAWN	DESIGNED	CHECKED	APPROVED	RELEASED
	F. Matsuki '04.04.16	H. Umehara '04.04.16	T. Ono 04.04.16	T. Ono 04.04.16	

	DRAWING NO.	PART NO.
	EDC4-019534-02	DF6-1822PCF(05)
SACLE 5 : 1	HIROSE ELECTRIC CO., LTD.	CODE NO.
UNITS mm		CL546-0009-3-05

1/1

