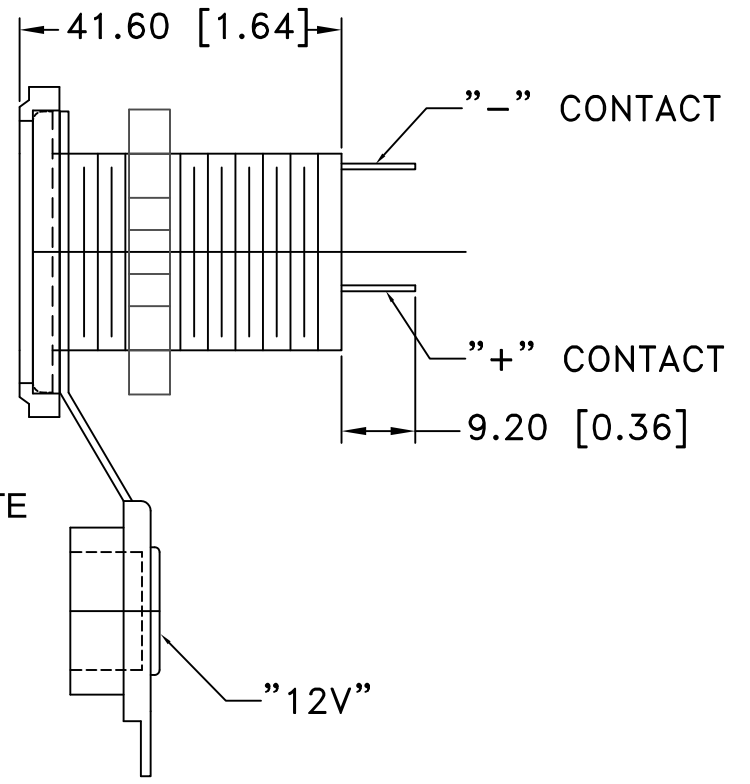
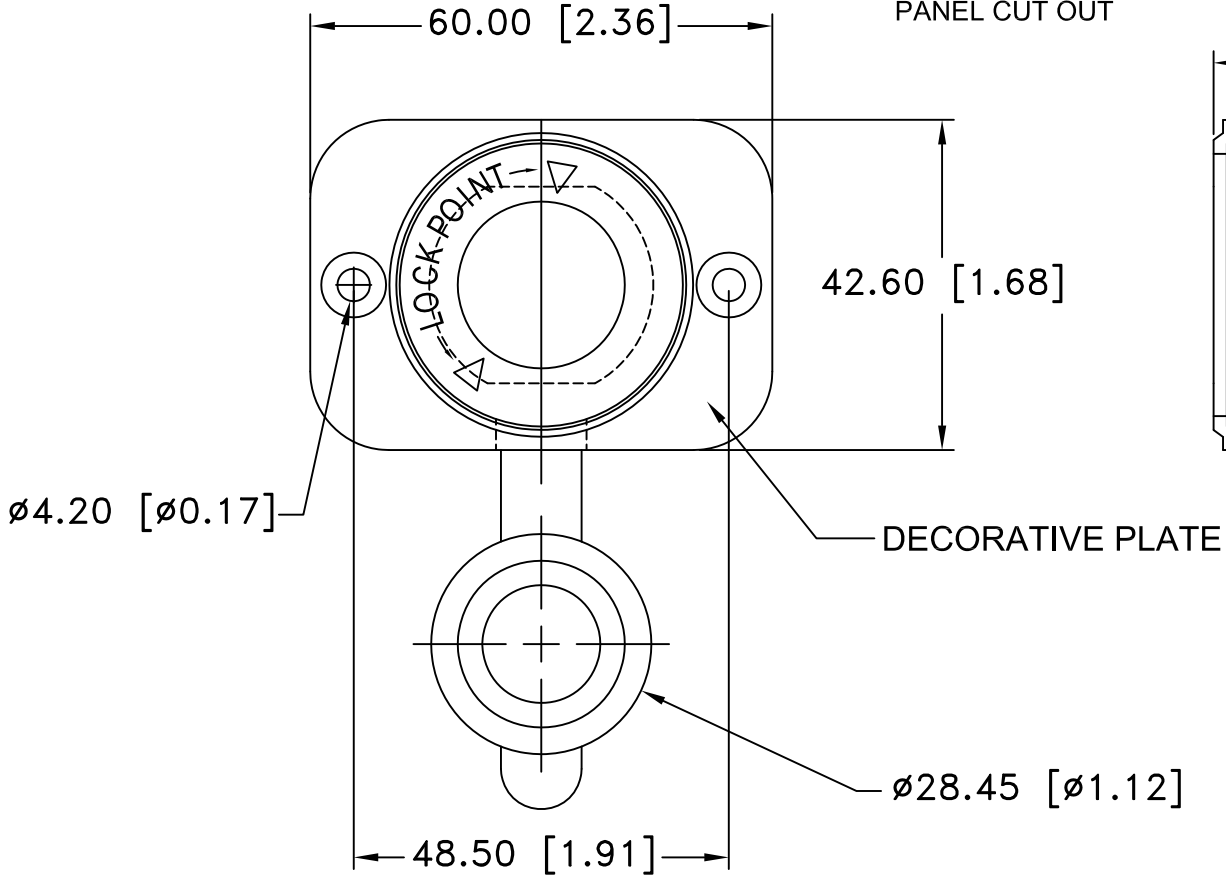
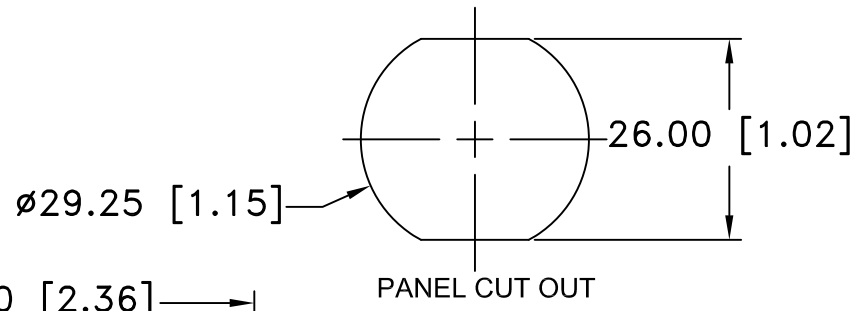



Date	SYM	REVISION RECORD	AUTH	DR.	CK.
02/11/11	A	ADDED ELECTRICAL RATING	T.B.	B.S.	



MATERIAL SPECIFICATION:
COVER: PVC
BODY: NYLON #66
CONTACTS: BRASS, NICKEL PLATED
RATING: 50m Ω Max
INSULATION RATING: 500VDC, 100m Ω MIN.
DIELECTRIC STRENGTH: 1500VAC 1 MIN.
NUT: NYLON #66
BASE: NYLON #66
DECORATIVE PLATE: NYLON #66
RATING: 12V, 15AMP

Tolerance (Except as noted)	 Memory Protection Devices, Inc 200 Broad Hollow Road, Farmingdale, New York 11735	Scale	Drawn By B.S.
			Approved By T.B.
decimal $\pm .5$ (.020)	Title 12V CIGARETTE SOCKET, 15AMP		
Fractional $\pm .8$ (.030)		Date 02/11/11	Drawing Number AS212-C
Angular $\pm 3^\circ$			