

MODEL NUMBER  
ADT-8000-MF-SMA-02

NOTES:

- 1.0 MATERIALS:  
 1.1 HOUSING AND COUPLING NUT: STAINLESS STEEL PER ASTM-A582, TYPE 303.  
 1.2 CENTER CONTACT: BERYLLIUM COPPER ROD ALLOY C172, PER ASTM-B196.  
 1.3 DIELECTRIC: PTFE FLUOROCARBON PER ASTM-D1457.

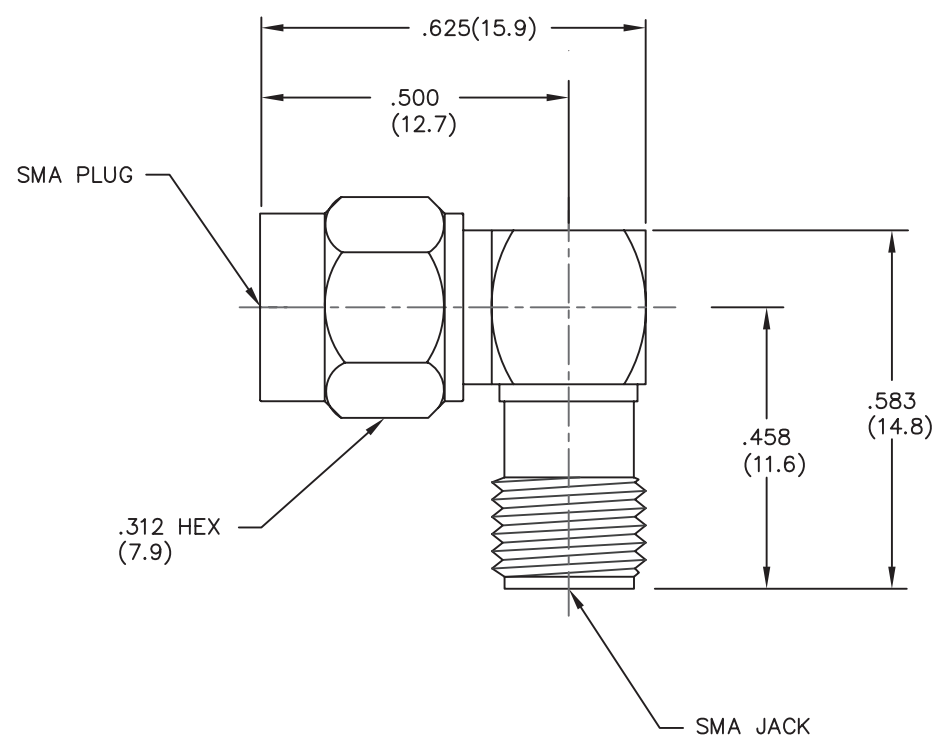
- 2.0 PLATING:  
 2.1 HOUSING AND COUPLING NUT: PASSIVATED PER QQ-P-35 AND MIL-F-14072.  
 2.2 CENTER CONTACT: GOLD PER MIL-G-45204 TYPE II, CLASS 2

- 3.0 MECHANICAL:  
 3.1 INTERFACE PER MIL-STD-348 IN ACCORDANCE WITH MIL-A-55339.  
 3.2 CENTER CONTACT CAPTURED IN ACCORDANCE WITH MIL-A-55339.

4.0 DIMENSIONS IN PARENTHESIS ARE MILLIMETERS.

- 5.0 ELECTRICAL:  
 5.1 FREQUENCY: DC - 18 GHz  
 5.2 VSWR: 1.05+.010f(GHz)


ALL OTHER MECHANICAL, ELECTRICAL, AND ENVIRONMENTAL CHARACTERISTICS ARE IN ACCORDANCE WITH MIL-A-55339/2.



REV.	DESCRIPTION	DATE
1	RELEASED	3/16/93
-1	ADDED TITLEBLOCK	3/17/05

NOTICE: The information contained in this drawing is proprietary and must not be used without the permission of Cinch Connectivity Solutions.

UNLESS OTHERWISE NOTED DIMENSIONS ARE IN INCHES AND TOLERANCES ARE:  
 3 PLACE DECIMALS ±.005  
 2 PLACE DECIMALS ±.02  
 FRACTIONS ±1/64  
 PARALLELITY: T.I.R. \_\_\_\_\_  
 FLATNESS: T.I.R. \_\_\_\_\_  
 CONCENTRICITY: T.I.R. \_\_\_\_\_  
 ANGLES AND PERPENDICULARITY: ±1'

CAGE CODE <b>34078</b>		<b>MIDWEST MICROWAVE</b>	
		TITLE ADAPTER SMA RIGTH ANGLE PLUG TO SMA JACK OUTLINE DRAWING	
		DRAWN/DATE A.BEATTY 3/12/93	ENG./DATE A.OSGA 3/15/93
CHECKED/DATE M.HOLLMAN 3/12/93	APPROVED/DATE	SCALE: 5=1	SHEET 1 of 1