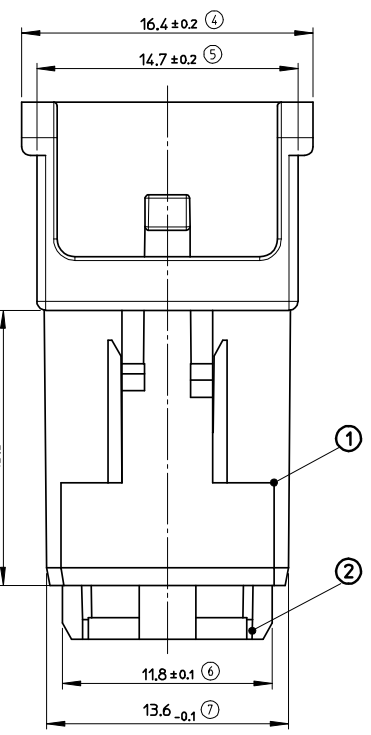


**PRELOCKED POSITION
POSITION PREMONTÉE**



ASSEMBLY NO. REFERENCE ASSEMBLAGE	CODING CODAGE	NAME DESIGNATION	PART-NO. MOLEX REFERENCE MOLEX	COLOR COULEUR	MATERIAL MATIERE
0984381001	1)	① HOUSING boîtier	0984380001	NATURE / cristal	>PBT<
		② SPACER grille	0981730001	BLACK / noir	>PBT-GF15<
0984381002	2)	① HOUSING boîtier	0984380002	BLACK / noir	>PBT<
		② SPACER grille	0981730001	BLACK / noir	>PBT-GF15<
0984381003	3)	① HOUSING boîtier	0984380003	GREY / gris	>PBT<
		② SPACER grille	0981730001	BLACK / noir	>PBT-GF15<
0984381004	4)	① HOUSING boîtier	0984380004	BLUE / bleu	>PBT<
		② SPACER grille	0981730001	BLACK / noir	>PBT-GF15<
0984381005	5)	① HOUSING boîtier	0984380005	BROWN / marron	>PBT<
		② SPACER grille	0981730001	BLACK / noir	>PBT-GF15<
0984381006	6)	① HOUSING boîtier	0984380006	RED / rouge	>PBT<
		② SPACER grille	0981730001	BLACK / noir	>PBT-GF15<

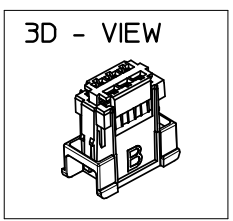
WEIGHT / MASSE : 5.10 g.

NOTES:

- MEASURE ALL DIMENSIONS WITH CALIPER
- ANY NON-CONFORMITY ON ONE PIECE WILL REJECT THE WHOLE CORRESPONDING BATCH.
THIS SALES DRAWING IS A PART OF MANUFACTURING DRAWING FOR ANY DISCREPANCY REFER TO MANUFACTURING DRAWING.
- LAST INSPECTION NUMBER: 9
REMOVED:

NOTES:

- Controler les cotes sur le dessin du connecteur au pied à coulisse
- Toute non conformite sur une piece entraine le refus Du lot correspondant:
Ce plan de controle etant un extrait du plan de fabrication. On fera reference pour tout litige au plan de fabrication.
- Durez le nombre d'inspection: 9
Enlevé:



EC NO: GZ008-0398 DRAWN: STOLTZ 2008/04/23 CHKD: HOERNING 2008/04/23 APPR: JARMAND 2008/04/23	QUALITY SYMBOLS ▽=0 ▽=0	GENERAL TOLERANCES (UNLESS SPECIFIED)		DIMENSION STYLE MM ONLY		SCALE 5:1	DESIGN UNITS METRIC	FIRST ANGLE PROJECTION
		mm	INCH	DRAWN BY PST	DATE 2005/09/01	TITLE 2.8 RCPT CONNECTOR 6CKT LLP SICMA	MATERIAL NO. SEE TABLE	
4 PLACES ± --- ± ---		3 PLACES ± --- ± ---		CHECKED BY MLU		DATE 2005/09/01		MOLEX INCORPORATED
2 PLACES ± 0.05 ± ---		1 PLACE ± 0.1 ± ---		APPROVED BY JHO		DATE 2005/09/01		
ANGULAR ± 1/2°		DRAFT WHERE APPLICABLE MUST REMAIN WITHIN DIMENSIONS		MATERIAL NO. SEE TABLE		DOCUMENT NO. SD-98438-001		SHEET NO. 1 OF 1
THIS DRAWING CONTAINS INFORMATION THAT IS PROPRIETARY TO MOLEX INCORPORATED AND SHOULD NOT BE USED WITHOUT WRITTEN PERMISSION								