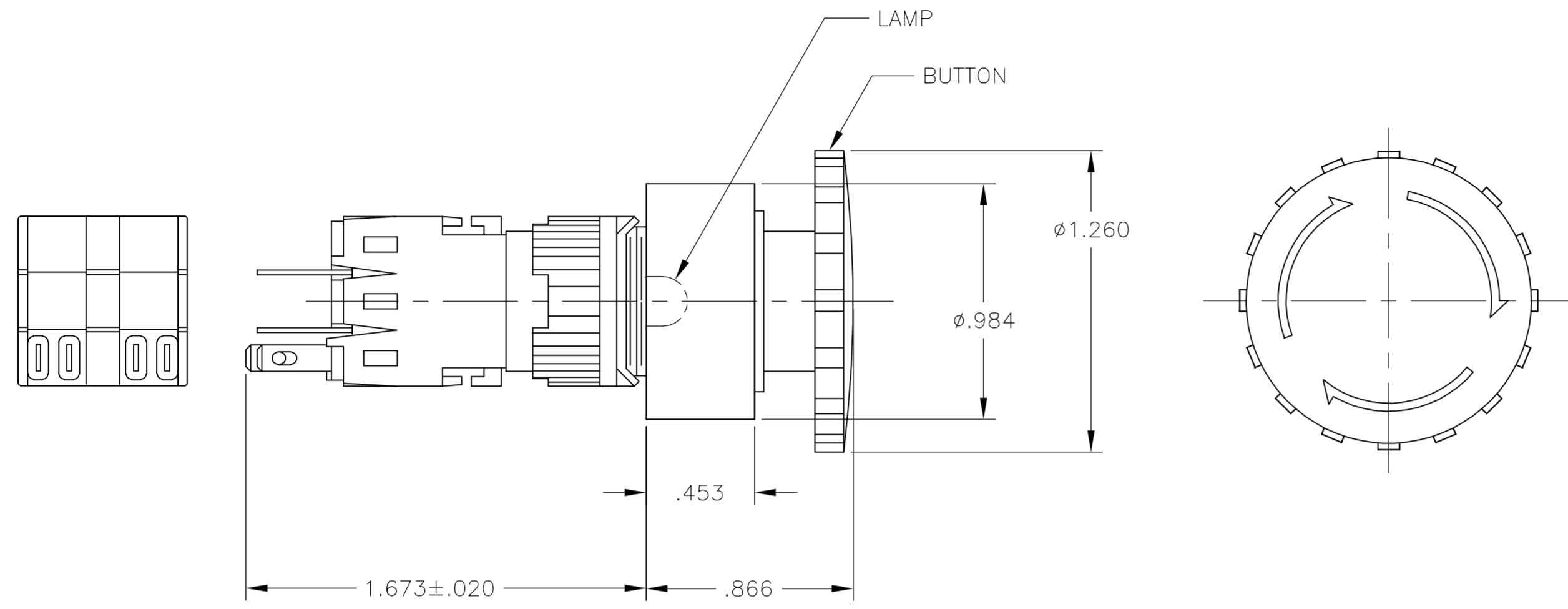


THIS DRAWING IS UNPUBLISHED. RELEASED FOR PUBLICATION
 © COPYRIGHT BY TYCO ELECTRONICS CORPORATION. ALL RIGHTS RESERVED.

LOC		DIST		REVISIONS			
P	LTR	DESCRIPTION		DATE	DWN	APVD	
AD	00	A	ECO-06-19196	10AUG06	MB	MS	

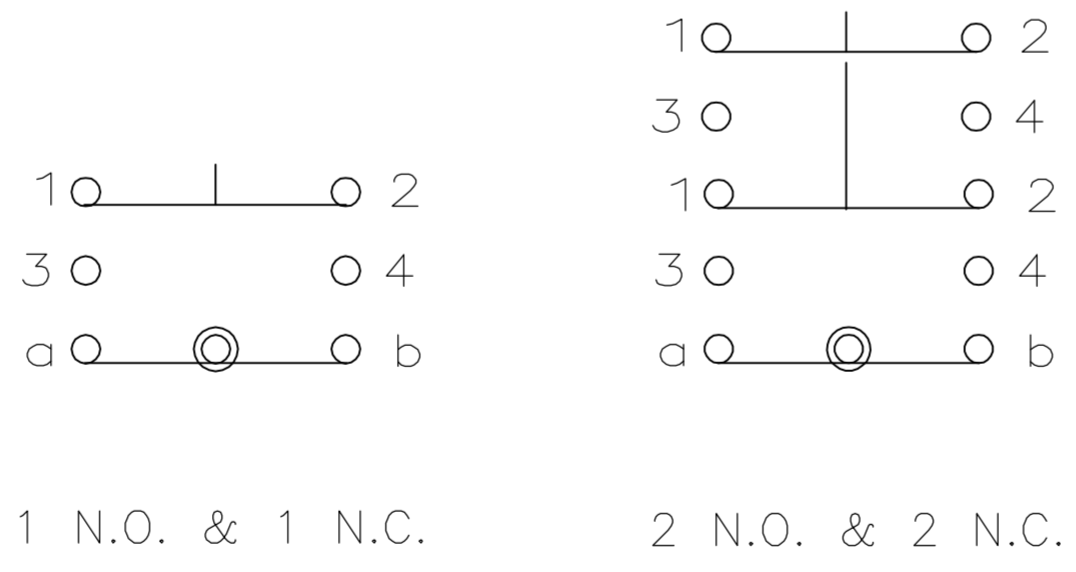
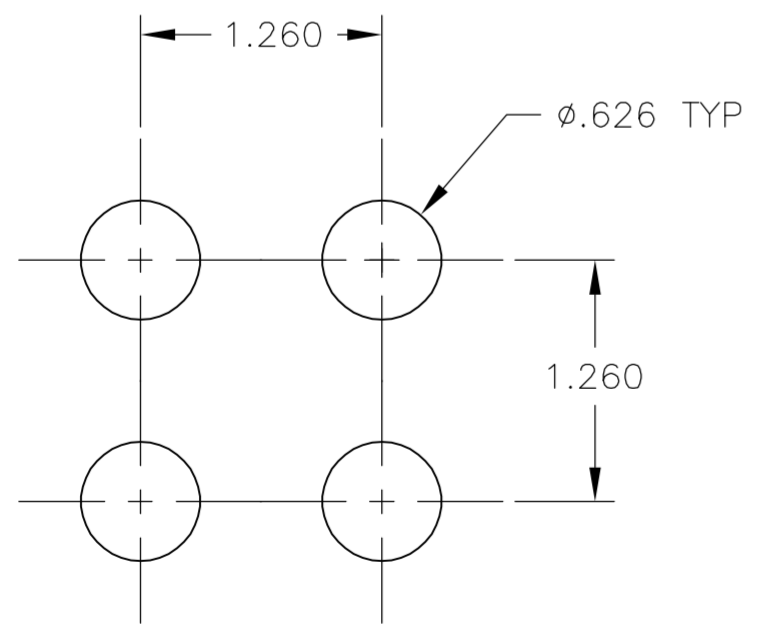


SPECIFICATIONS:

- MATERIALS:**
 MOVEABLE CONTACT: COPPER ALLOY, GOLD PLATE OVER SILVER CLAD.
 FIXED CONTACT: COPPER ALLOY, GOLD PLATE OVER SILVER CLAD.
- ELECTRICAL:**
 CONTACT RATING: 0.4VA @ 20VDC OR PEAK AC.
 5 AMPS @ 250VAC OR 24VDC (RESISTANCE).
 INITIAL CONTACT RESISTANCE: 20 MILLIOHMS MAX
 INSULATION RESISTANCE: 100 MEGOHMS MINIMUM
 DIELECTRIC STRENGTH: 1500 VOLTS RMS @ SEA LEVEL
 LIFE EXPECTANCY: 100,000 OPERATIONS AT RATED CURRENT
- ENVIRONMENTAL:**
 OPERATING TEMPERATURE: -4 F TO 122 F
 (-20 C TO 50 C)
 STORAGE TEMPERATURE: -4 F TO 122 F
 (-20 C TO 50 C)

NOTES:

- ALL MATERIALS AND FINISHES SHALL COMPLY WITH EU DIRECTIVE 2002/95/EC OF 27JAN2003 (ROHS)
- OILTIGHT MODEL MEETS NEMA 1, 12, 13 REQUIREMENTS
- UL RECOGNIZED E-51302
- PANEL THICKNESS: .197 MAX



CONTACT DIAGRAM
 (BUTTON NOT DEPRESSED)

PANEL CUTOUT
 TOLERANCE +/- .002
 SCALE 1:1

ACTION	CONTACTS	LED COLOR	TYCO PT. NO.
PUSH ON/TWIST OFF	2 N.O. & 2 N.C.	RED	1825207-2
PUSH ON/TWIST OFF	1 N.O. & 1 N.C.	RED	1825207-1

THIS DRAWING IS A CONTROLLED DOCUMENT.		DWN R BROWN 25APR05	Tyco Electronics Corporation Harrisburg, Pa 17105-3608	
DIMENSIONS: INCHES		CHK M SARVER 25APR05		
TOLERANCES UNLESS OTHERWISE SPECIFIED:		APVD M SARVER 25APR05	NAME ILLUMINATED PUSHBUTTON MUSHROOM HEAD	
0 PLC ± - 1 PLC ± - 2 PLC ± - 3 PLC ± .010 4 PLC ± - ANGLES ± - FINISH -		PRODUCT SPEC -	SIZE A2	CAGE CODE 00779
MATERIAL -		WEIGHT -	DRAWING NO C=1825207	RESTRICTED TO -
CUSTOMER DRAWING			SCALE 2:1	SHEET 1 OF 1

1825207