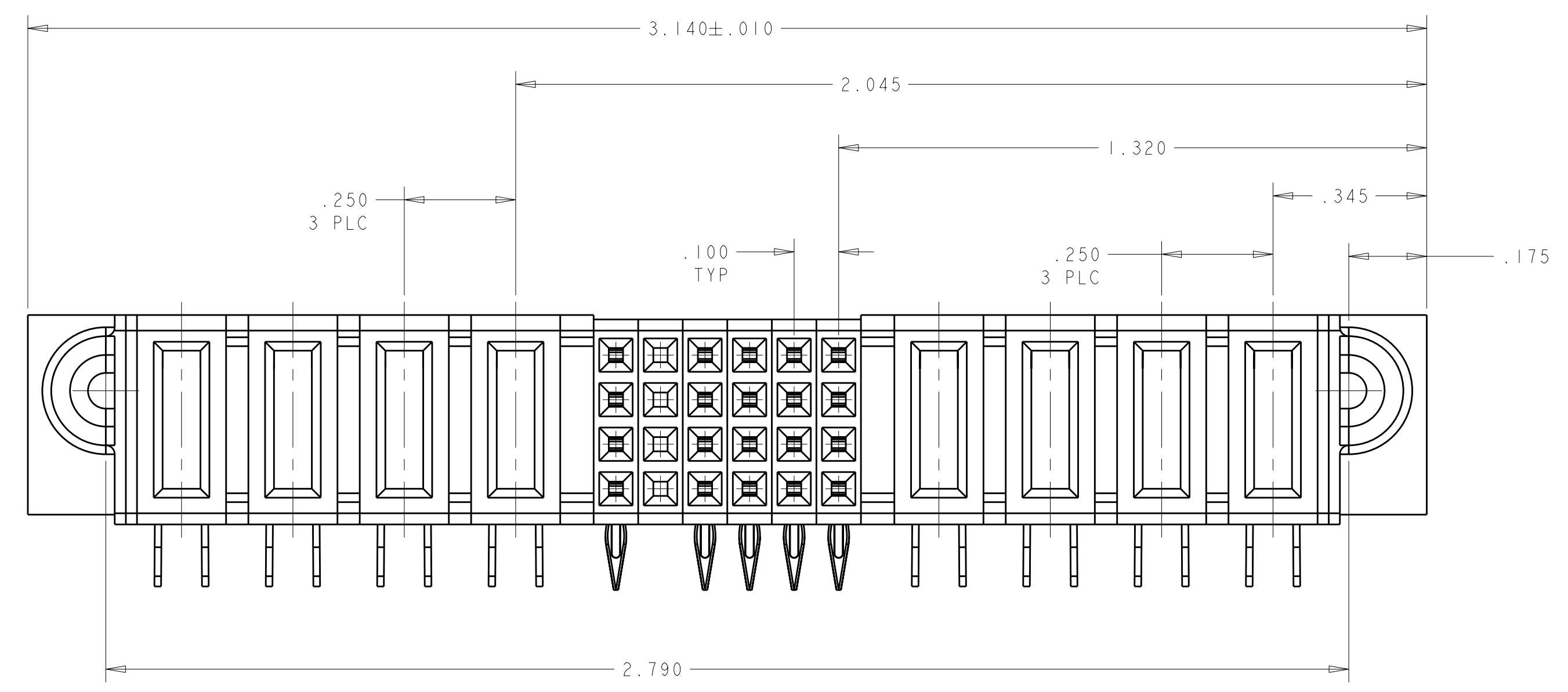
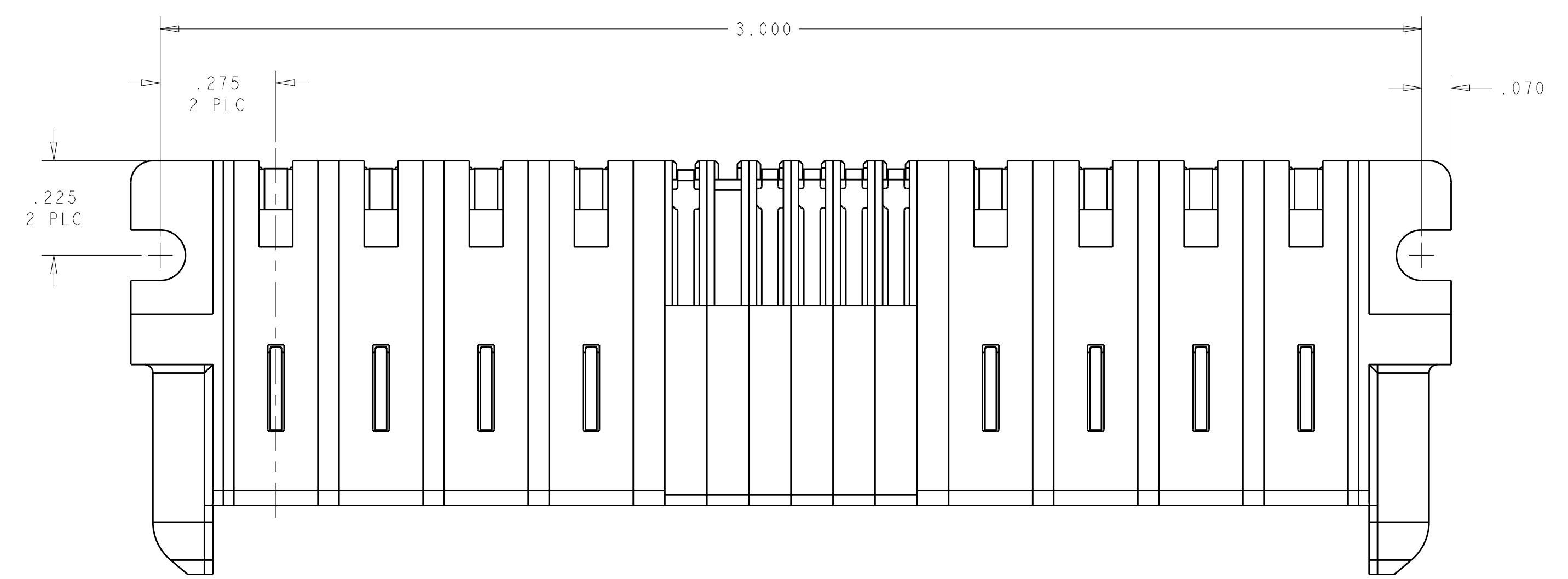
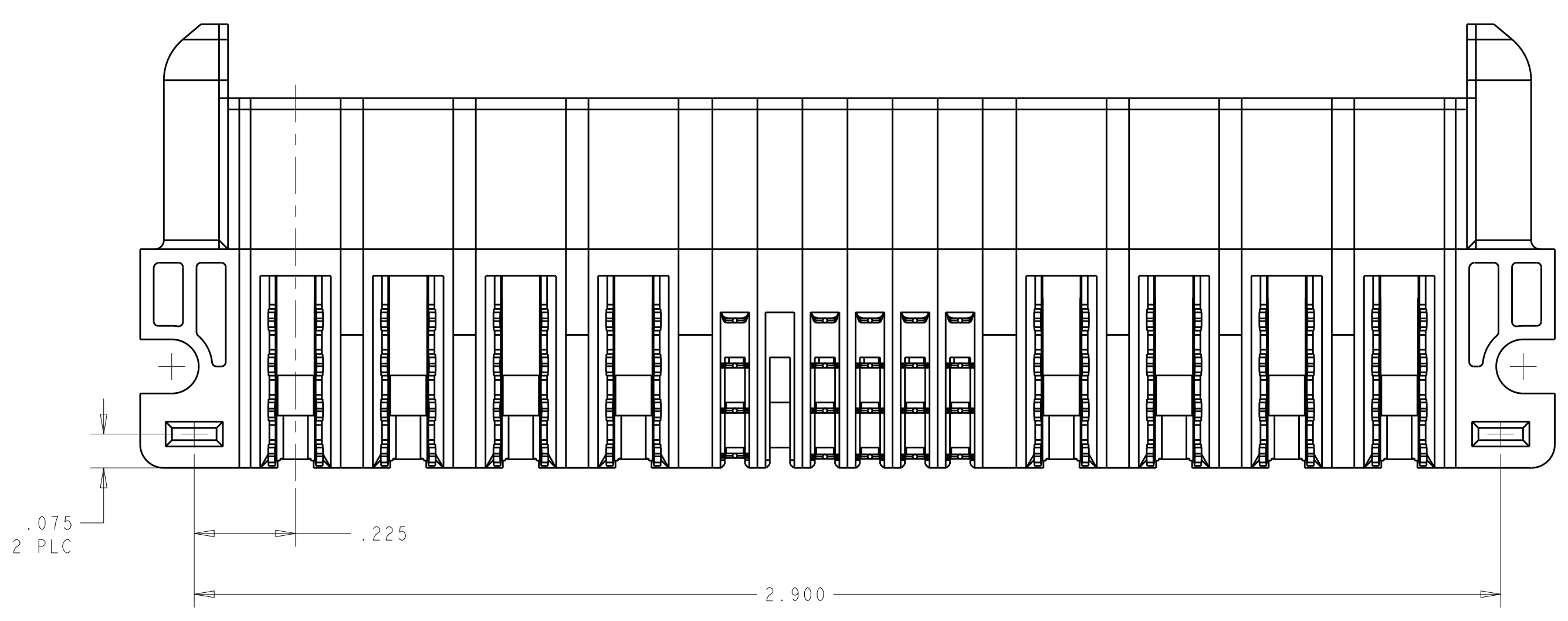
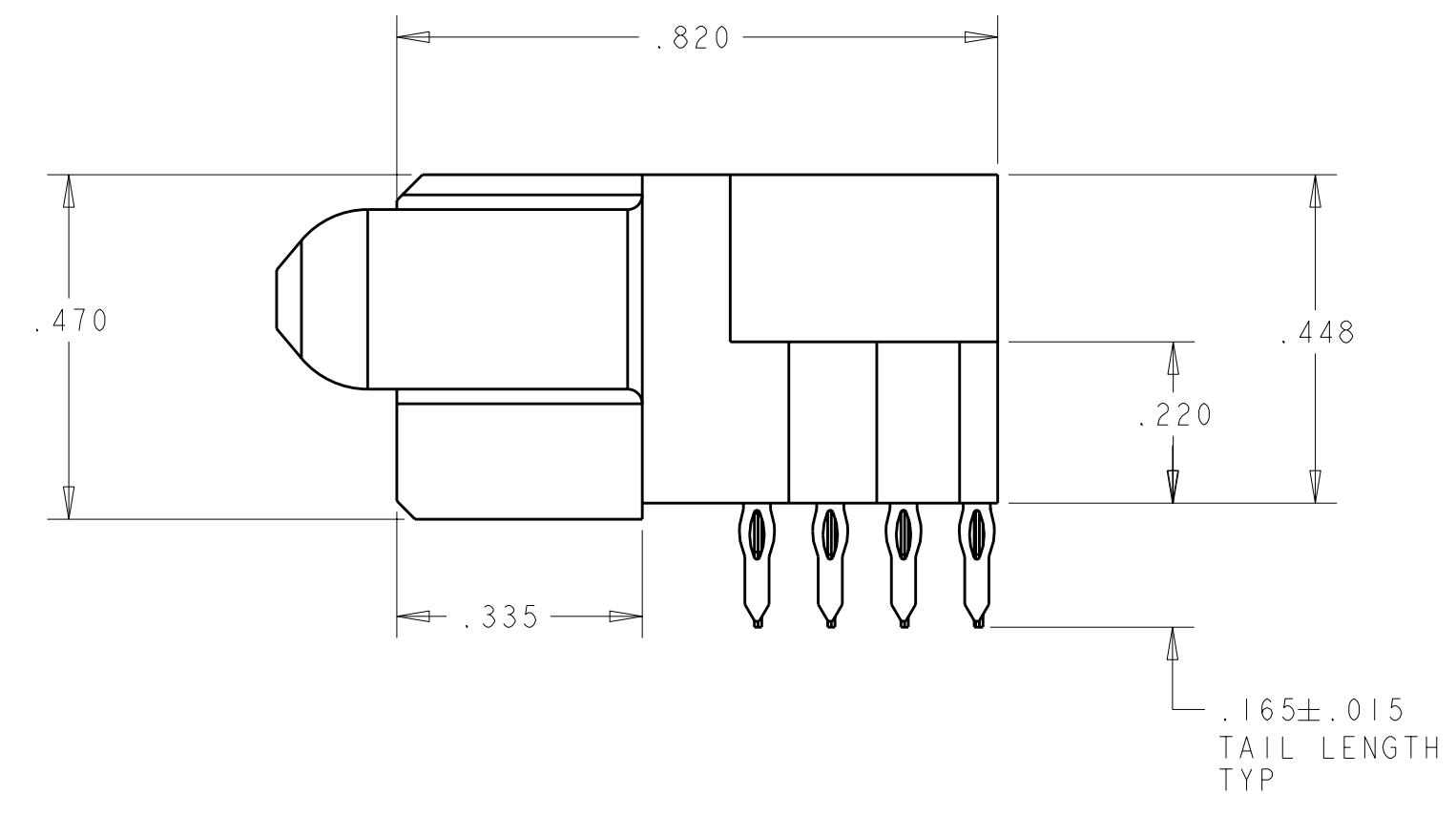


LOC	DIST	REVISIONS					
ES	00	P	LT#	DESCRIPTION	DATE	DWN	APVD
		1		PROPOSAL DESIGN	16APR2007	SZ	SY
		2		REV PER ECR-07-009456	18APR2007	SZ	SY



- ① HOUSING: THERMO PLASTIC, BLACK, UL94 V-O; CONTACTS AND RETENTION CLIPS: COPPER ALLOY.
- ② PIN CONTACTS: .000030 MIN GOLD IN MATING AREA, .000100 MIN TIN ON POST AREAS, BOTH OVER .000050 MIN NICKEL.
POWER CONTACTS: .000030 MIN GOLD IN MATING AREA, .000100 MIN TIN ON POST AREAS, BOTH OVER .000050 MIN NICKEL.
- ③ "AMP", PART NUMBER AND DATE CODE MARKED IN THIS AREA. PARTS UNDER 2.50" LONG MAY BE MARKED ON BOTH SIDES.
- ④ DATUM AND BASIC DIMENSIONS ESTABLISHED BY CUSTOMER.
- ⑤ PCB - ALL HOLE DIAMETERS ARE FINISHED HOLE SIZES.
- ⑥ MECHANICAL CONNECTOR KEEP OUT ZONE.

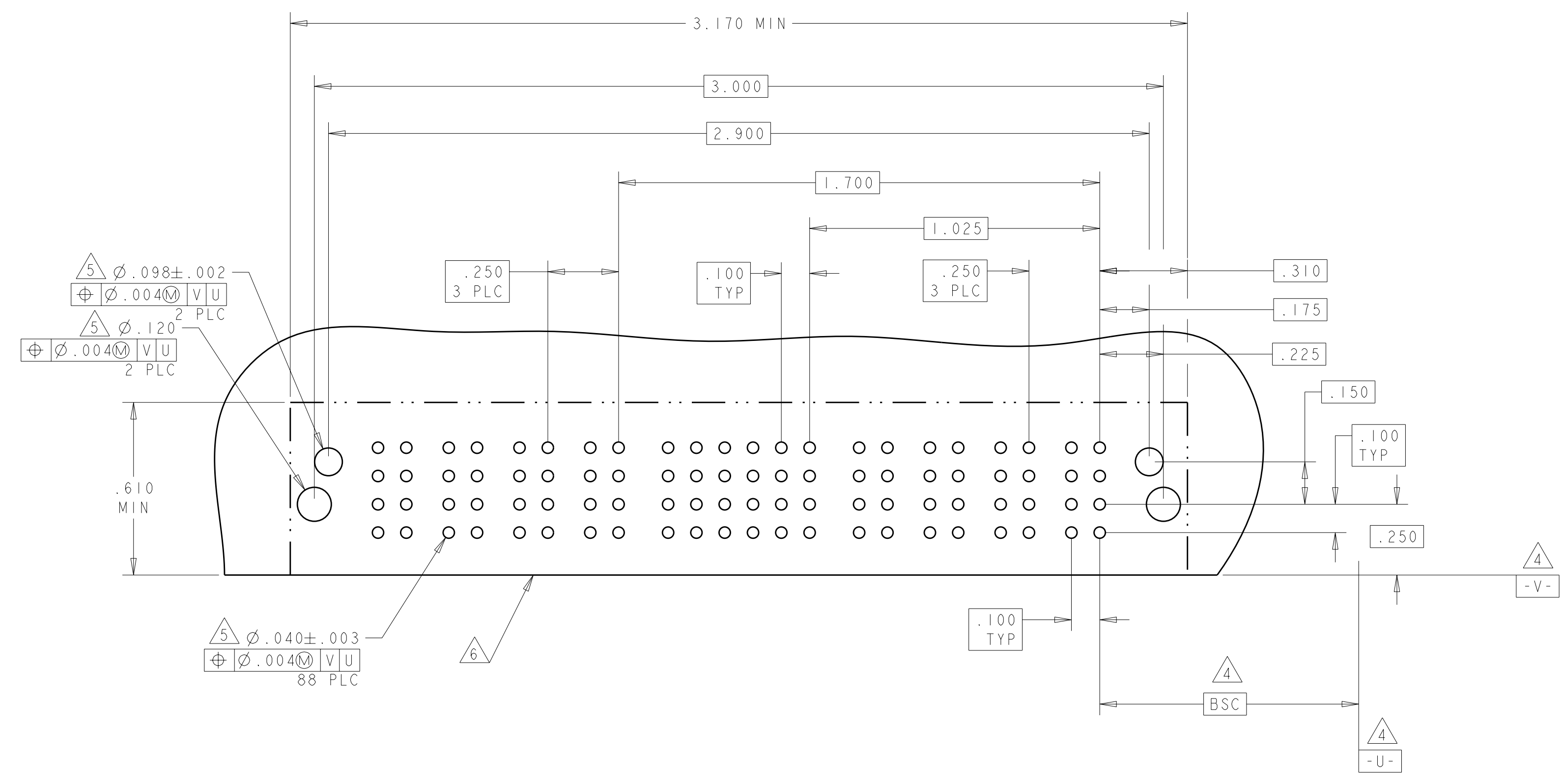


4P + 24S + 4P	1888765-1
DESCRIPTION	PART NUMBER

DIMENSIONS: INCHES 		TOLERANCES UNLESS OTHERWISE SPECIFIED: 9 PLC ± 1 PLC ± 2 PLC ± 3 PLC ±.005 4 PLC ± ANGLES ±° FINISH		DWN: S. ZHAO 16APR2007 CHK: S. ZHAO 16APR2007 APVD: S. YAO PRODUCT SPEC: 108-1973 APPLICATION SPEC: 114-13038 WEIGHT: - CUSTOMER DRAWING		Tyco Electronics Shanghai, P.R.China, 200233 NAME: RIGHT ANGLE RECEPTACLE ASSEMBLY W/ SHORT END MODULES MULTI-BEAM XLE SIZE: CAGE CODE DRAWING NO: A100779C=1888765 RESTRICTED TO: - SCALE: 4:1 SHEET 1 OF 2 REV 2	
------------------------	--	--	--	--	--	---	--

LOC	DIST	REV	DATE	BY	APPD
ES	00				
REVISIONS					

PART NUMBER	ROWS	POWER				SIGNAL					POWER				
		P8	P7	P6	P5	6	5	4	3	2	1	P4	P3	P2	P1
1888765-1	D	RK	RK	RK	RK	DD	DD	DD	DD	DD	DD	RL	RL	RL	RL
	C					CC	CC	CC	CC	CC	RL	RL	RL	RL	
	B					BB	BB	BB	BB	BB	RL	RL	RL	RL	
	A					AA	AA	AA	AA	AA	RL	RL	RL	RL	
4P + 24S + 4P															



SIGNAL CONTACT STD	DD
SIGNAL CONTACT STD	CC
SIGNAL CONTACT STD	BB
SIGNAL CONTACT STD	AA
POWER CONTACT, STD	RL
POWER CONTACT, MFBL	RK
DESCRIPTION	CODE

<small>THIS DRAWING IS UNPUBLISHED. RELEASED FOR PUBLICATION. ALL RIGHTS RESERVED. THIS IS SUBJECT TO CHANGE WITHOUT NOTICE. THE USER SHALL BE RESPONSIBLE FOR VERIFYING THE DIMENSIONS AND TOLERANCES OF THE PARTS AND ASSEMBLIES. THE USER SHALL BE RESPONSIBLE FOR CONTACTING THE SUPPLIER FOR THE LATEST REVISION.</small>		DWN: S. ZHAO 16APR2007 CHK: S. ZHAO 16APR2007 APVD: S. YAO	tyco Electronics Tyco Electronics Shanghai, P.R.China, 200233
DIMENSIONS: INCHES	TOLERANCES UNLESS OTHERWISE SPECIFIED: 9 PLC ± 1 PLC ± 2 PLC ± 3 PLC ±.005 4 PLC ± ANGLES ±° FINISH	NAME: S. YAO PRODUCT SPEC: 108-1973 APPLICATION SPEC: 114-13038 WEIGHT:	NAME: RIGHT ANGLE RECEPTACLE ASSEMBLY W/ SHORT END MODULES MULTI-BEAM XLE SIZE: CAGE CODE: DRAWING NO: A100779C=1888765 RESTRICTED TO:
MATERIAL: -	FINISH: -	CUSTOMER DRAWING	SCALE: 4:1 SHEET 2 OF 2 REV 2