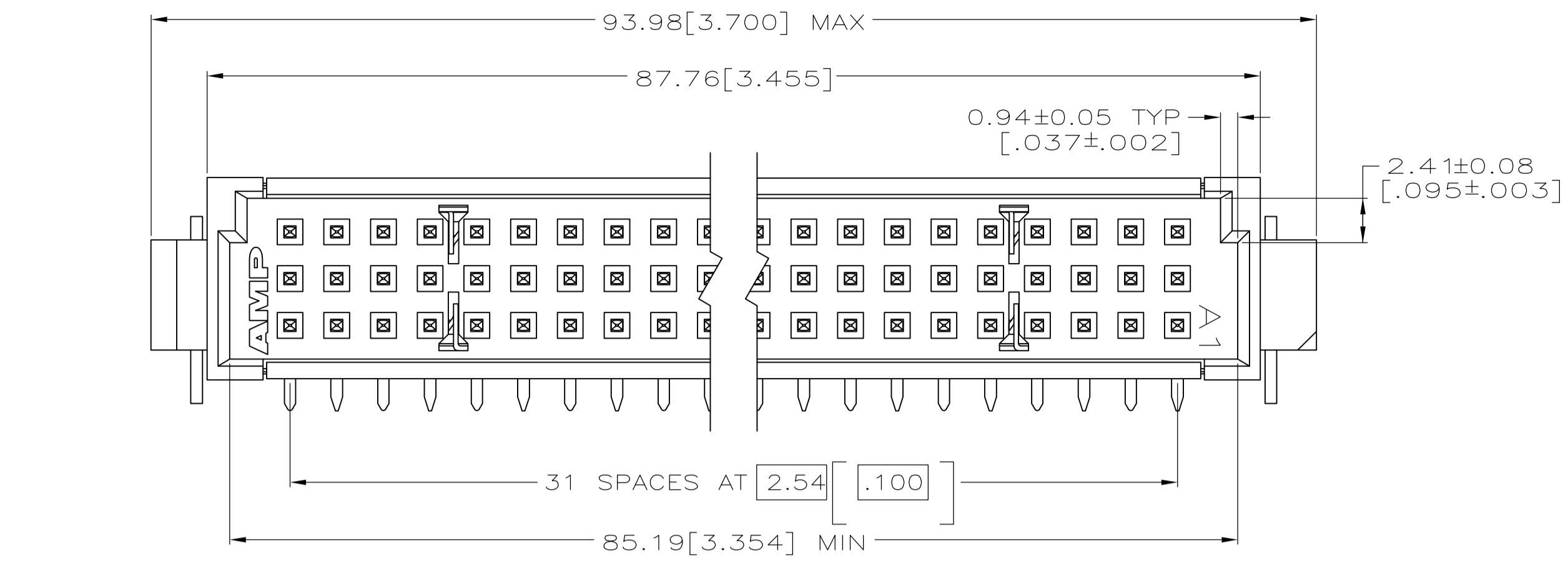
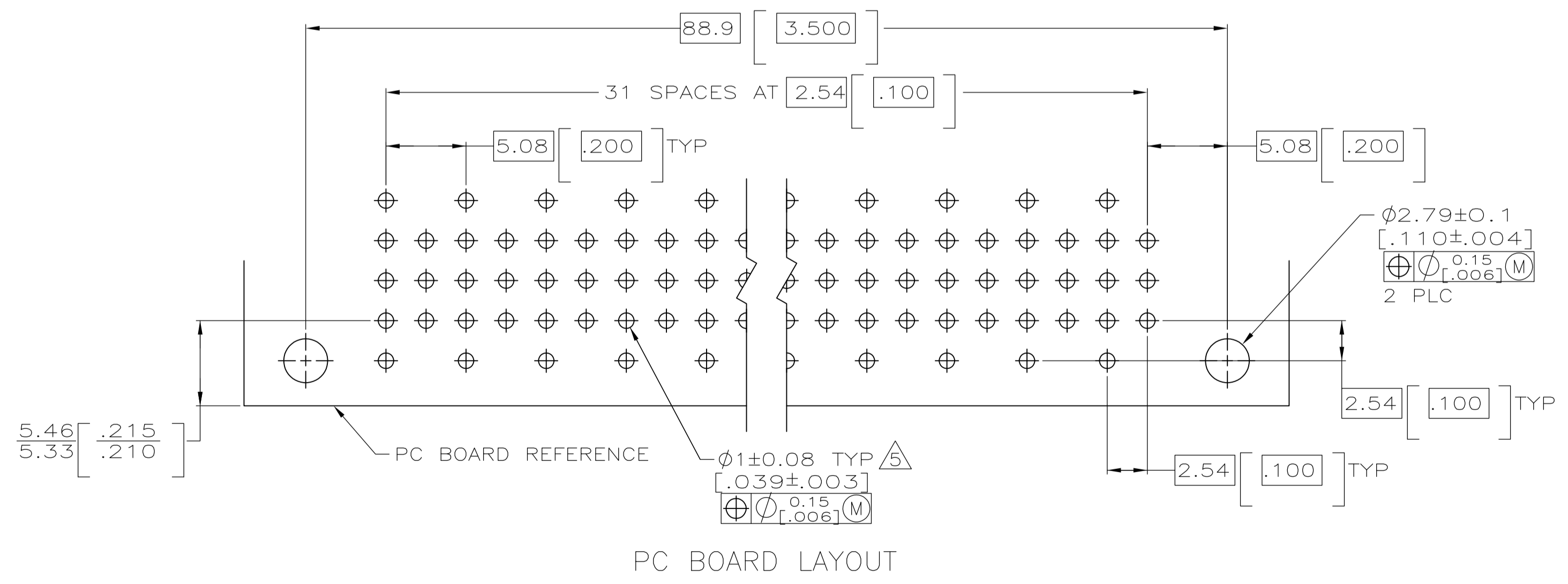
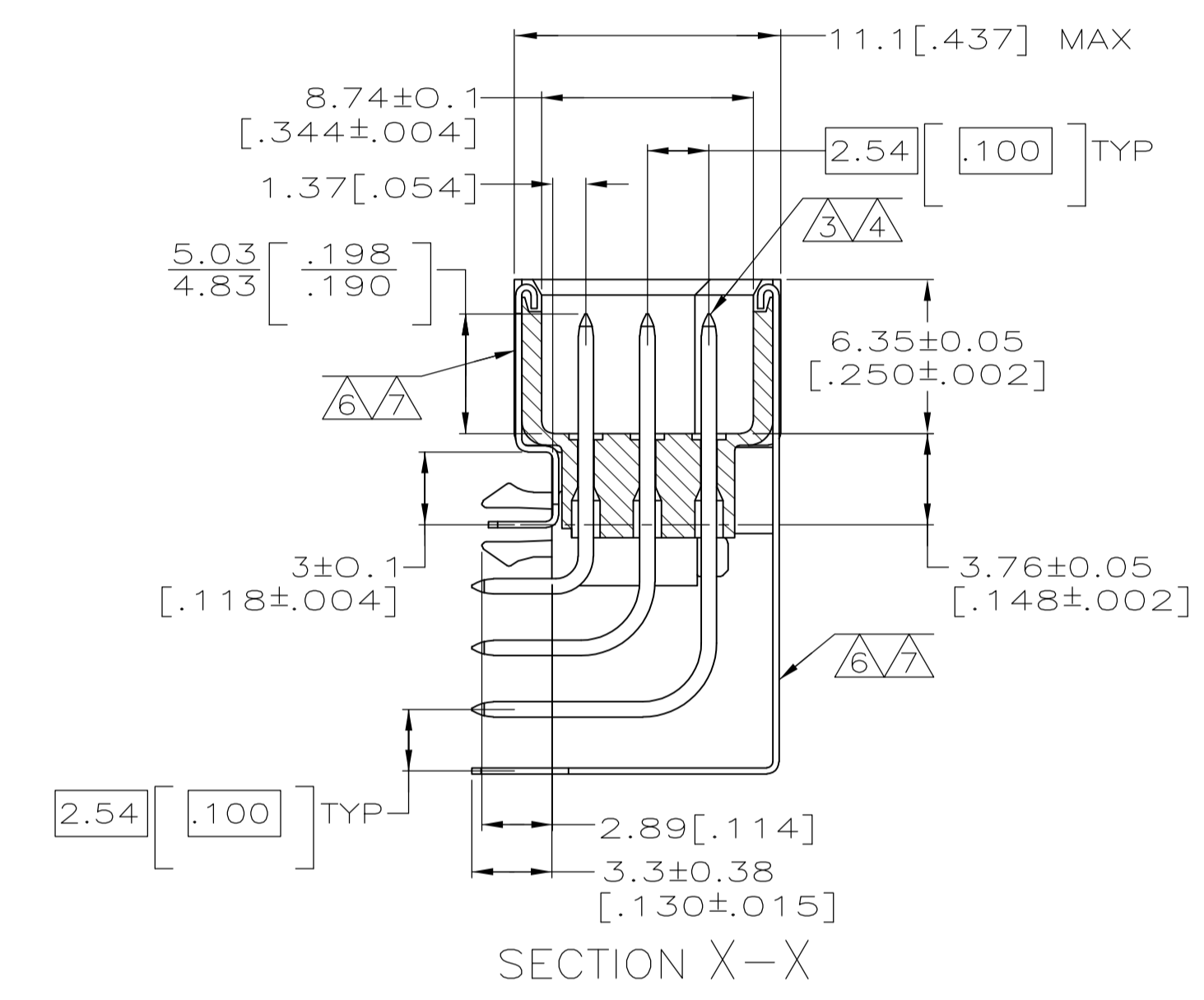
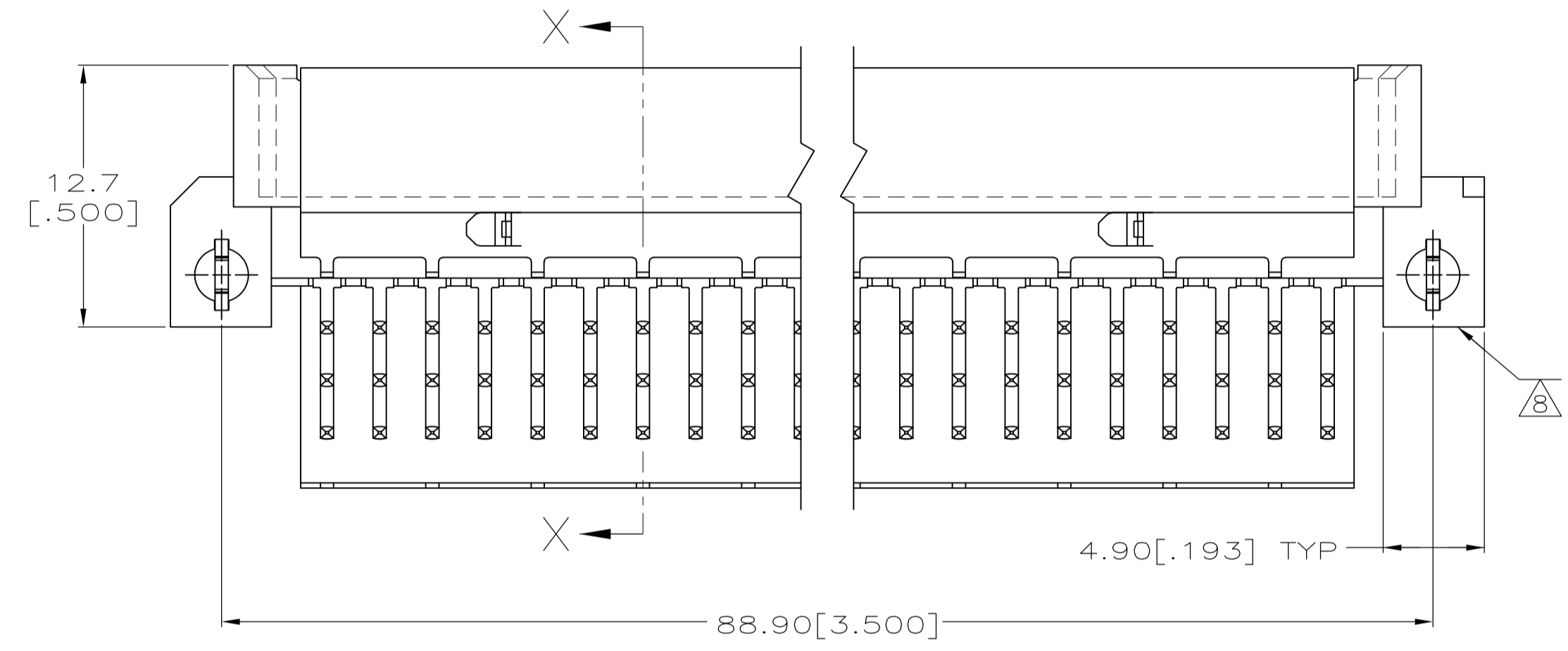


LOC		DIST		P		ZONE		LTR		REVISIONS			
AD	25									DESCRIPTION	DATE	APPD	
										F	REVISED PER ECO-07-007578	27APR97	DB



- ① HOUSING MATERIAL: HIGH TEMPERATURE, GLASS-FILLED POLYMER. COLOR: GREY OR WHITE
- ② POST AND GROUND PLATE MATERIAL: BRASS.
- ③ POST FINISH: DIN 41612 CLASS 2 IN CONTACT AREA. TIN-LEAD PLATE ON POSTS.
- ④ POST FINISH: DIN 41612 CLASS 3 IN CONTACT AREA. TIN-LEAD PLATE ON POSTS.
- ⑤ RECOMMENDED HOLE SIZE FOR MANUAL APPLICATION OF CONNECTOR ONTO PC BOARD.
- ⑥ GROUND PLATE FINISH: DIN 41612 CLASS 2 IN CONTACT AREA. TIN-LEAD PLATE ON POSTS.
- ⑦ GROUND PLATE FINISH: DIN 41612 CLASS 3 IN CONTACT AREA. TIN-LEAD PLATE ON POSTS.
- ⑧ MOLD REVISION DATE CODE MOLDED IN THIS AREA.



OBSOLETE	③⑥	9-536149-5
OBSOLETE	④④	536149-9
	③⑥	536149-5
FINISH		ASSY PART NUMBER

DO NOT SCALE PRINT. UNLESS SPECIFIED DIMENSIONS IN mm [INCHES]		PART NO	
DR L. BRINER 2/24/92	CHK D.C. RUBENDALL 3/8/92	AMP AMP Incorporated Harrisburg, PA 17105-3608	
APPD D.C. RUBENDALL 3/8/92	APPD D.C. RUBENDALL 3/8/92		
TOLERANCES - ON : 1 PLC DEC ± - 2 PLC DEC ± 0.13 [.005] ANGLES ± -		NAME PIN ASSEMBLY, ENHANCED EUROCARD WITH TWO EXTERNAL PLATES AND BOARD-LOCKS	
MATERIAL HSG: ① - POST: ② -		PRODUCT SPEC -	
FINISH POST: ③④ - GROUND PLATE: ⑥⑦		APPLICATION SPEC -	SIZE D 00779
		WEIGHT -	CAGE CODE 00779
		SCALE 4:1	DRAWING NO 536149
			SHEET 1 OF 1