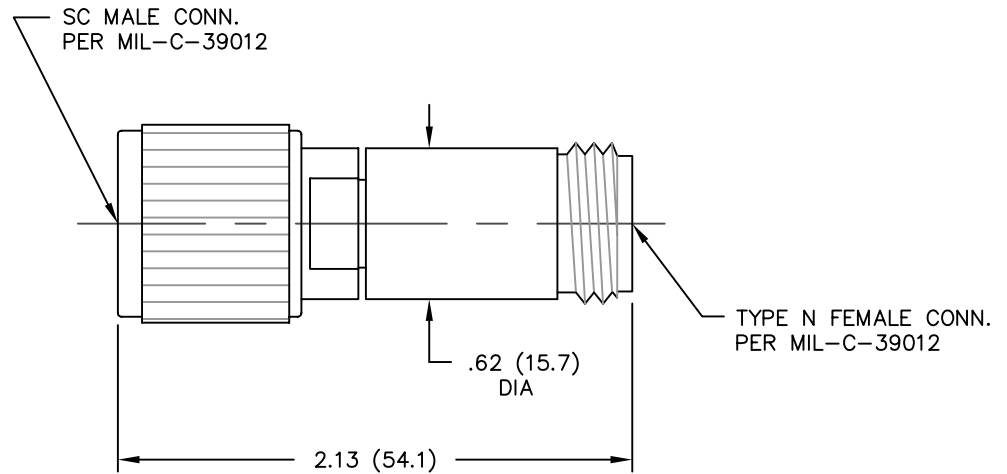


MODEL NUMBER
ADT-2619-NF-SCM-02

NOTES:

- 1.0 MATERIALS:
 - 1.1 HOUSINGS & NUT: STAINLESS STEEL PER ASTM-A582, TYPE 303.
 - 1.2 CENTER CONTACTS: BERYLLIUM COPPER ROD ALLOY C172, PER ASTM-B196.
 - 1.3 DIELECTRIC: PTFE FLUOROCARBON PER ASTM-D1457.
- 2.0 PLATING:
 - 2.1 HOUSINGS & NUT: PASSIVATED PER MIL-F-14072 AND QQ-P-35
 - 2.2 CENTER CONTACTS: GOLD PER MIL-G-45204 TYPE II, CLASS 2.
- 3.0 ELECTRICAL SPECIFICATIONS:
 - 3.1 FREQUENCY RANGE: DC to 11.0 GHz
 - 3.2 VSWR:
 - DC to 4.0 GHz 1.05:1
 - 4.0 to 8.0 GHz 1.10:1
 - 8.0 to 11.0 GHz 1.15:1
 - 3.3 IMPEDANCE: 50 OHMS.
- 4.0 DIMENSIONS IN PARENTHESIS ARE IN MILLIMETERS.
- 5.0 MECHANICAL:
 - 5.1 INTERFACE PER MIL-STD-348 IN ACCORDANCE WITH MIL-A-55339.
 - 5.2 CENTER CONTACT CAPTURED IN ACCORDANCE WITH MIL-A-55339.

ALL OTHER MECHANICAL, ELECTRICAL, AND ENVIRONMENTAL CHARACTERISTICS ARE IN ACCORDANCE WITH MIL-A-55339.



DWG. NO. WAS: 04561-01-00

REV.	DESCRIPTION	DATE
-	RELEASED	3/3/83
A	ECR 6545	3/3/89
A1	UPDATE MODEL #	8/10/92
B	ECN 12542	4/6/93
B1	ADDED TITLEBLOCK	3/10/05

NOTICE: The information contained in this drawing is proprietary and must not be used without the permission of Emerson Network Power. UNLESS OTHERWISE NOTED DIMENSIONS ARE IN INCHES AND TOLERANCES ARE: 3 PLACE DECIMALS ±.005 2 PLACE DECIMALS ±.02 FRACTIONS ±1/64 PARALLELITY: T.I.R. _____ FLATNESS: T.I.R. _____ CONCENTRICITY: T.I.R. _____ ANGLES AND PERPENDICULARITY: ±1'	CASE CODE 34078	MIDWEST MICROWAVE	
	 EMERSON Network Power Connectivity Solutions	TITLE ADAPTER SC MALE TO TYPE N FEMALE OUTLINE DRAWING	
DRAWN/DATE M.HOLLMAN 4/6/93 CHECKED/DATE A.BEATTY 4/9/93	ENG./DATE A.OSGA 4/9/93 APPROVED/DATE	DRAWING NUMBER ADT-2619-NF-SCM-02-01	REV. B1
SCALE: 5=1		SHEET 1 of 1	