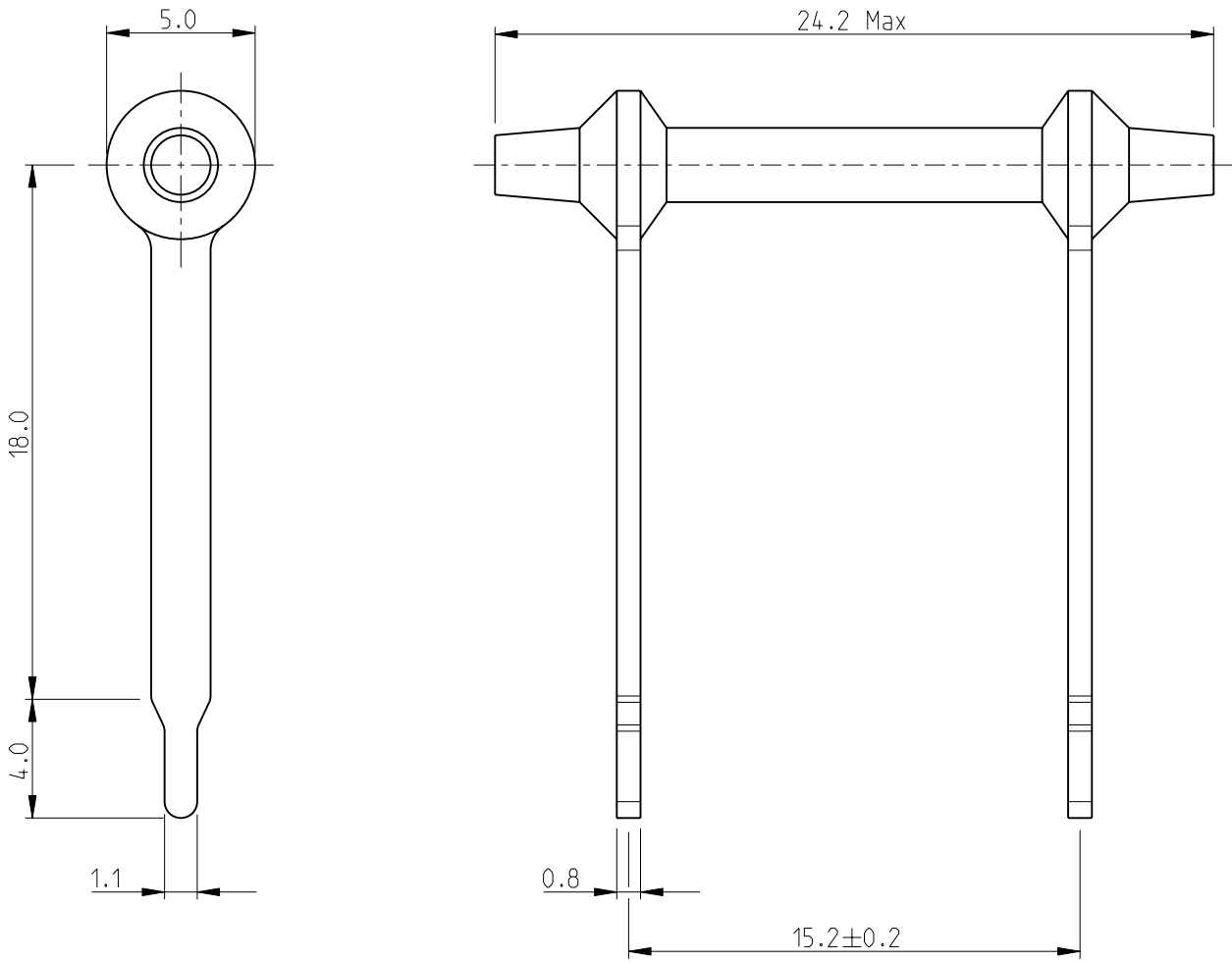
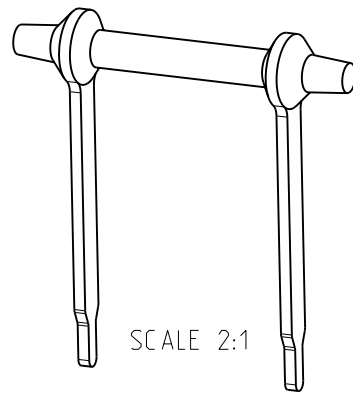


LOC	DIST	REVISIONS					
E	B	P	LTR	DESCRIPTION	DATE	DWN	APVD
		BA1		REVISED PER ECO-11-005150	29MAR2011	RK	HMR


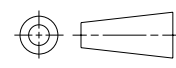


FOR FURTHER INFORMATION SEE DATA SHEET FOR SERIES FC- HIGH POWER RESISTORS

RoHS Compliant



2009
 RELEASED FOR PUBLICATION
 ALL RIGHTS RESERVED.
 BY -
 COPYRIGHT 2009
 THIS DRAWING IS UNPUBLISHED.

DIMENSIONS: mm	DWN	SUBHASH.M	05-AUG-09	MATERIAL	-	FINISH	-
	CHK	ALLAN.P	05-AUG-09	APVD	STEPHEN.P	 TE Connectivity	
TOLERANCES UNLESS OTHERWISE SPECIFIED:	0 PLC	± 0.5	PRODUCT SPEC	NAME			
	1 PLC	± 0.2	-	HIGH POWER RESISTORS			
2 PLC	± 0.1	APPLICATION SPEC	-	SERIES FCB4 (HIGH PROFILE STANDOFF)			
3 PLC	± -	-	SIZE	CAGE CODE	DRAWING NO	RESTRICTED TO	
4 PLC	± -	-	A 4	00779	© = 1623714	-	
ANGLES	± 5°	WEIGHT	-	CUSTOMER DRAWING			
		SCALE		4:1	SHEET 1 OF 1		REV BA1