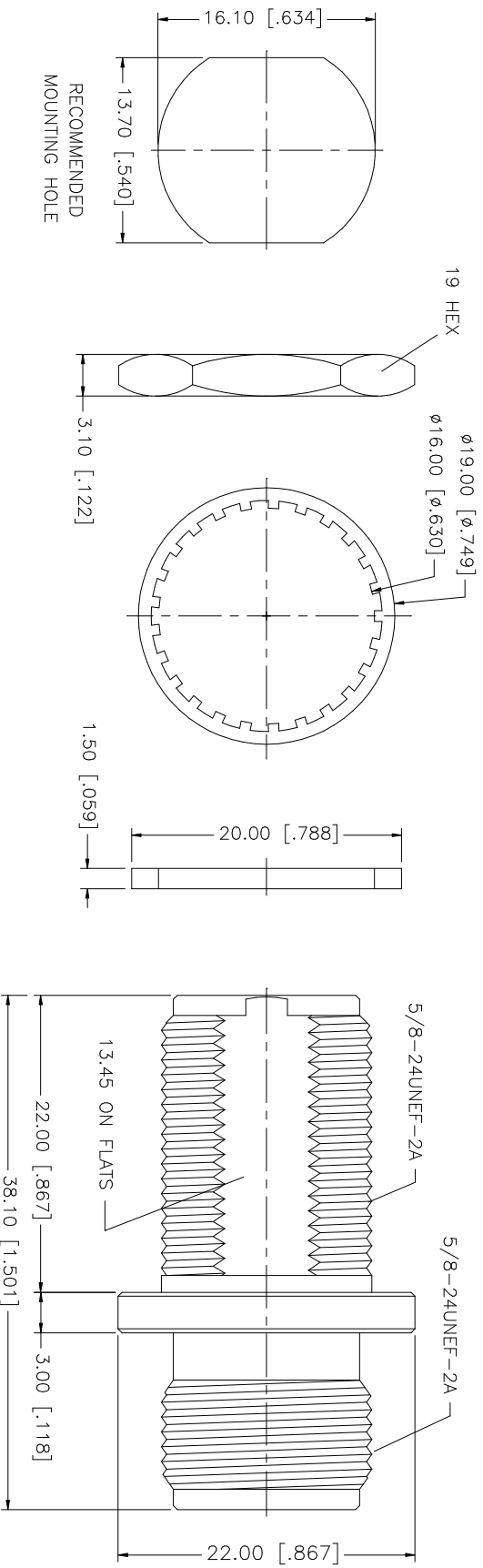


REV.	DATE	DESCRIPTION
NC	02/28/03	INITIAL RELEASE



NOTE:  
1. MAX. PANEL THICKNESS = 6.5mm [.255"]

QTY	DESCRIPTION	MATERIAL	FINISH	QTY	DO NOT SCALE DRAWING	CAD FILE	DWG. NO.	REV.	NC	SIZE	SCALE
1	HEX NUT	BRASS	NEXCOTE	1		C:/172/172124.DWG	172124.DWG	NC		A	NA
1	LOCK WASHER	BRASS	NEXCOTE	1							
1	GASKET	SILICONE	RED	1							
1	CONTACT PIN	PHOS. BRONZE	GOLD	1							
1	INSULATOR	TEFLON	NATURAL	1							
1	HOUSING/BODY	BRASS	NEXCOTE	1							
	DESCRIPTION	MATERIAL	FINISH	QTY	DO NOT SCALE DRAWING	CAD FILE	DWG. NO.	REV.	NC	SIZE	SCALE

**Amphenol Connex**

N JACK TO JACK BULKHEAD ADAPTER

172124