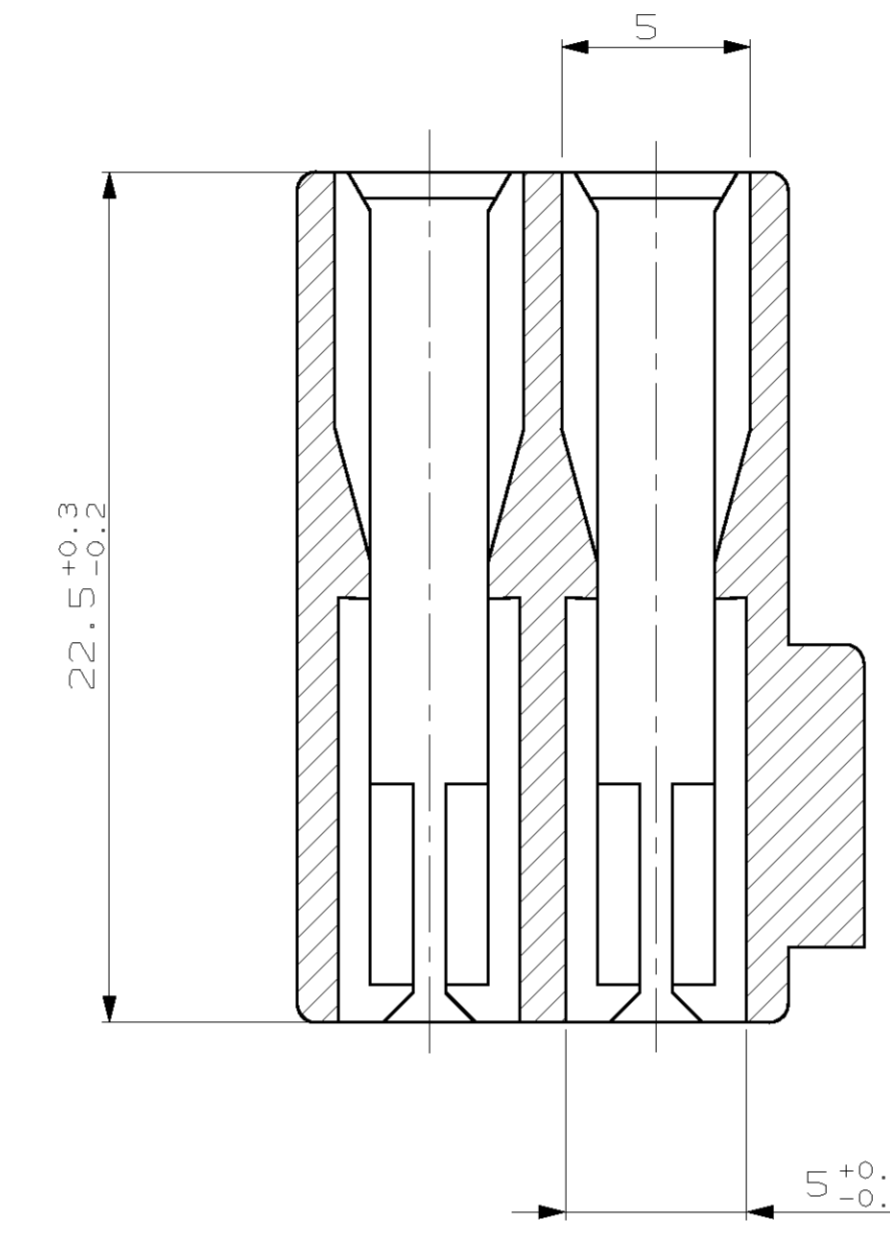


SECTION A-A  
Schnitt



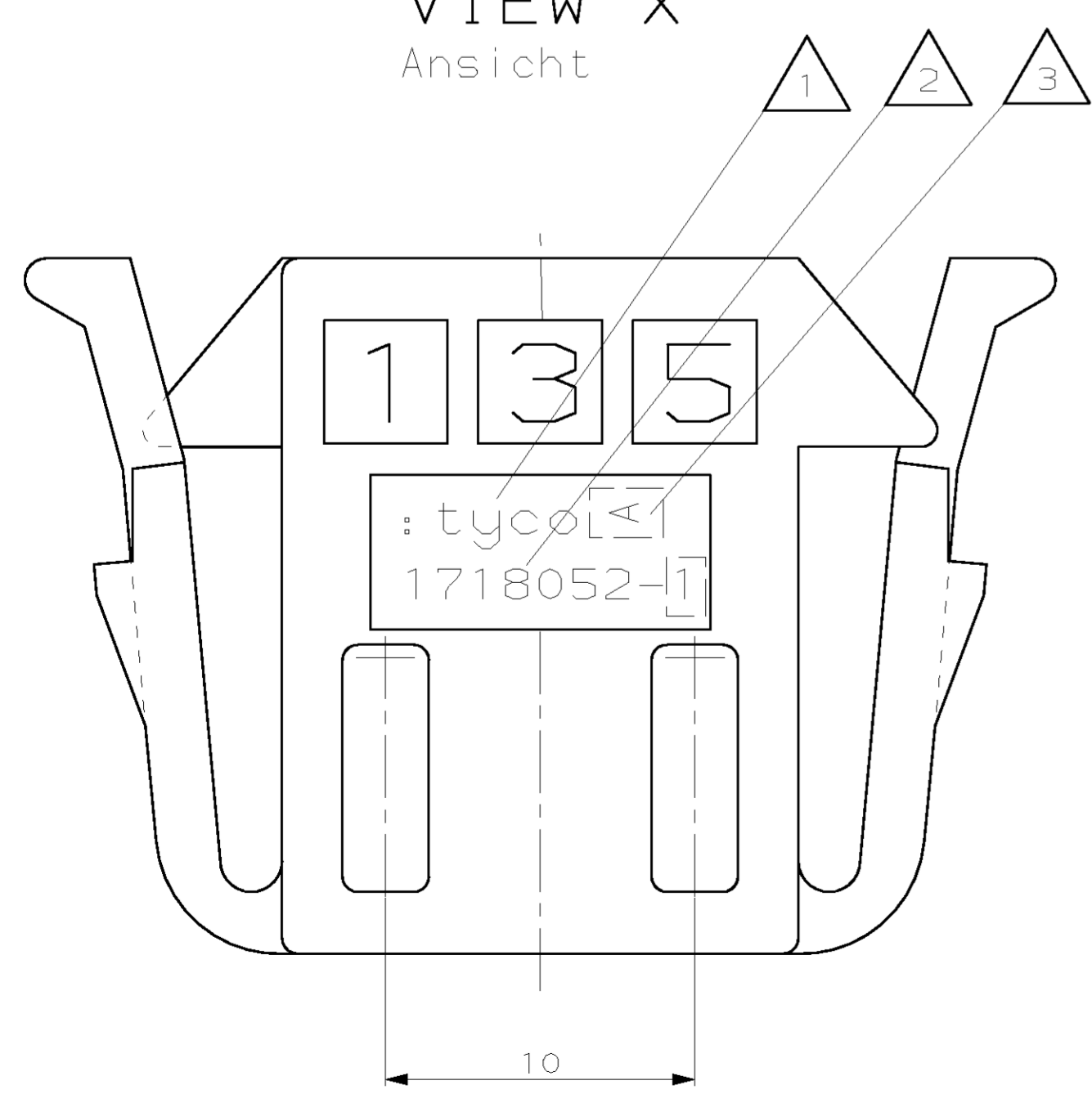
VIEW Z  
Ansicht

- NOTES
- 1 TYCO-LOGO
  - 2 TYCO-ORDER-NO.
  - 3 TOOL REVISION INDEX
  - 4 MATERIAL-CODE ACC. VDA 260
  - 5 DATE OF PROCESS
  - 6 CAVITY MARKING
  - 7 USED WITH CONTACTS ACC. TO PRODUCT GROUP DRAWING 1355046 OR CONTACTS ACC. TO PRODUCT GROUP DRAWING 1355047
  - 8 DIMENSION MEASURED IN 0° LOCKING-LATCH POSITION

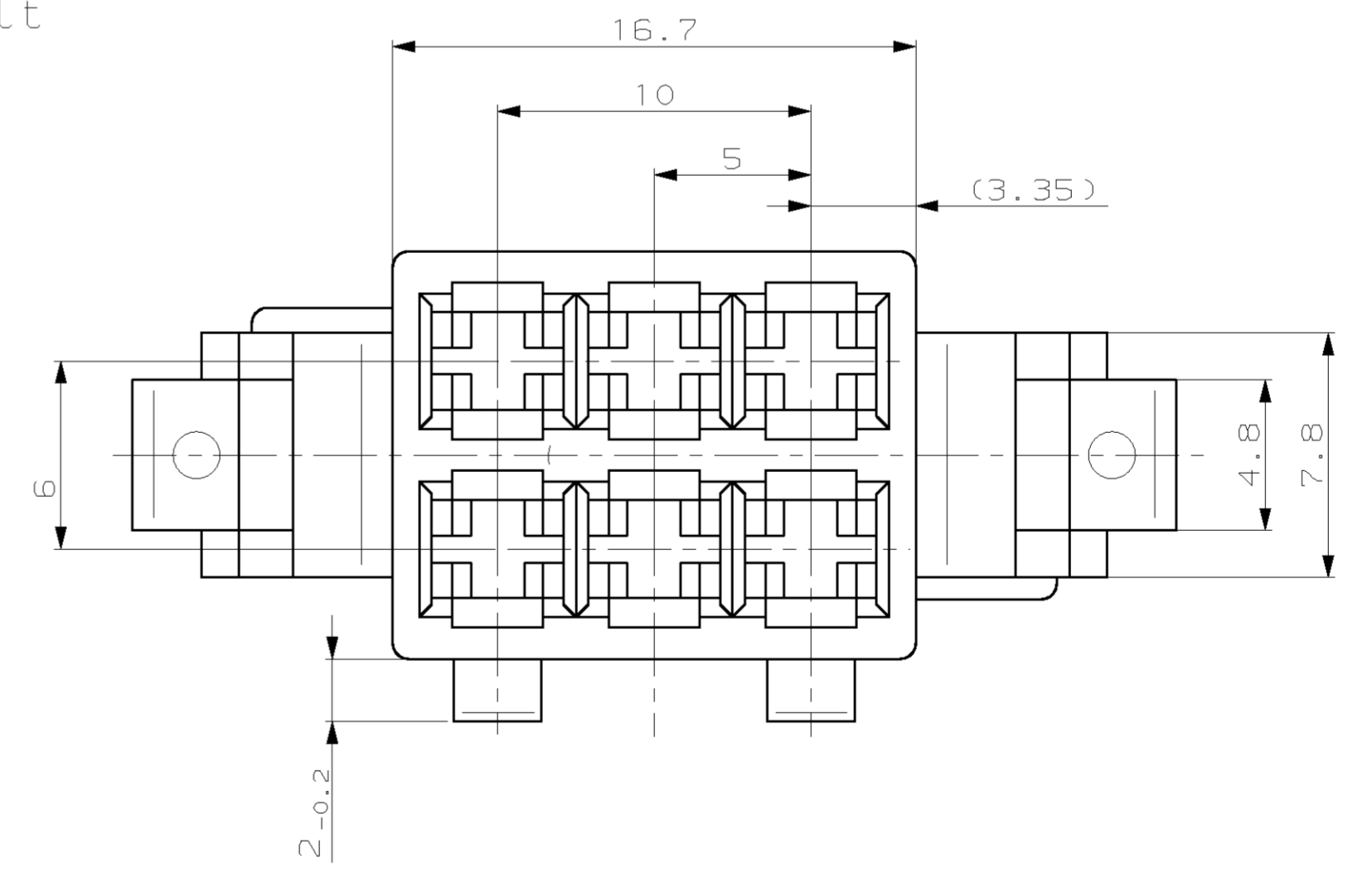
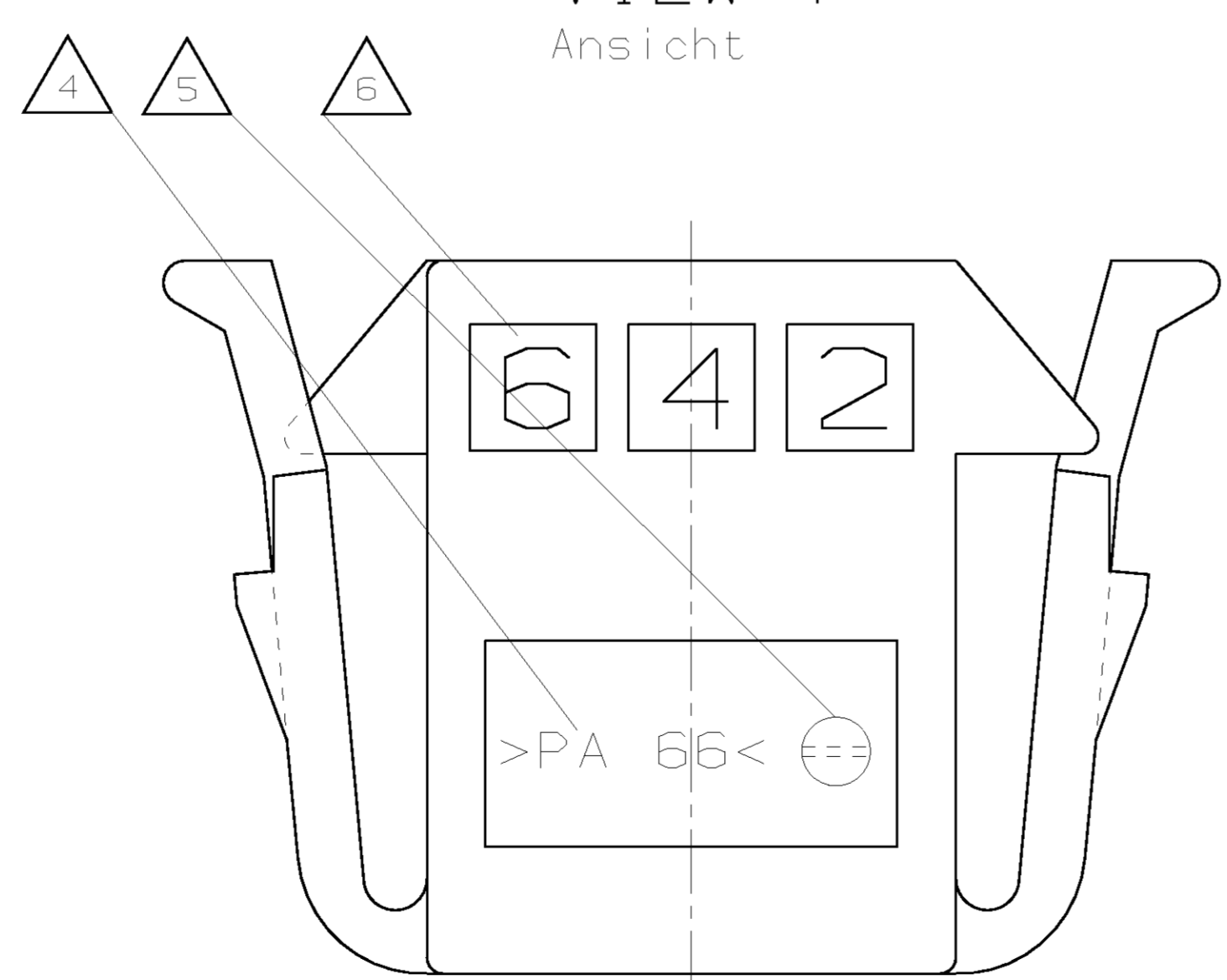
- Bemerkungen
- 1 Tyco-Logo
  - 2 Bestellnummer
  - 3 Werkzeugaenderungsindex
  - 4 Werkstoff-Kennzeichnung nach VDA 260
  - 5 Herstellungsdatum
  - 6 Kammer-Nummerierung
  - 7 verwendet mit Kontakten n. Tabellenzeichnung 1355046 oder mit Kontakten nach Tabellenzeichnung 1355047.
  - 8 Maß ist zu messen bei 0° Rastarmstellung

PN 1718052-1 AS SHOWN wie dargestellt

VIEW X  
Ansicht



VIEW Y  
Ansicht



AMP PART NO.	REV.	PCS.	MATERIAL	SURFACE COLOR	DESCRIPTION	ITEM NO.
1718052-1	A	-	PA 66	BLACK schwarz	HOUSING, 6 POSN Gehäuse, 6 pol.	-

<p>THIS DRAWING IS UNPUBLISHED. IT IS SUBJECT TO CHANGE AND THE CONTROLLING ENGINEER'S SIGNATURE SHALL BE OBTAINED FOR THE LATEST REVISION. QUOTES OF THIS DRAWING SHOULD BE INCORPORATED IN ALL PURCHASE ORDERS. FOR SOCIAL RESPONSIBILITY INFORMATION, VISIT WWW.AMP.COM</p>	<p>DATE: 03-SEP-03                  BY: S. Glaser                  APPV: R. Schaefer</p>	<p>AMP                  tyco Electronics AMP GmbH                  D - 64625 Bensheim</p>
<p>DIMENSIONS: mm                  TOLERANCES UNLESS OTHERWISE SPECIFIED:                  ALL DIMENSIONS UNLESS OTHERWISE SPECIFIED:                  FRACTIONAL DECIMALS: ±0.15                  DECIMALS: ±0.15                  ANGLES: ±0.15                  FINISH/SURFACE COLOR: BLACK schwarz</p>	<p>APPLICATION SPEC: GEHAEUSE                  VERARBEITUNGSSPEZ. 3.8 g                  CUSTOMER DRAWING: /KUNDENZEICHNUNG</p>	<p>HOUSING, JUNIOR POWER TIMER CONTACTS, 6 POSN                  Gehäuse Junior Power Timer Kontakte, 6 pol.</p> <p>SIZE: A1                  DRAWING NO.: 00779                  DRAWING NO.: 1718052</p>