

D

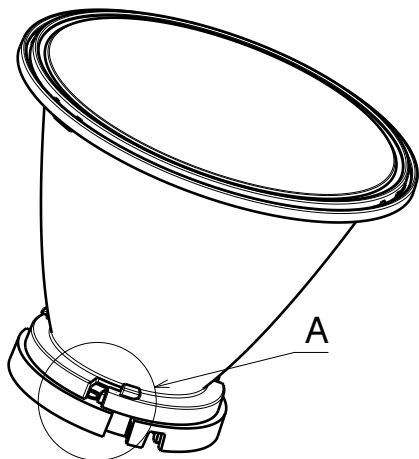
C

B

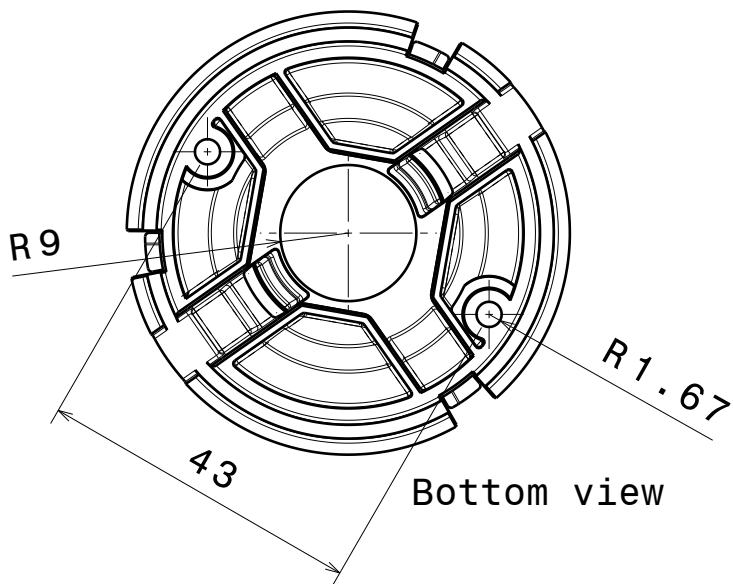
A

4

4



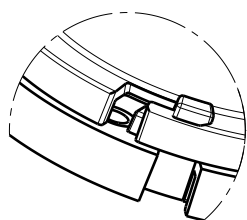
Isometric view



Bottom view

3

3

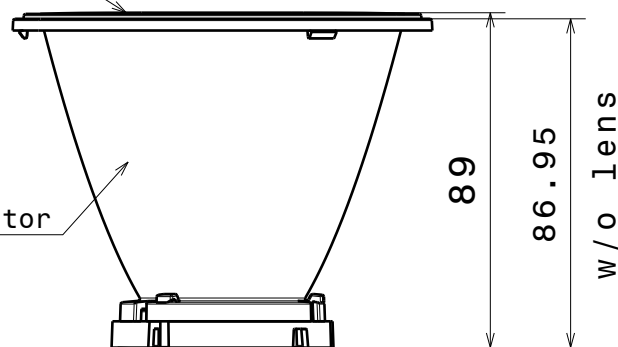


Detail A

Lena lens (optional)

Lena reflector

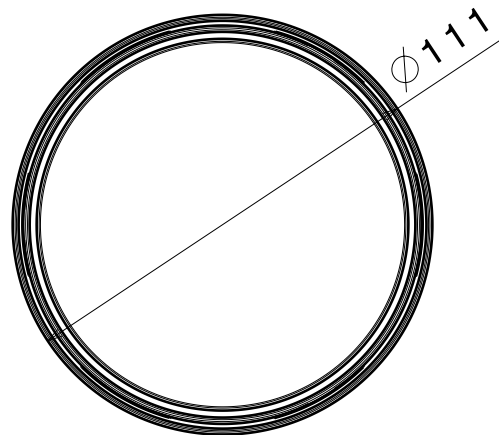
Lena base MEZ



Front view

2

2



Top view

This drawing is our property.
It can't be reproduced
or communicated without
our written agreement.



Ledil Oy
Salorankatu 10
FIN-24100 SALO
Finland

DRAWING TITLE

Datasheet Lena-MEZ

DRAWN BY
ah

DATE
14.12.2012

CHECKED BY
pl

DATE
14.12.2012

SIZE
A4

DRAWING NUMBER

-

REV
2

DESIGNED BY
pl

DATE
14.12.2012

SCALE 1:2 WEIGHT (g)

SHEET 1/1

D

A

1

1