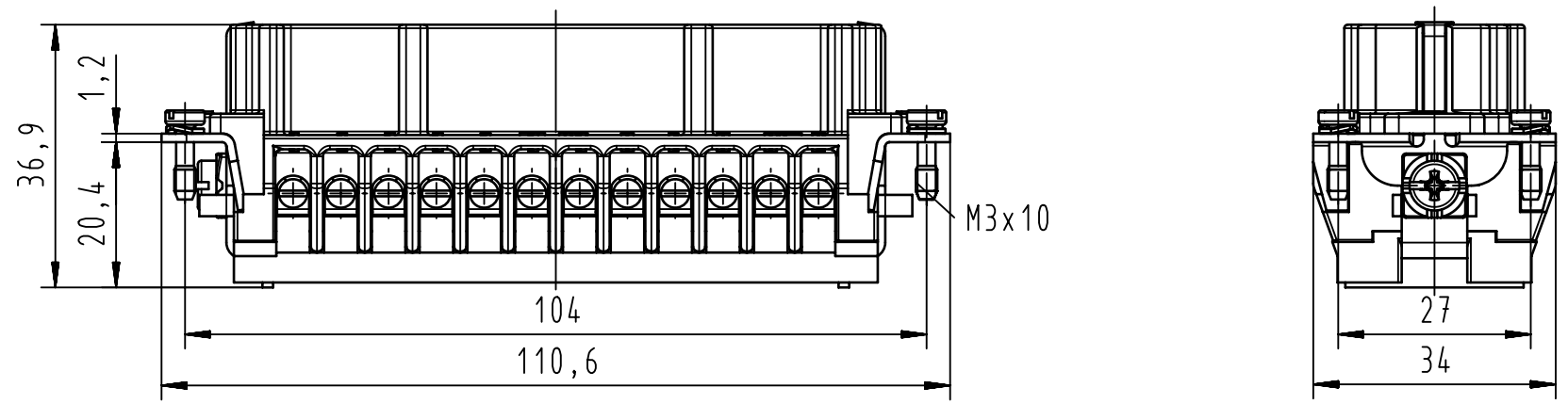
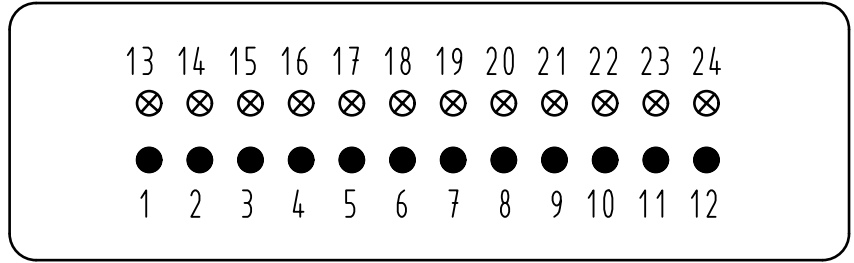


A



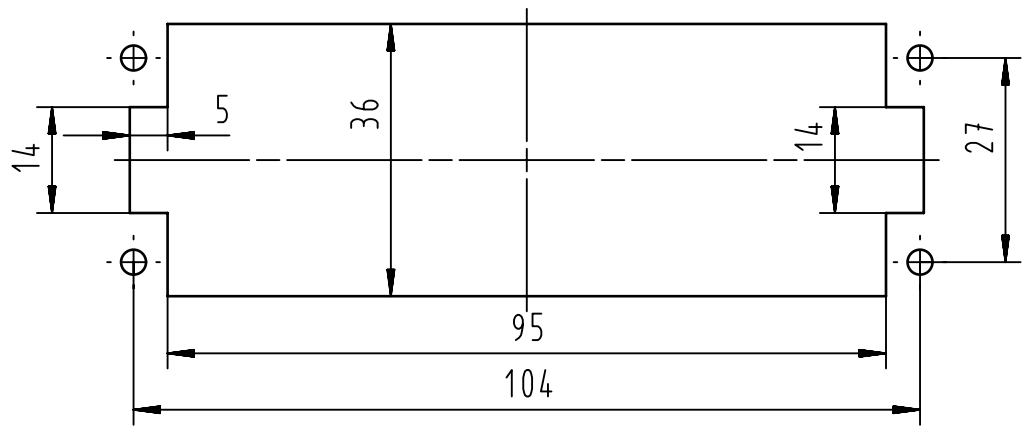
B

view from termination side



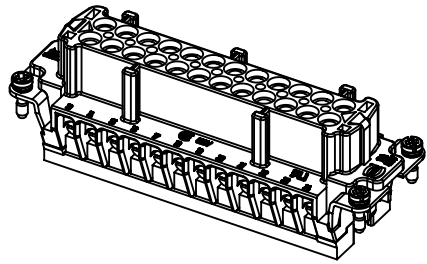
- ⊗ contacts Fe (gold plated)
- contacts CuNi

panel cut out



C

D



	All Dimensions in mm Original Size DIN A4		Scale 1:1	Free size tol.		Ref. Sub. TB 09 33 024 2791 v. 18.10.02		
		All rights reserved		Created by RULLKOETTER	Inspected by SCHNIEDER	Standardisation TIEMANNA	Date 2012-06-27	State Final Release
Department EL PD - DE		Title Han 24E-F-s				Doc-Key / ECM-Nr. 100130060/UGD/000/A 500000053025		
HARTING Electric GmbH & Co. KG D-32339 Espelkamp			Type TB	Number 09 33 024 2791			Rev. A	Page 1/1