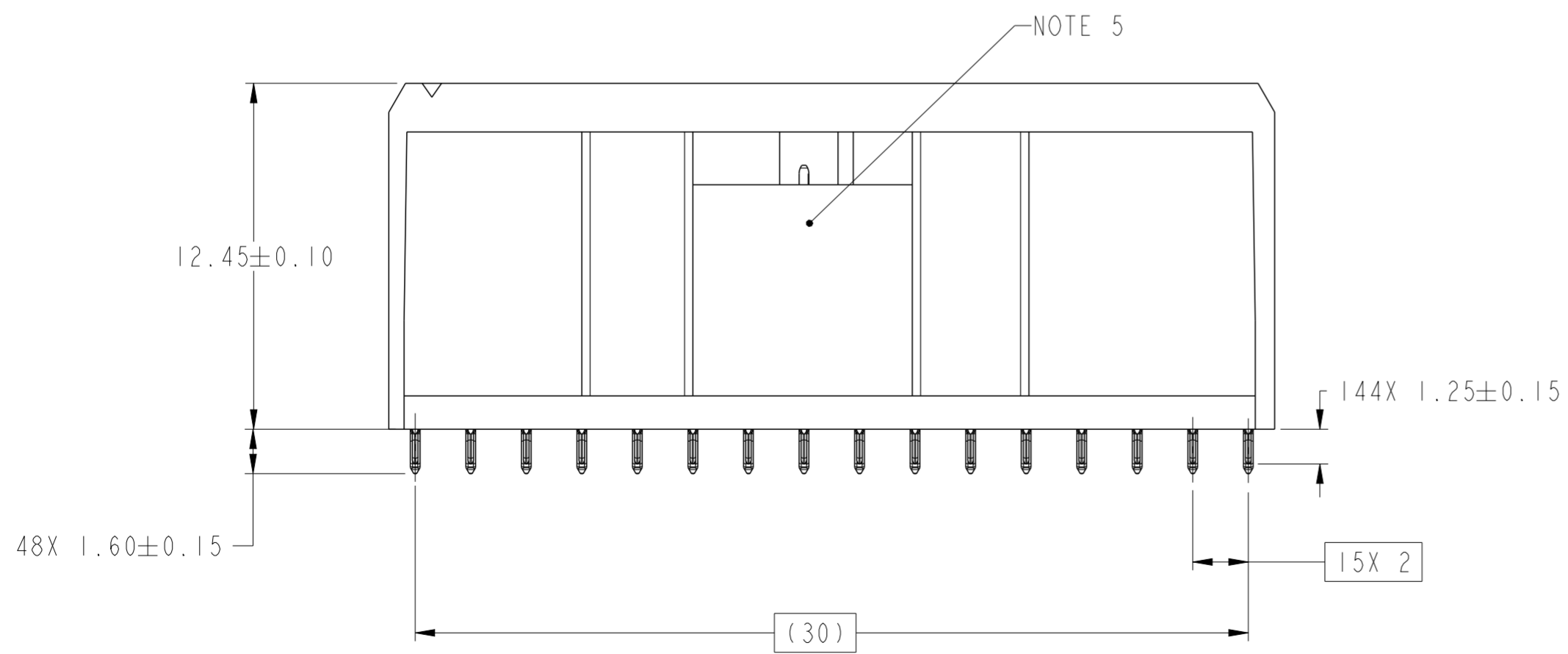
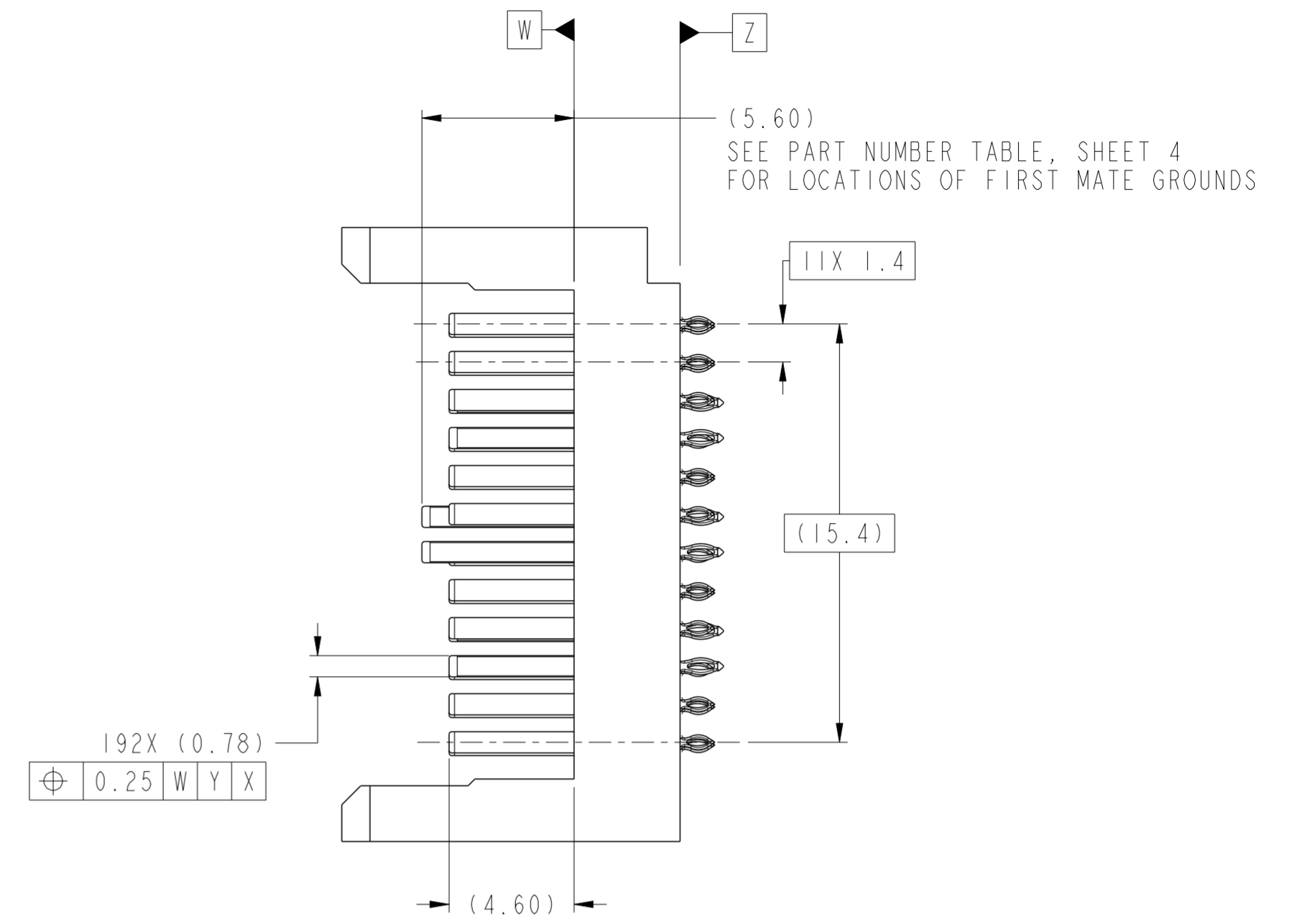
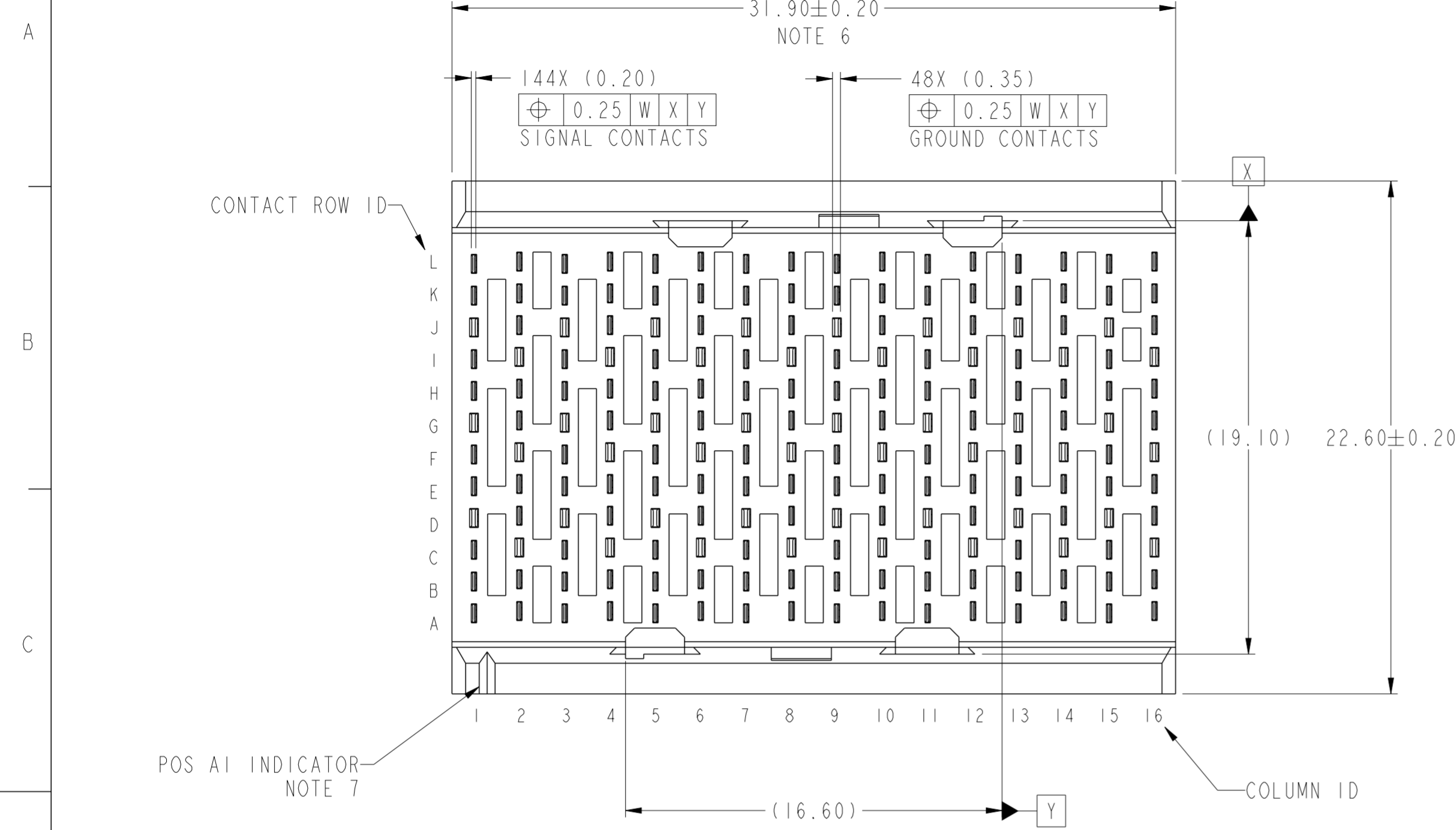


Product number
SEE TABLE, SHT 4



spec ref	-	dr	Mark Gray	2011/05/23	projection	MM	size	A2	scale	5:1
tolerance std	ASME Y14.5	eng	Kou Xu	2014/06/05		MM	ecn no	ELX-DG-17847-1	rel level	Released
TOLERANCES UNLESS OTHERWISE SPECIFIED		chr	Zhi-Guo Qiao	2014/06/23						
		appr	Collins Lu	2014/06/23						
surface	ASME Y14.5	linear	0.X	±0.3	product family	AIRMAX VS	div no	10118260	rev	C
		angular	0°	±2°	www.fci.com	cat. no.	Product - Customer Drw	sheet 1 of 4		

PDS: Rev :C

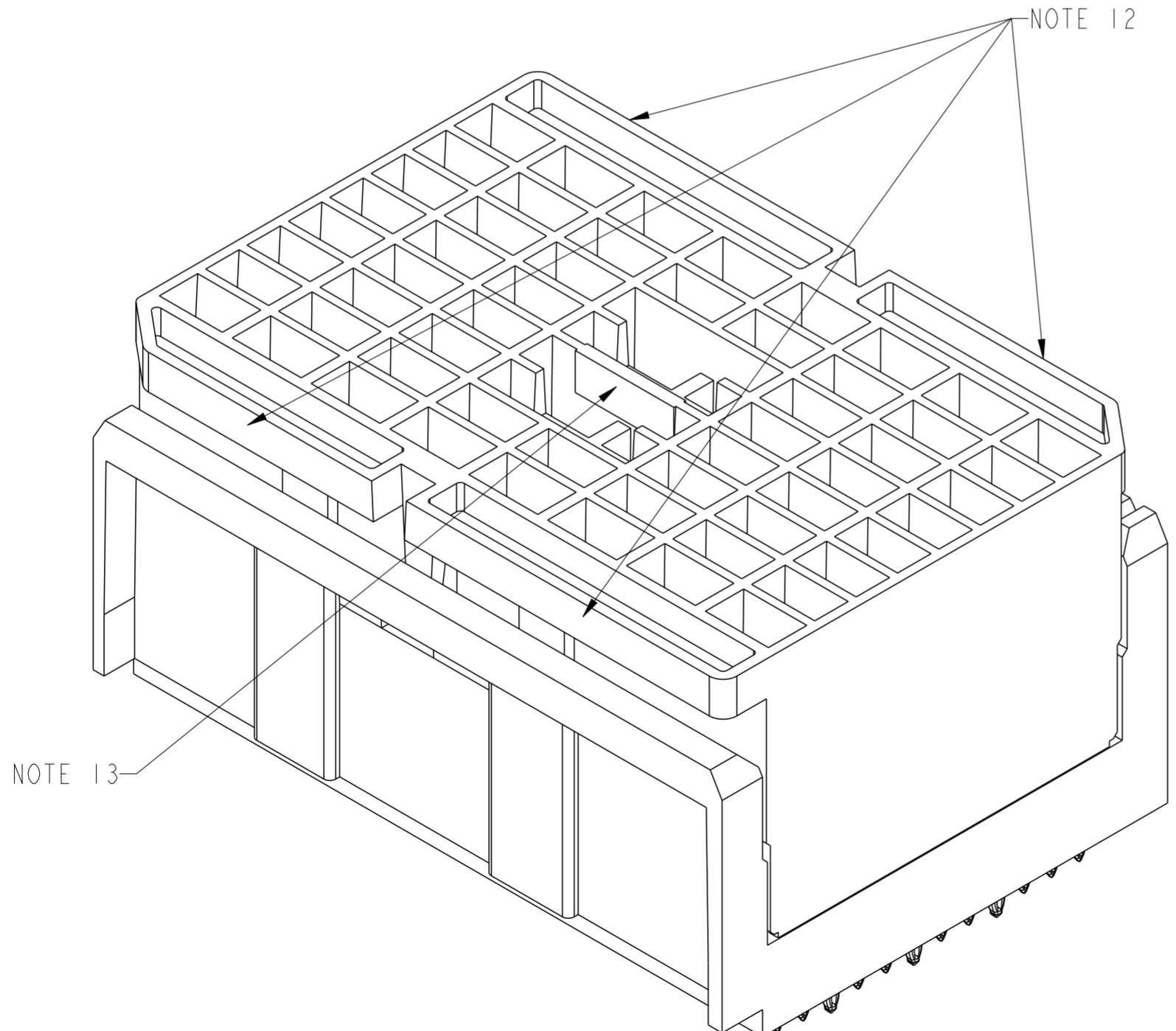
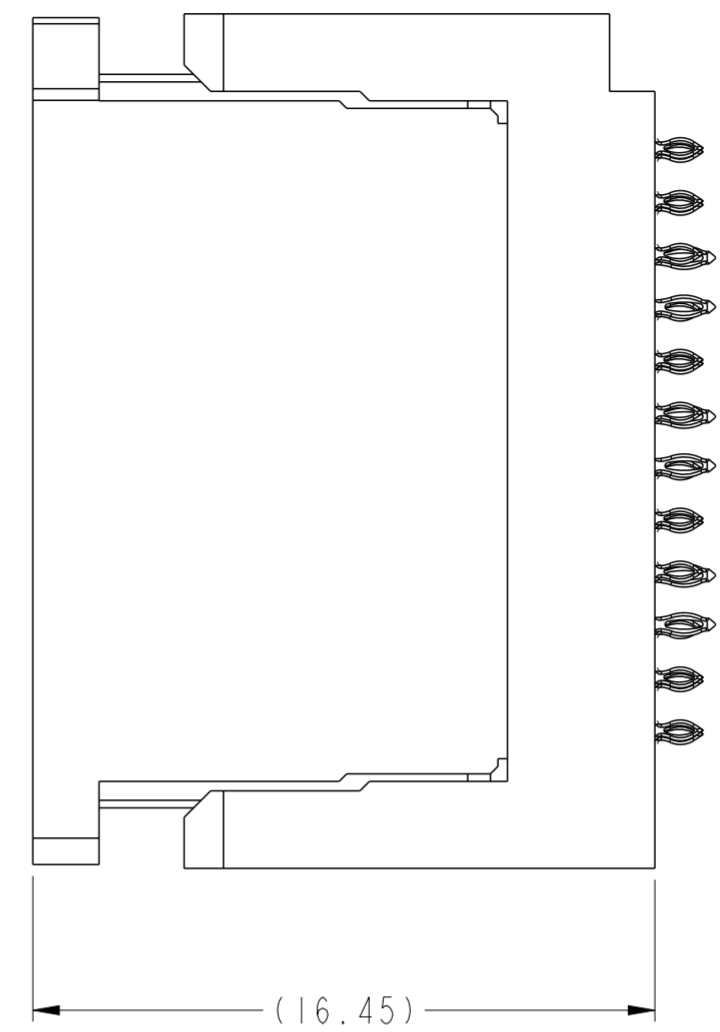
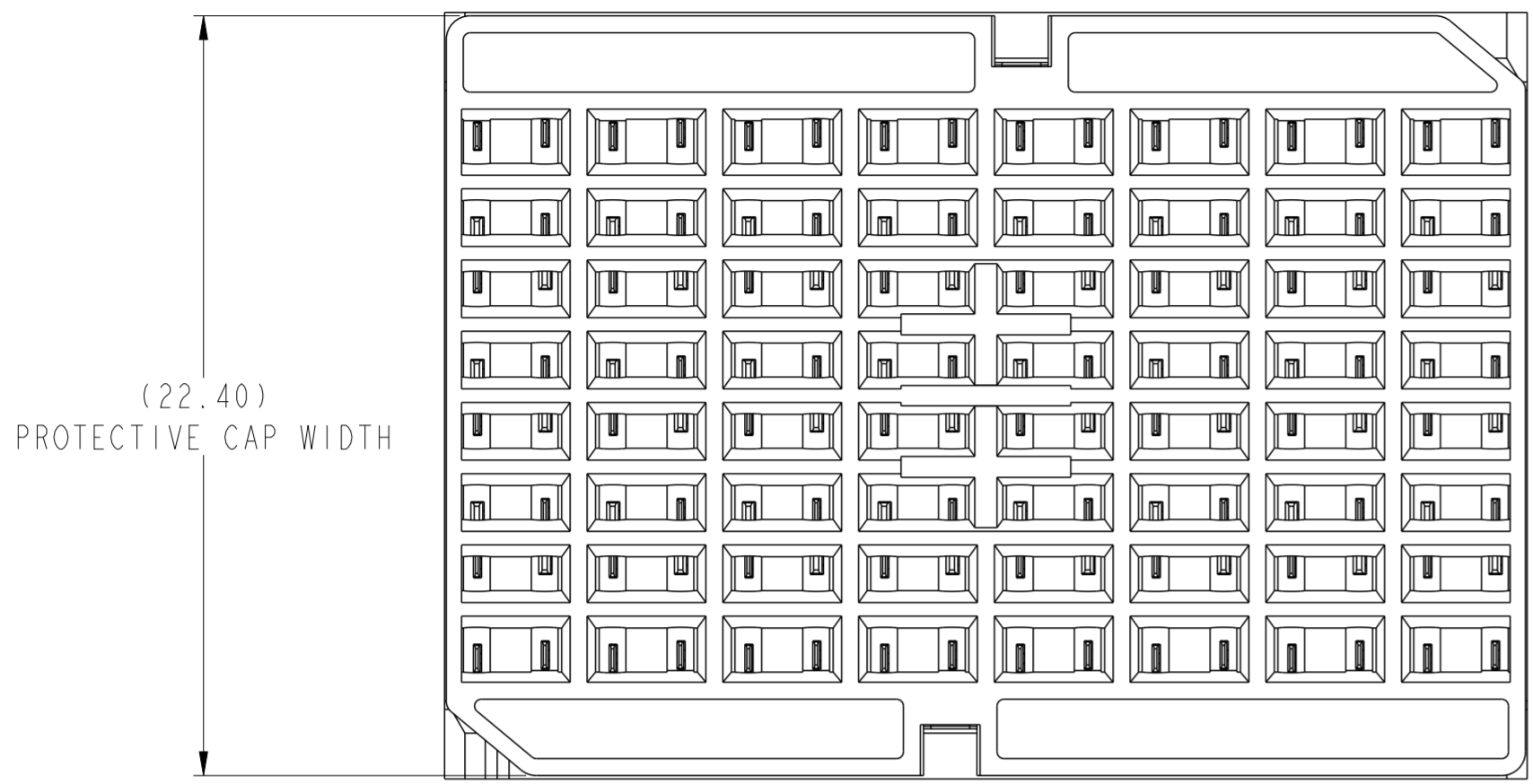
STATUS:Released

Printed: Jun 24, 2014

Copyright FCI. FCI

1 2 3 4 5 6 7 8

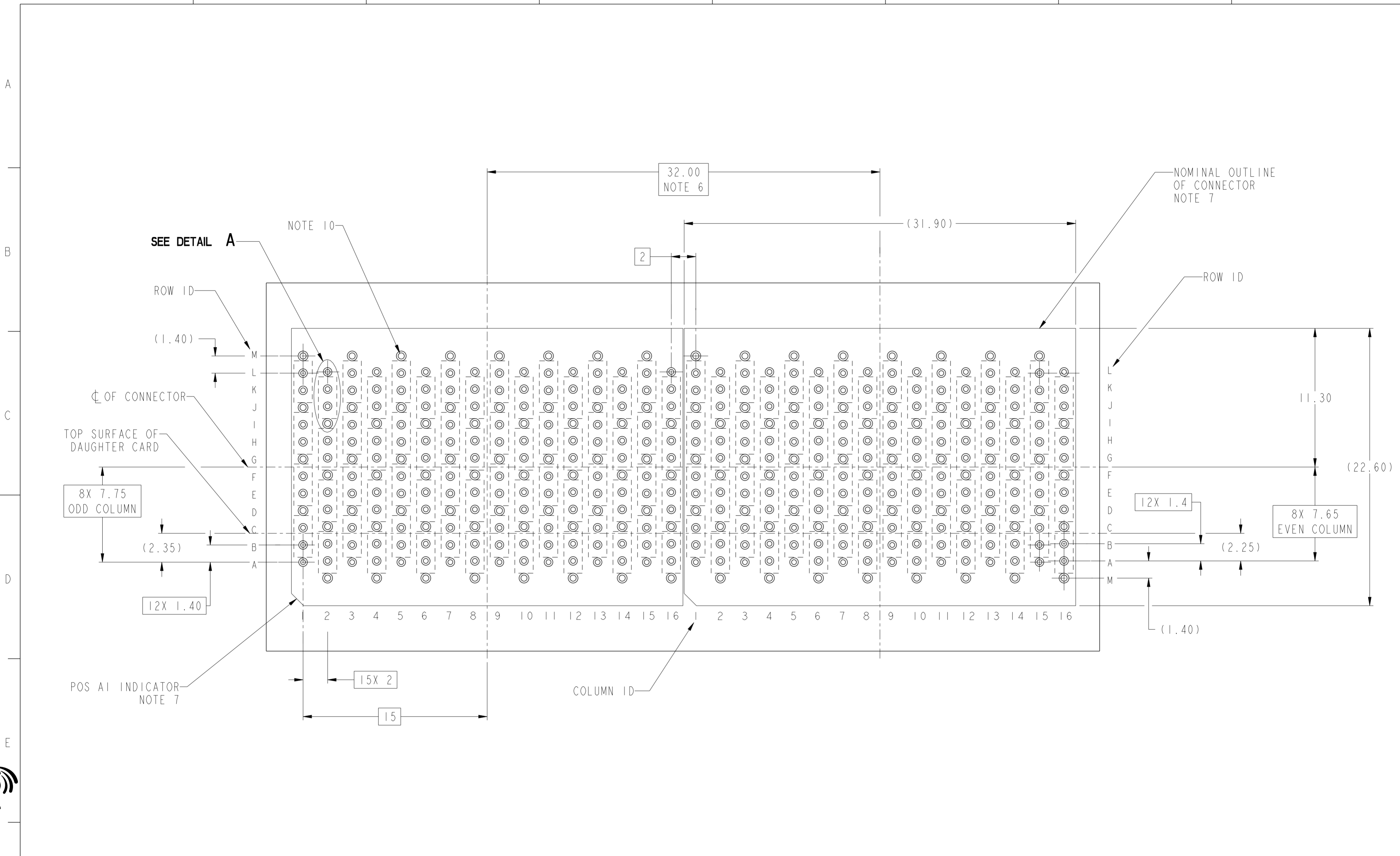
A B C D E F



VIEWS SHOWN WITH PROTECTIVE COVER INSTALLED

Copyright FCI. FCI

spec ref	-	dr	Mark Gray	2011/05/23	projection	MM	size	A2	scale	5:1			
tolerance std	ASME Y14.5	eng	Kou Xu	2014/06/05			ecn no	ELX-DG-17847-1					
TOLERANCES UNLESS OTHERWISE SPECIFIED		chr	Zhi-Guo Qiao	2014/06/23			rel level	Released					
		appr	Collins Lu	2014/06/23			product family	AIRMAX VS					
surface	✓	linear	0.X	±0.3		AIRMAX VSE VERTICAL HEADER SMALL PRESS-FIT, 192 POS, 32 mm	divg no 10118260	rev C	www.fci.com				
			0.XX	±0.10					cat. no.	Product - Customer Drw		sheet 2 of 4	
		angular	0°	±2°									



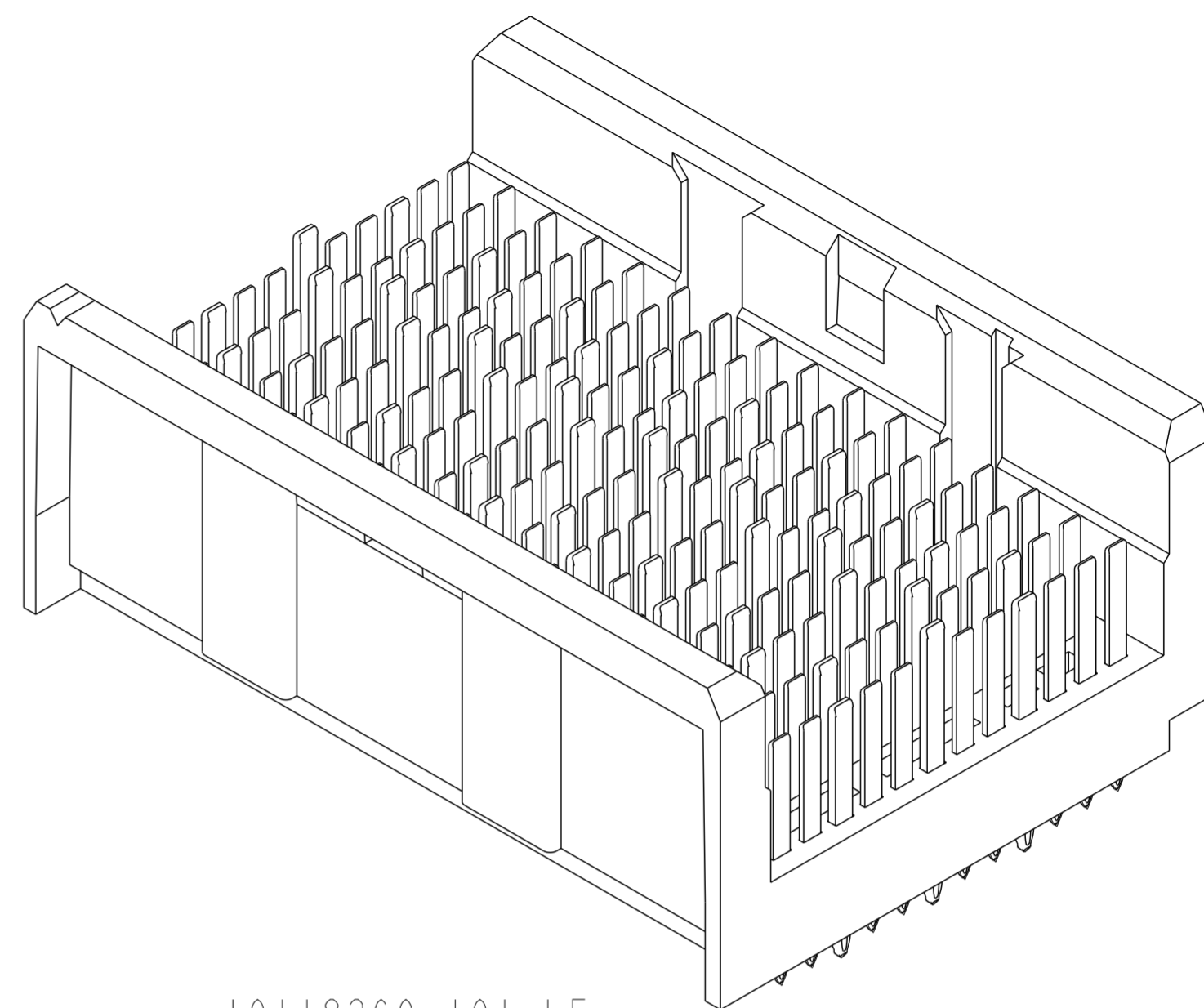
RECOMMENDED PCB LAYOUT
FOR DIFFERENTIAL APPLICATIONS,
COMPONENT SIDE
(TWO ADJACENT FOOTPRINTS SHOWN)
NOTES 6, AND 8

spec ref	-	dr	Mark Gray	2011/05/23	projection	MM	size	A2	scale	2:1	
tolerance std	ASME Y14.5	eng	Kou Xu	2014/06/05			ecn no	ELX-DG-17847-1			
TOLERANCES UNLESS OTHERWISE SPECIFIED		chr	Zhi-Guo Qiao	2014/06/23			rel level	Released			
		appr	Collins Lu	2014/06/23			product family	AIRMAX VS			
surface	✓	linear	0.X	±0.3			AIRMAX VSE VERTICAL HEADER SMALL PRESS-FIT, 192 POS, 32 mm		10118260		
			0.XX	±0.10							
			0.XXX	±0.050							
ASME Y14.5	angular		0°	±2°	www.fci.com	cat. no.	Product - Customer Drw		sheet 3 of 4		

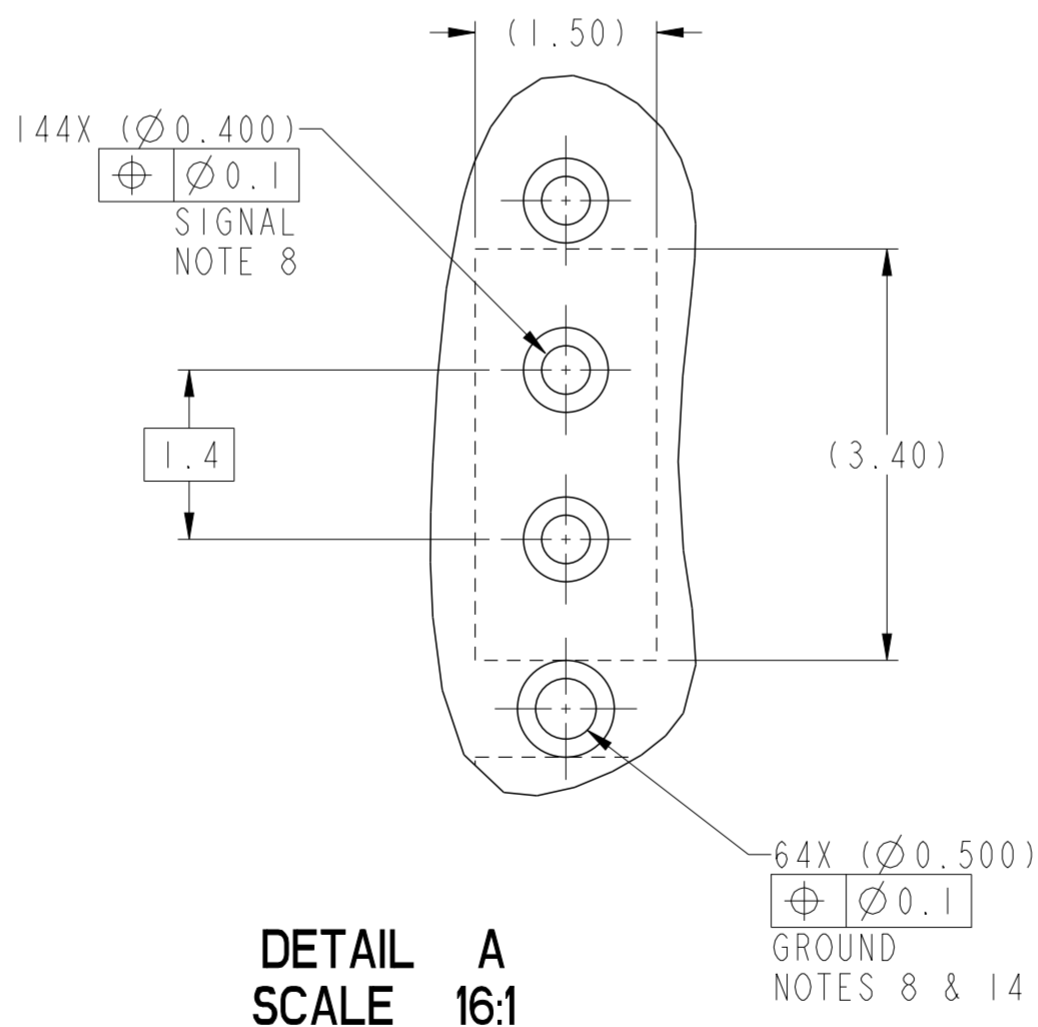
PART NUMBER	PRESS-FIT TAIL PLATING TYPE	PROTECTIVE COVER	FIRST MATE PIN LOCATIONS (5.6mm)
10118260-101LF	TIN OVER NICKEL (LEAD FREE)	YES	F2, F4, F6, F8, F10, F12, F14, F16 G1, G3, G5, G7, G9, G11, G13, G15

NOTES:

1. CONNECTOR MATERIALS:
HOUSING: HIGH TEMP THERMOPLASTIC, BLACK, UL94V-0
CONTACT: COPPER ALLOY
2. CONTACT PLATING:
SEPARABLE INTERFACE: PERFORMANCE-BASED PLATING, QUALIFIED TO MEET THE REQUIREMENTS OF FCI PRODUCT SPECIFICATION GS-12-XXX INCLUDING TELCORDIA GR-1217-CORE (NOVEMBER 1995) CENTRAL OFFICE TEST SEQUENCE
PRESS-FIT TAILS: SEE TABLE
3. PRODUCT SPECIFICATION: GS-12-239.
4. APPLICATION SPECIFICATION: GS-20-035.
5. PRODUCT MARKING, (PROTOTYPE, PART NUMBER & LOT CODE), ON THIS SURFACE.
6. THE MINIMUM CENTERLINE SPACING BETWEEN ADJACENT MODULES IS 32.0 mm.
7. CONNECTOR OUTLINE WITH HOUSING POS A1 INDICATOR MAY BE SCREEN PRINTED ONTO CUSTOMER PCB TO BE USED AS A GUIDE FOR MANUAL CONNECTOR PLACEMENT.
8. REFER TO CUSTOMER DRAWING 10104444 FOR INFORMATION ON PCB HOLE DIAMETERS AND PLATING OPTIONS.
9. THIS PRODUCT MEETS EUROPEAN UNION DIRECTIVES AND OTHER COUNTRY REGULATIONS AS DESCRIBED IN GS-22-008.
10. THE OUTER VIAS IN COLUMN M ARE OPTIONAL. IF ADDED THESE HOLES PROVIDE GROUND SYMMETRY THROUGH THE PCB. NO CONNECTOR PINS WILL BE PRESSED INTO THESE HOLES.
11. PACKAGING MEETS GS-14-920 LEAD FREE LABELING SPECIFICATION.
12. FOR REMOVAL OF THE PROTECTIVE CAP BY HAND GRIP USING THESE SURFACES.
13. FOR REMOVAL OF THE PROTECTIVE CAP WITH PLIERS GRIP USING THIS FEATURE.
14. GROUND VIAS IN POSITIONS C, F, I & M FOR ODD COLUMNS AND POSITIONS D, G, J & N FOR EVEN COLUMNS REQUIRE (Ø0.50) FINISHED HOLES. ALL OTHER VIAS REQUIRE (Ø0.40) FINISHED HOLES.
15. A \triangle SYMBOL WILL BE NEXT TO ANY DIMENSION, VIEW OR NOTE WHICH HAS BEEN MODIFIED WITH THE CURRENT DRAWING REVISION



10118260-101 LF



spec ref	-	dr	Mark Gray	2011/05/23	projection	MM	size	A2	scale	5:1		
tolerance std	ASME Y14.5	eng	Kou Xu	2014/06/05			ecn no	ELX-DG-17847-1				
TOLERANCES UNLESS OTHERWISE SPECIFIED		chr	Zhi-Guo Qiao	2014/06/23			rel level	Released				
surface	✓	appr	Collins Lu	2014/06/23			product family	AIRMAX VS				
ASME Y14.5	linear	0.X	±0.3		AIRMUX VSE VERTICAL HEADER SMALL PRESS-FIT, 192 POS, 32 mm	cat. no. -	Product - Customer Drw	dwg no	10118260		rev	C
	angular	0°	±2°					sheet 4 of 4				