



PRODUCT DATASHEET

Lenina series

last update 31/10/2016

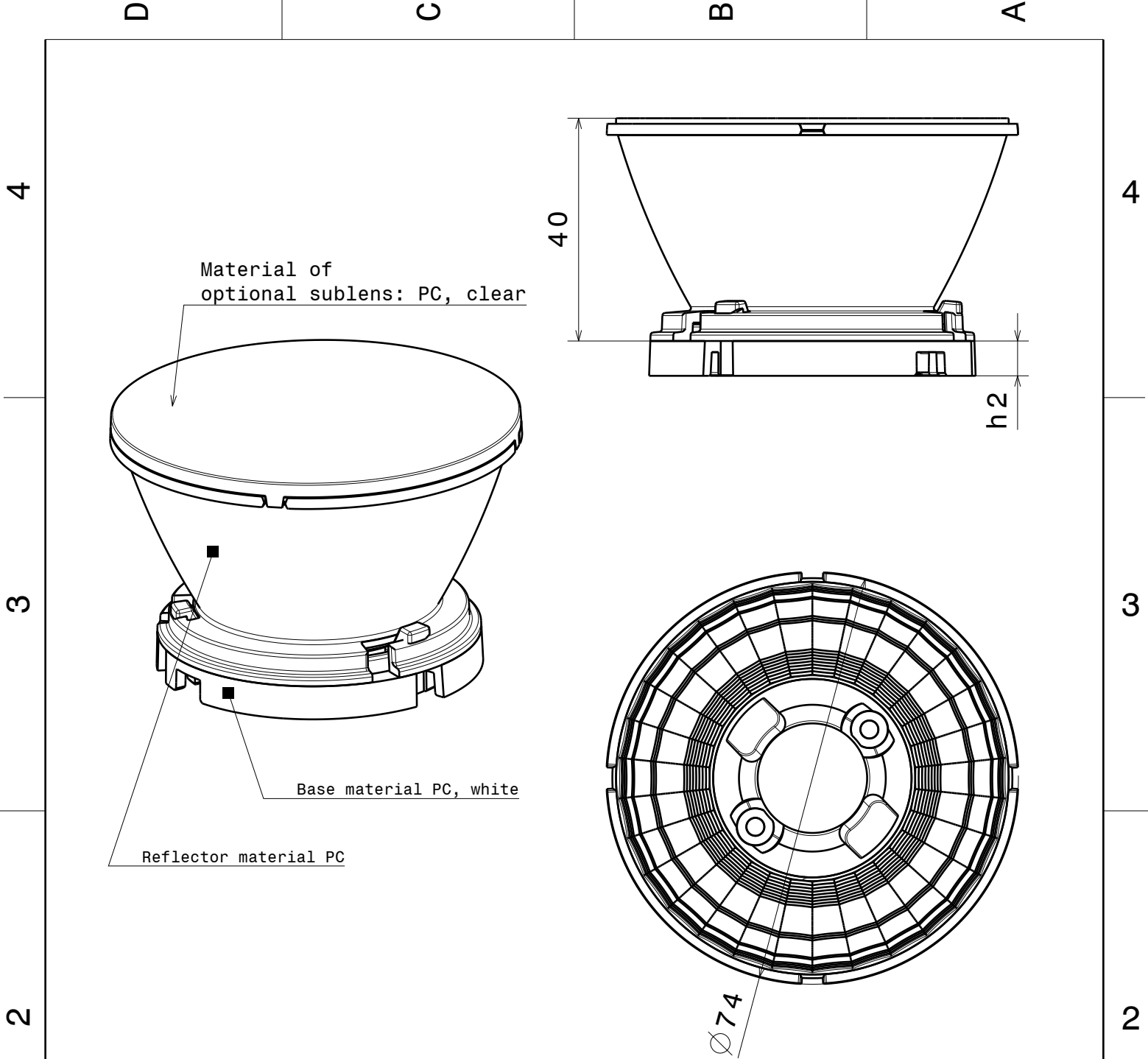
DETAILS

Product Number	CN12605_LENINA-W-DL
Family	Lenina
Type	RefPack
Color	metal
Diameter	74 mm
Height	48,35 mm
Style	round
Optic Material	PC
Holder Material	
Fastening	
Status	production ready
ROHS Compliant	Yes
Date Updated	31/10/2016

OPTICAL PROPERTIES

LED	Viewing Angle	Light Beam	Efficiency	cd/lm	Connector
BXRA ES Rectangle	60 deg	Wide	86 %	0.920	LEDiL: LEDiL





NOTE:

Using optional sublens, add 2.1mm to the system height

Dimension 'h2' varies from 4.5mm to 7mm depending on the LED specific base part

This drawing is our property. It can't be reproduced or communicated without our written agreement.



Ledil Oy
Salorankatu 10
FIN-24240 SALO
Finland

DRAWING TITLE

Datasheet Lenina series

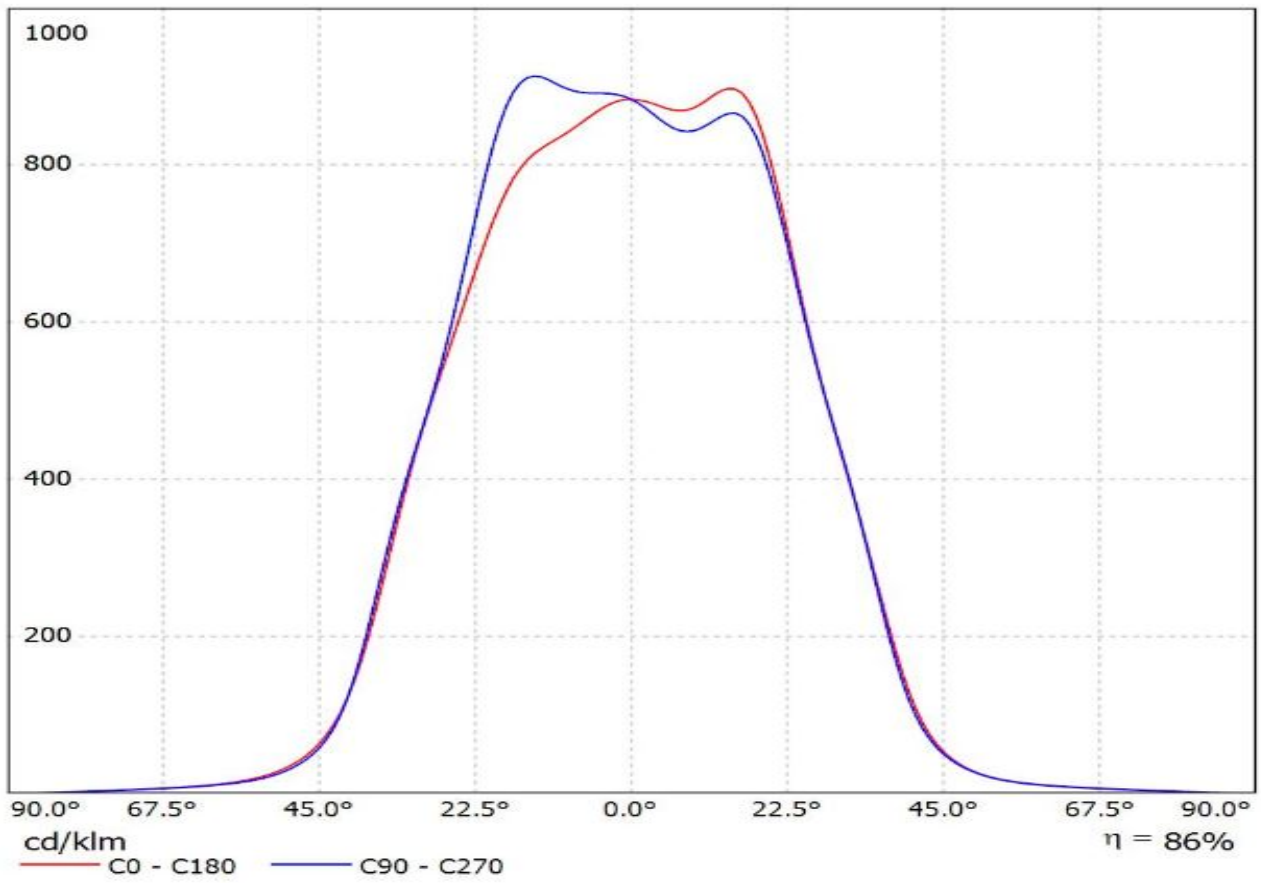
DRAWN BY ks		DATE 23.04.2014		SIZE A4				DRAWING NUMBER --		REV 1	
CHECKED BY		DATE		SCALE 1:1		WEIGHT (g)		SHEET 1/1			
DESIGNED BY pl		DATE 08.03.2012									

D

A

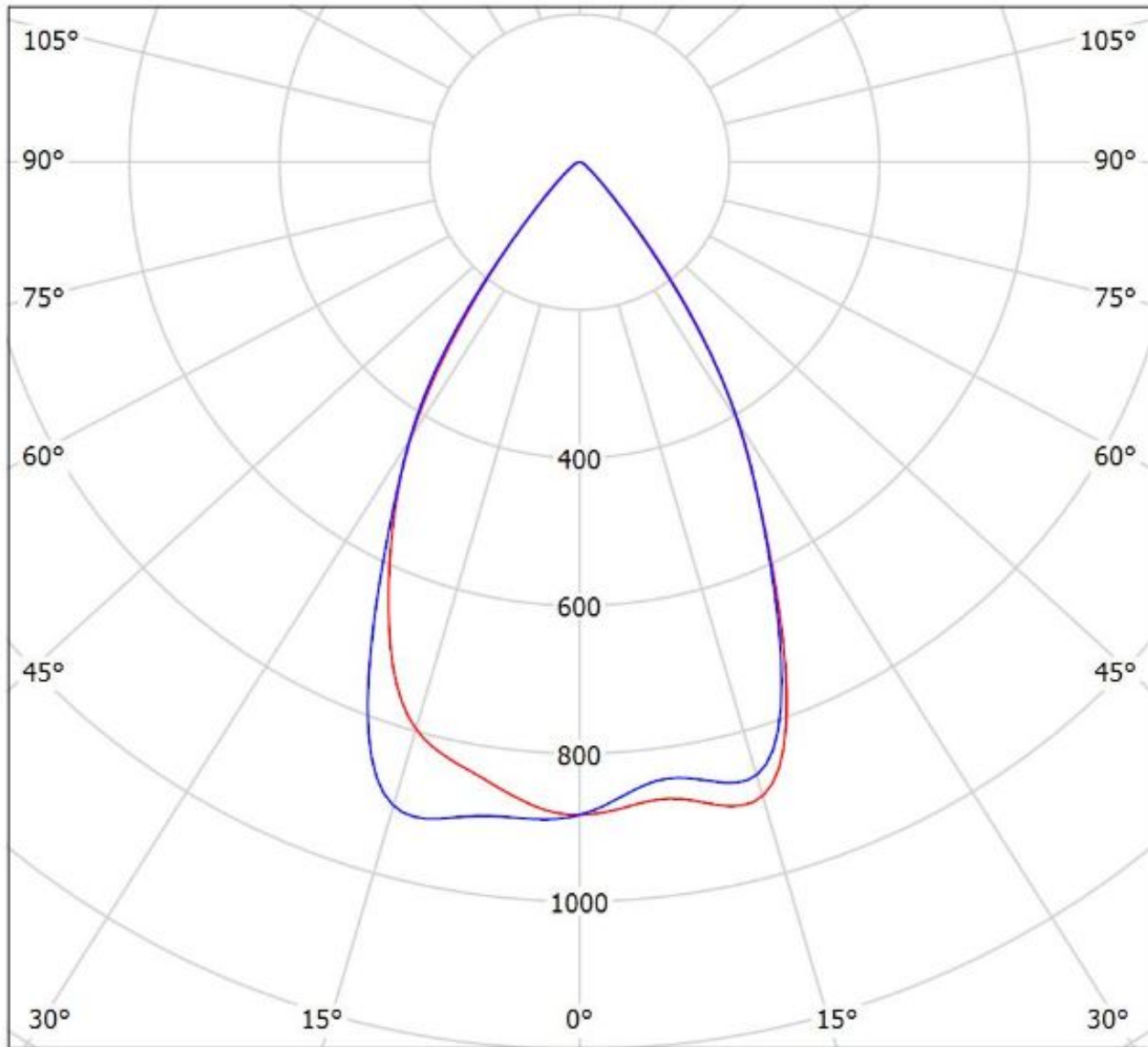
Luminaire: Ledil CN12605_LENINA-W-DL_(Bridgelux_BXRA_ES_Rectangle)

Lamps: 1 x Bridgelux_BXRA_ES_Rectangle_(BXRAES-W0802)_186.209lm@250mA_P=2.6918W_I=0.25A



Luminaire: Ledil CN12605_LENINA-W-DL_(Bridgelux_BXRA_ES_Rectangle)

Lamps: 1 x Bridgelux_BXRA_ES_Rectangle_(BXRAES-W0802)_186.209lm@250mA_P=2.6918W_I=0.25A



cd/klm

$\eta = 86\%$

— C0 - C180 — C90 - C270

NOTE: The typical divergence will be changed by different color, chip size and chip position tolerance. The typical total divergence is the full angle measured where the luminous intensity is half of the peak value.