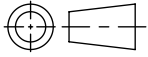
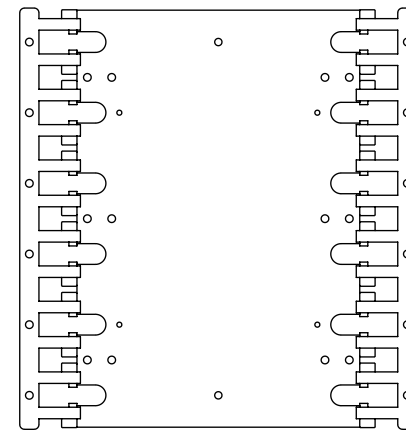
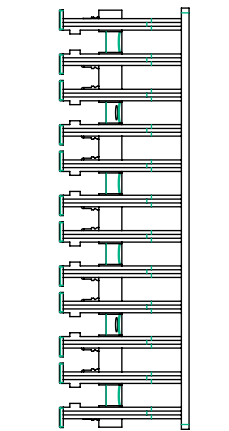
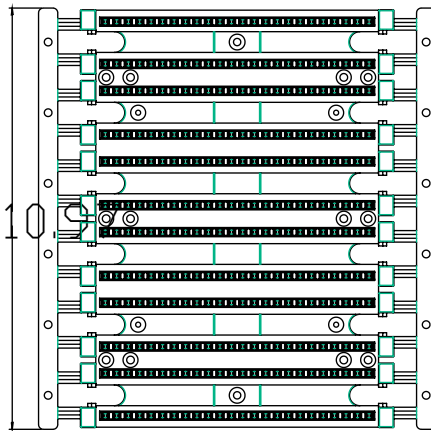
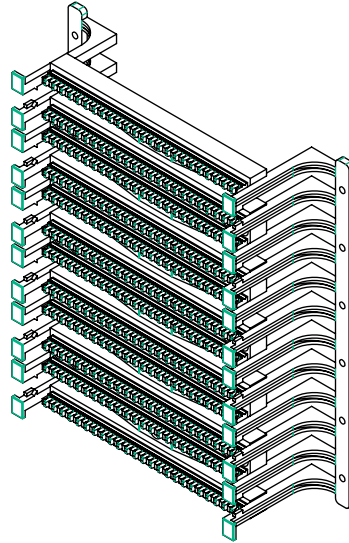
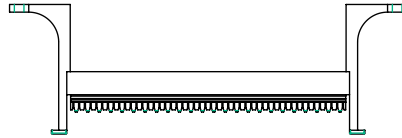


SW2014



Revision level			Revision Record	Changed	Date	Approved	Date
Drawing	State	Part					
00.0	Design Release		SEE ECN# 013472	GRW	6/17/2016	KAC	6/17/2016



262.64
[10.34]

85.85
[3.38]

Material
POLYCARBONATE

Units: **millimeters**
Dimension without tolerances details to:
.XXX = ±.013
.XX = ±.13
.X = ±.3
None = ±.8
∠ = ±0.5°
Dimension Formatted mm/[in]

The copyright of this drawing is reserved by HellermannTyton. It is issued on condition that it is not reproduced, copied, or disclosed to a third party, either wholly or in part, without the consent of HellermannTyton.

Drawn GRW 6/16/2016
Approved KAC 6/16/2016
HellermannTyton
North America
Email: corp@htamericas.com
Web: www.hellermann.tyton.com

Article/Type-No 853-19232 / T110WBL288
Title **CAT6 288 PAIR WIRING BLOCK WITH LEGS**
Drawing-No PRODUCTION : Phase
16-1245-001-CSU

Scale 1:1
Project Number PRP 16-1245
Format AH
Sheet 1/1