

MATERIALS AND FINISHES

BODY, REAR BODY, JAM NUT, LOCKWASHER BRASS
PLATED NICKEL

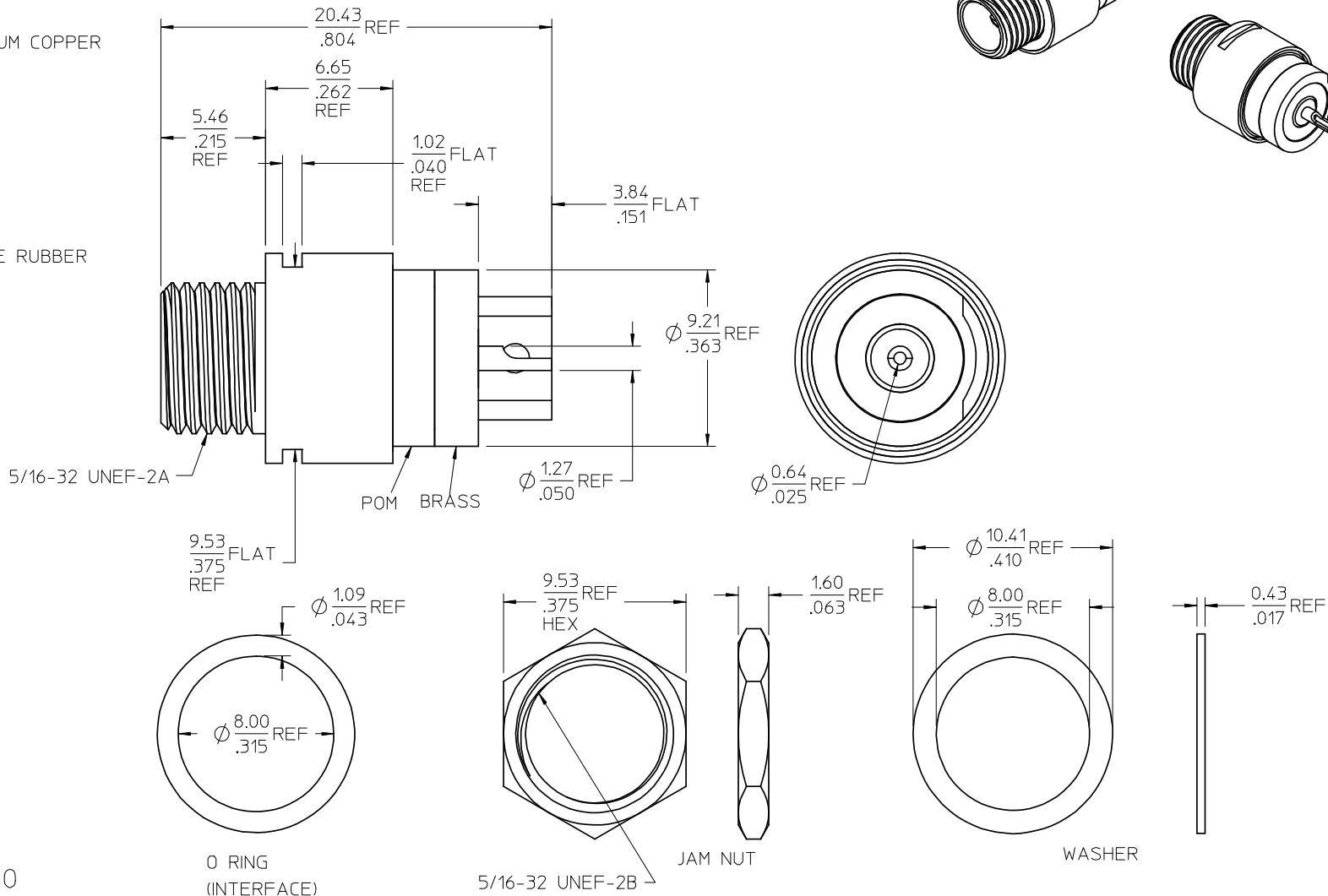
CENTER CONTACT BERYLLIUM COPPER
OR PHOSPHOR BRONZE
PLATED SILVER

INSULATOR TEFLON

ISOLATION BODY POM

O RING (INTERNAL) SILICONE RUBBER

O RING (INTERFACE) VITON



PART # 73415-6580

O RING
(INTERFACE)

5/16-32 UNEF-2B

JAM NUT

WASHER

CHG: REMOVED SLEEVE ADDED O-RING DIA EC NO: URF2009-0039 2008/07/24 DRWN: WIENER 2008/07/24 CHKD: JL APPR: WIENER 2008/07/24	QUALITY SYMBOLS ▽=0 ▽=0	GENERAL TOLERANCES (UNLESS SPECIFIED) <table border="1"> <thead> <tr> <th></th> <th>mm</th> <th>INCH</th> </tr> </thead> <tbody> <tr> <td>4 PLACES</td> <td>± .005</td> <td>± .0005</td> </tr> <tr> <td>3 PLACES</td> <td>± .005</td> <td>± .0005</td> </tr> <tr> <td>2 PLACES</td> <td>± .005</td> <td>± .0005</td> </tr> <tr> <td>1 PLACE</td> <td>± .005</td> <td>± .0005</td> </tr> </tbody> </table> ANGULAR ± 2 °		mm	INCH	4 PLACES	± .005	± .0005	3 PLACES	± .005	± .0005	2 PLACES	± .005	± .0005	1 PLACE	± .005	± .0005	DIMENSION STYLE MM/IN	SCALE DESIGN UNITS METRIC	THIRD ANGLE PROJECTION
		mm	INCH																	
	4 PLACES	± .005	± .0005																	
	3 PLACES	± .005	± .0005																	
2 PLACES	± .005	± .0005																		
1 PLACE	± .005	± .0005																		
DRAWN BY TEF 2007/09/18	DATE 2007/09/18	CHECKED BY SSS 2007/09/18	DATE 2007/09/18	TITLE POWER CONNECTOR EWR-3434 M-M																
APPROVED BY JDW 2007/09/18	DATE 2007/09/18	MATERIAL NO. 734156580		DOCUMENT NO. SD-73415-658																
DRAFT WHERE APPLICABLE MUST REMAIN WITHIN DIMENSIONS	SIZE C	THIS DRAWING CONTAINS INFORMATION THAT IS PROPRIETARY TO MOLEX INCORPORATED AND SHOULD NOT BE USED WITHOUT WRITTEN PERMISSION																		

SHEET NO.
1 OF 1