

PART NUMBER	REV	FIRST USED	TERMINATOR	FEED TYPE	DESCRIPTION
1426002-1	D	-	LEADMAKER	MECH POST FEED	CUTS CARRIER
1426002-2	D	-	BENCH	MECH PRE FEED	CUTS CARRIER
1426002-6	D	-	LEADMAKER	MECH POST FEED	CONTINUOUS CARRIER
7-1426002-1	D	-	LEADMAKER	MECH POST FEED	-1 AND SPARE PARTS
7-1426002-2	D	-	BENCH	MECH PRE FEED	-2 AND SPARE PARTS
7-1426002-6	D	-	LEADMAKER	MECH POST FEED	-6 AND SPARE PARTS
7-1426002-7	A	-	-	-	SPARE PARTS KIT

CRIMP DATA (AMP TERMINAL)

TERMINAL NAME: JUNIOR POWER TIMER RECEPT WITH BARRIER

CRIMP	SIZE	TYPE	RANGE
WIRE	1.78 [.070 IN]	F	0.35mm ² - 1.0mm ²
INSUL	2.79 [.110 IN]	F	2.15 max [.085 IN MAX]
WIRE STRIP LENGTH		APPL INSTRUCTION	
4.5-5.5 [.177-.217 IN]		408-8322	

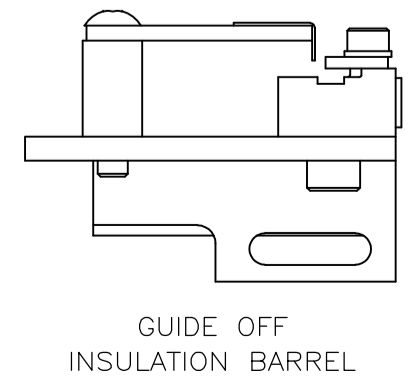
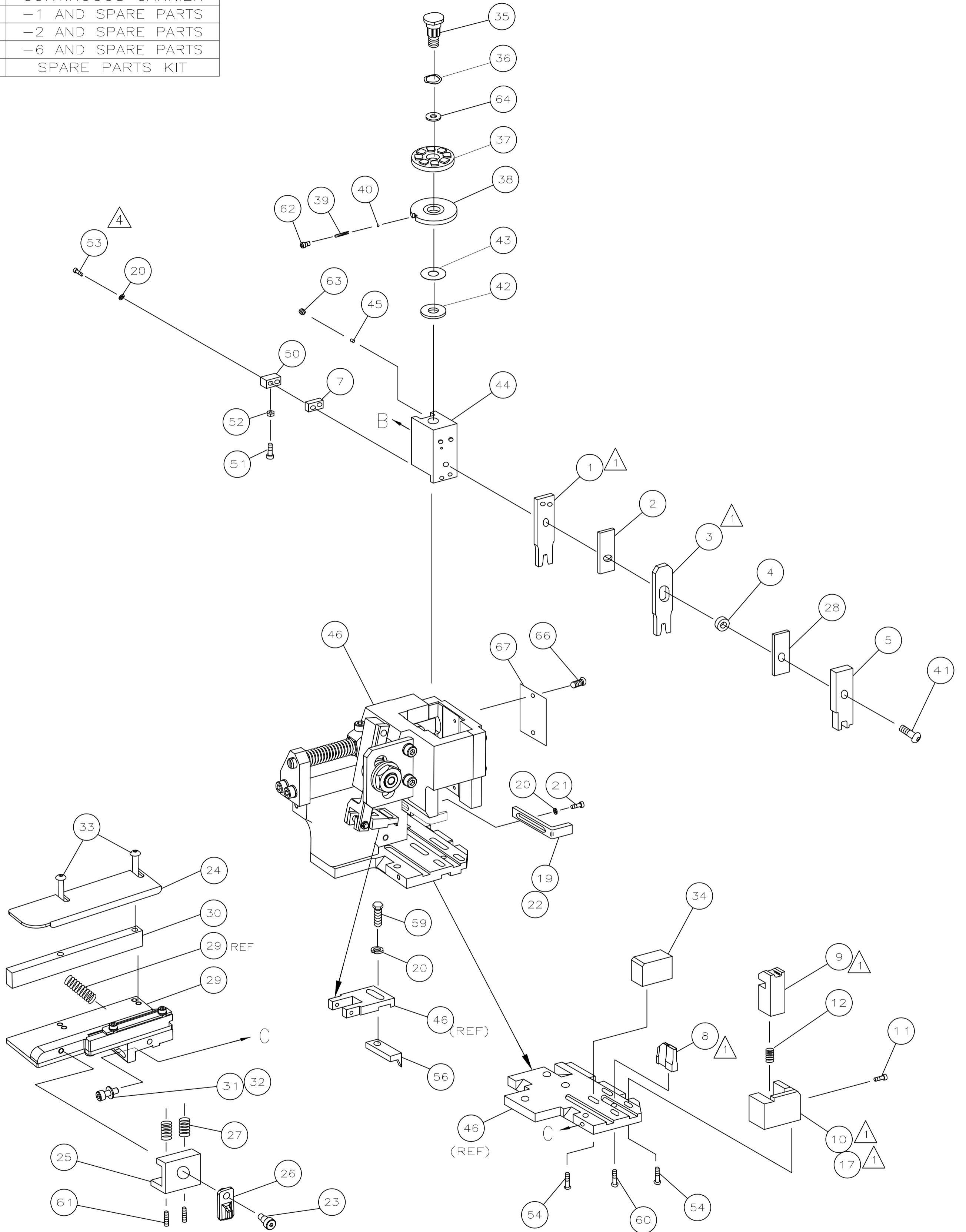
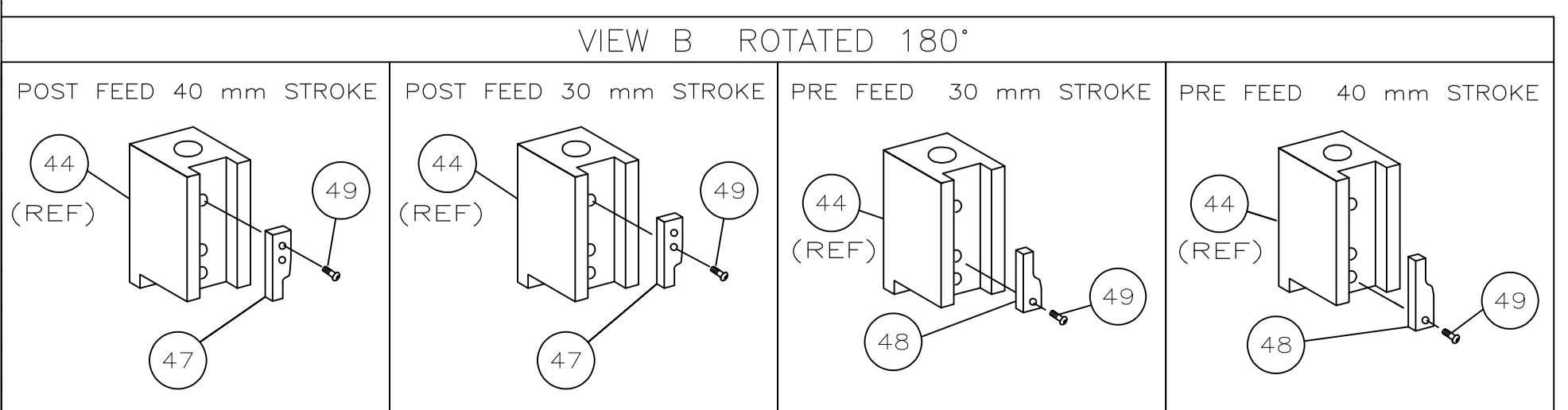
TERMINALS APPLIED

144431	-	-	-	-
-	-	-	-	-
-	-	-	-	-
-	-	-	-	-
-	-	-	-	-
-	-	-	-	-
-	-	-	-	-
-	-	-	-	-
-	-	-	-	-
-	-	-	-	-
-	-	-	-	-
-	-	-	-	-

WIRE SIZE mm ² awg	CRIMP HEIGHT	PIN PN & LENGTH [IN]
1.00mm ²	1.51 ±0.05 [.059 ±.002 IN]	354779-6 [.3020]
0.75mm ²	1.40 ±0.05 [.055 ±.002 IN]	1-354779-4 [.3060]
0.60mm ²	1.32 ±0.05 [.052 ±.002 IN]	2-354779-0 [.3090]
0.50mm ²	1.27 ±0.05 [.050 ±.002 IN]	2-354779-6 [.3120]
0.35mm ²	1.21 ±0.05 [.048 ±.002 IN]	3-354779-2 [.3150]
-	-	-
-	-	-
-	-	-
-	-	-
-	-	-
-	-	-
-	-	-
-	-	-
-	-	-
-	-	-
-	-	-
-	-	-
-	-	-

SET UP GAGE 458637-3	LAYOUT L1426002
-------------------------	--------------------

- ▲ RECOMMENDED SPARE PARTS.
- 2. GREASE RAM, CAM, CAM FOLLOWER AND FEED ROD LIGHTLY.
- 3. LUBRICATE DAILY PER THE APPLICATOR INSTRUCTION SHEET SUPPLIED WITH THE APPLICATOR.
- ▲ CUT TO LENGTH ON ASSY.



QTY REQD PER ASSY	PART NO	DESCRIPTION	ITEM NO
-	-	-	73
-	1426002	PRINT, APPLICATOR LOG SHEET	72
-	1338705-1	DOCUMENTATION PACKAGE	71
-	-	-	70
-	-	-	69
-	-	-	68
-	461264-1	PLATE, IDENTIFICATION	67
-	21017-2	SCR,DRIVE(#2x.19)ID PLATE	66
-	-	-	65
-	986950-1	WASHER, FLAT PRECISION	64
-	3-18031-0	SCR,SKT_SET(M6X6 LW)RAM	63
-	18023-9	SCR,SHC(M4X6)INS DISC	62
-	2-18032-5	SCR,SET(M5X20)DRAG	61
-	18024-7	SCR,BHC(M4X10)ANVIL	60
-	5-18022-2	SCR,HEX(M4X8)FEED FINGER	59
-	-	-	58
-	-	-	57
-	1338685-1	PAWL, FEED	56
-	-	-	55
-	18024-8	SCR,BHC(M4X12)SHEAR HOLDER	54
-	1-18023-3	SCR,SHC(M4X16)TERM H DWN	53
-	18030-1	NUT,HEX(M3)HOLD DOWN	52
-	811242-5	BUMPER, HOLDDOWN	51
-	690753-2	SPACER, TONKER	50
-	18024-3	SCR,BHC(M3X10)CAM	49
-	1338675-1	CAM, PRE FEED 30 & 40 mm ST	48
-	1338676-1	CAM, POST FEED 30 & 40 mm ST	47
-	1320999-3	APPLICATOR BASIC SUBASSY	46
-	690191-1	PLUG, NYLON	45
-	1338660-1	RAM	44
-	690125-1	WASHER, LAMINATED	43
-	690124-1	WASHER, RAM	42
-	2-18024-6	SCR,BHC(M8X25)RAM	41
-	23241-1	BALL, STEEL	40
-	2-22278-7	SPRING, COMPRESSION	39
-	1320922-1	DISC, INSULATION	38
-	354777-1	WIRE DISC, PLASTIC	37
-	22480-5	WASHER, SPRING	36
-	690212-1	POST, RAM	35
-	1320934-6	SUPPORT, TERMINAL	34
-	1-18024-0	SCR,BHC(M4X20)STRIP GUIDE	33
-	18027-2	WASHER, FLAT(M4)	32
-	1-18023-2	SCR,SKT_CAP(M4X12)MOUNT BLOCK	31
-	1320908-8	SPACER, STRIP GUIDE	30
-	1633073-1	STRIP GUIDE PLATE ASSY	29
-	1-455888-0	SPACER, FRONT SHEAR DEP	28
-	1-22284-0	SPRING, DRAG	27
-	356835-1	LEVER, DRAG RELEASE	26
-	240792-1	DRAG, TERMINAL	25
-	1320928-1	GUIDE, STRIP (REAR)	24
-	980371-4	SCR,SHC SHLD	23
-	690472-2	STRIPPER	22
-	1-18023-1	SCR,SHC(M4X10)STRIPPER	21
-	18025-2	WASHER,LOCK(M4)STRIPPER	20
-	690472-1	STRIPPER	19
-	-	-	18
-	1338684-1	HOLDER, SHEAR, FRONT (NO-CUT)	17
-	-	-	16
-	-	-	15
-	-	-	14
-	-	-	13
-	3-22280-3	SPRING, SHEAR	12
-	356885-4	STOP, SHEAR	11
-	1320921-1	HOLDER, SHEAR, FRONT (CUT)	10
-	462006-1	SHEAR, FLOAT (FRONT)	9
1	1333203-1	ANVIL	8
-	1-240641-6	SPACER, DEPRESSOR (REAR)	7
-	-	-	6
-	2-455889-0	DEPRESSOR, SHEAR (FRONT)	5
-	1-238011-7	SPACER, BLOCK CRIMPER	4
1	2-456134-9	CRIMPER, INSULATION	3
-	455888-1	SPACER, CRIMPER	2
1	3-456404-1	CRIMPER, WIRE	1

THIS DRAWING IS A CONTROLLED DOCUMENT. DIMENSIONS: INCHES. TOLERANCES UNLESS OTHERWISE SPECIFIED: 0 PLC ±.01, 1 PLC ±.01, 2 PLC ±.01, 3 PLC ±.01, 4 PLC ±.01. ANGLES ±.01.

APVD: F-BACKHURST. Tyco Electronics Corporation, Harrisburg, PA 17105-3608. SIDE FEED HD-1 APPLICATOR.

MATERIAL: FINISH. WEIGHT: A1 00779. DRAWING NO: 1426002. SCALE: SHEET 1 OF 1. REV D.