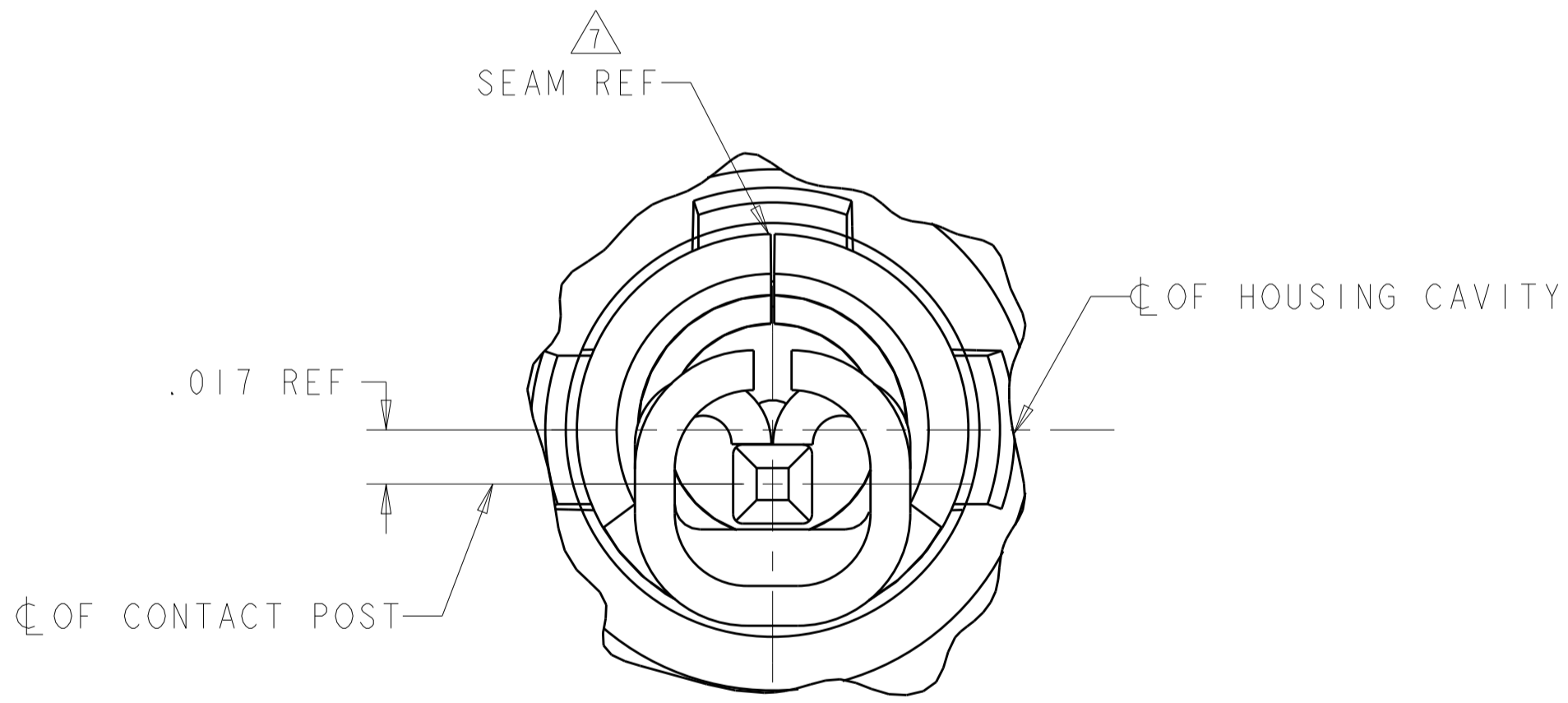
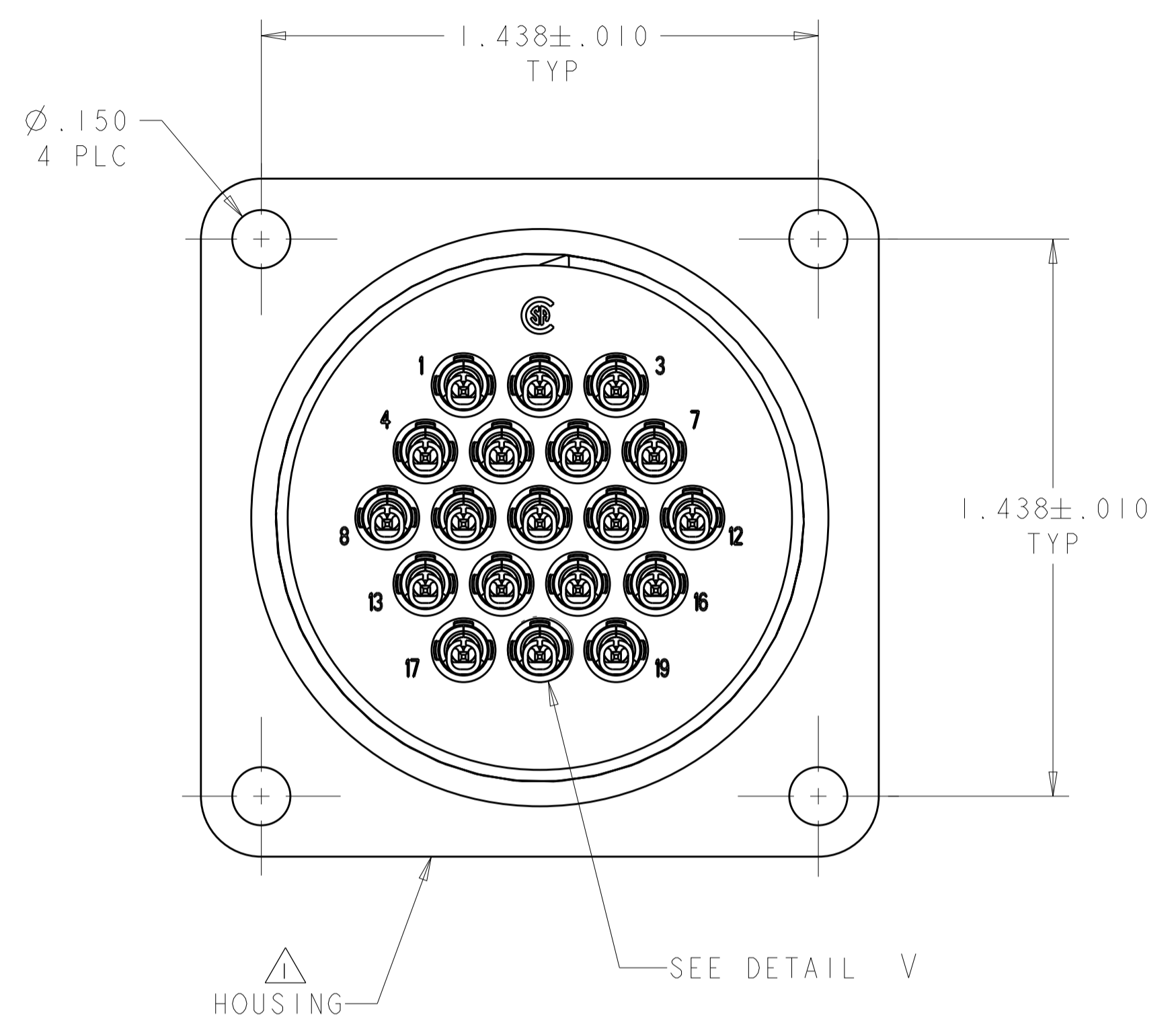
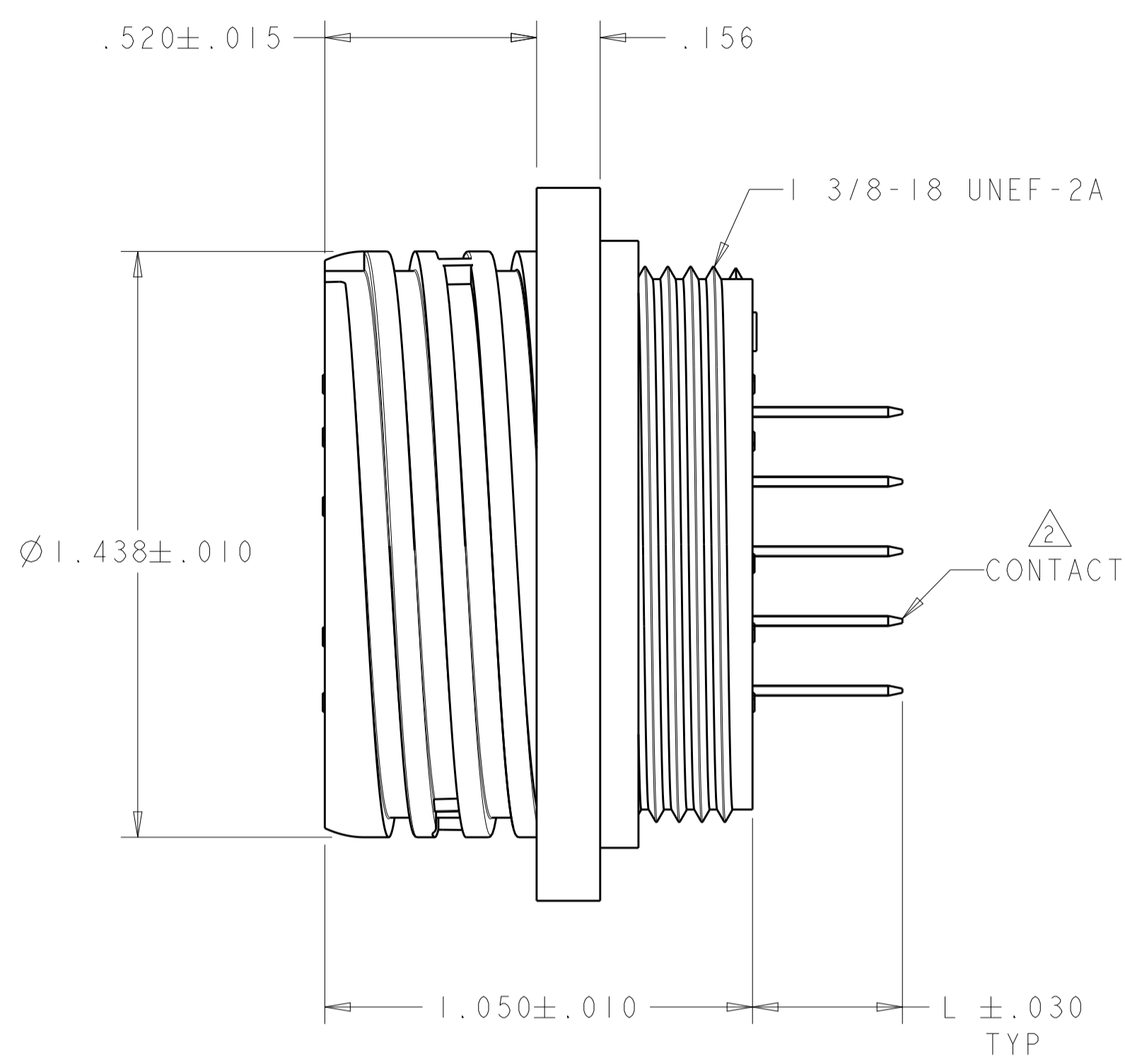
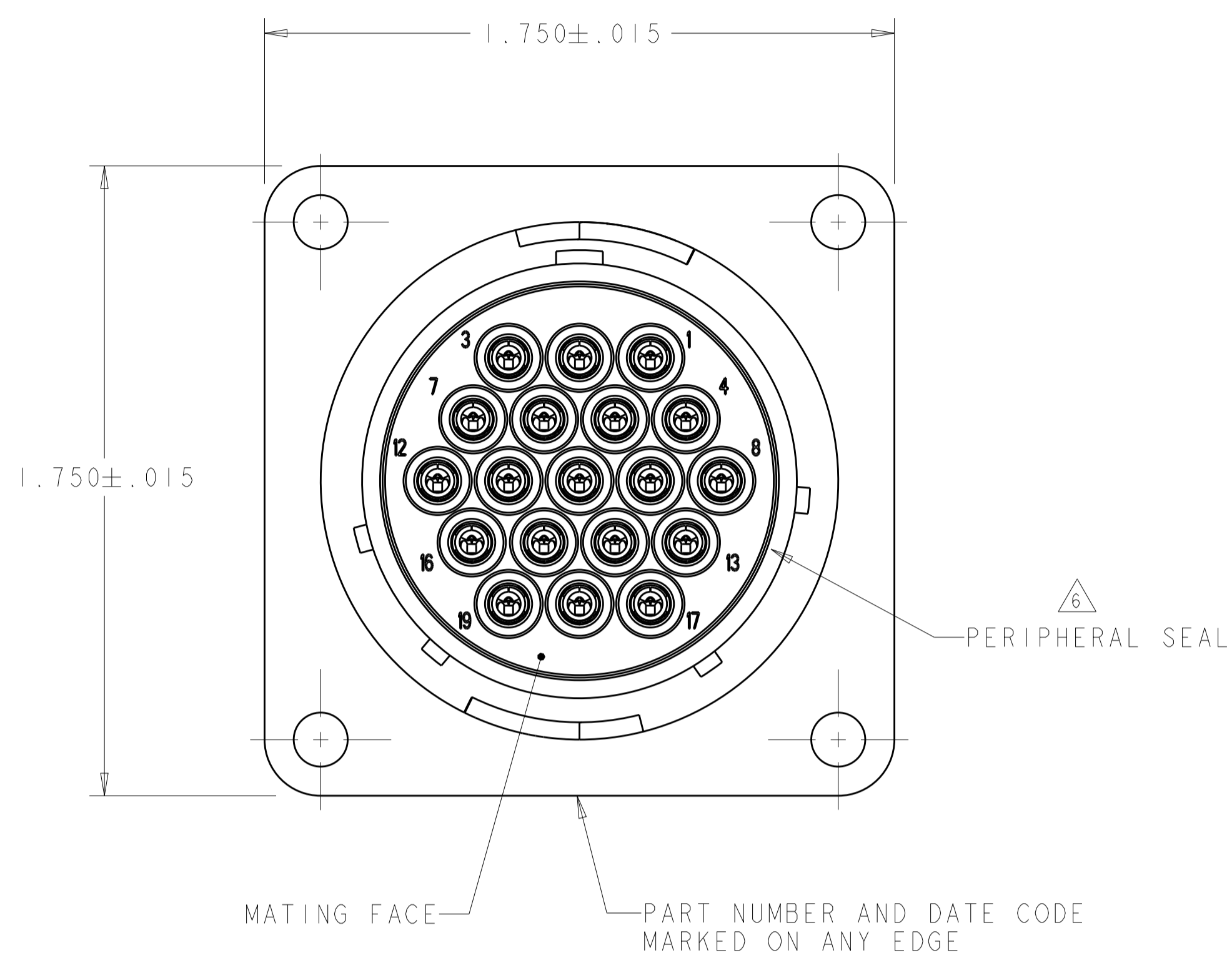


REVISIONS				
P.	LTN	DESCRIPTION	DATE	APVD
L2		REVISED PER ECO-16-004800	10SEP2016	NK MZ
M		REVISED PER ECO-16-018356	22MAR2017	RS MZ



DETAIL V
SCALE 20:1

- 1 HOUSING: NYLON, UL 94 V-0 RATED, COLOR: BLACK.
- 2 CONTACT:
BODY - BRASS, .000100 MIN TIN-LEAD OVER .000050 MIN NICKEL.
POST - BRASS, .000100 MIN TIN-LEAD OVER .000050 MIN NICKEL.
- 3 CONTACT:
BODY - BRASS, .000100 MIN TIN-LEAD OVER .000050 MIN NICKEL.
POST - BRASS, .000030 MIN GOLD OVER .000050 MIN NICKEL.
- 4 CONTACT:
BODY - BRASS, .000030 MIN GOLD OVER .000030 MIN NICKEL.
POST - BRASS, .000100 MIN TIN-LEAD OVER .000050 MIN NICKEL.
- 5 CONTACT:
BODY - BRASS, .000100 MIN TIN OVER .000050 MIN NICKEL.
POST - BRASS, .000100 MIN TIN OVER .000050 MIN NICKEL.
- 6 PERIPHERAL SEAL - ELASTOMER, COLOR: GRAY.
- 7 .009 MAXIMUM CONTACT LEAD-IN SEAM GAP PERMISSIBLE ON MATING FACE END.
- 8 OBSOLETE PARTS: OBSOLETE CIS STREAMLINING PER D.RENAUD/D.SINISI

	.368	5	YES	ALL	213827-8
OBSOLETE	.368	5	YES	1-8, 10-19	213827-7
OBSOLETE	.368	2	NO	ALL	213827-6
OBSOLETE	.119	4	NO	ALL	213827-5
OBSOLETE	.368	3	YES	ALL	213827-4
	.368	2	YES	1-8, 10-19	213827-2
OBSOLETE	.368	2	YES	ALL	213827-1
	L		CONTACT FINISH	PERIPHERAL SEAL	SELECT LOADED IN POSITIONS
					PART NUMBER

THIS DRAWING IS A CONTROLLED DOCUMENT. DWN S. WELDON ZIMAY2003
 CHK S. HEADER ZIMAY2003
 APVD S. HEADER ZIMAY2003

STE TE Connectivity

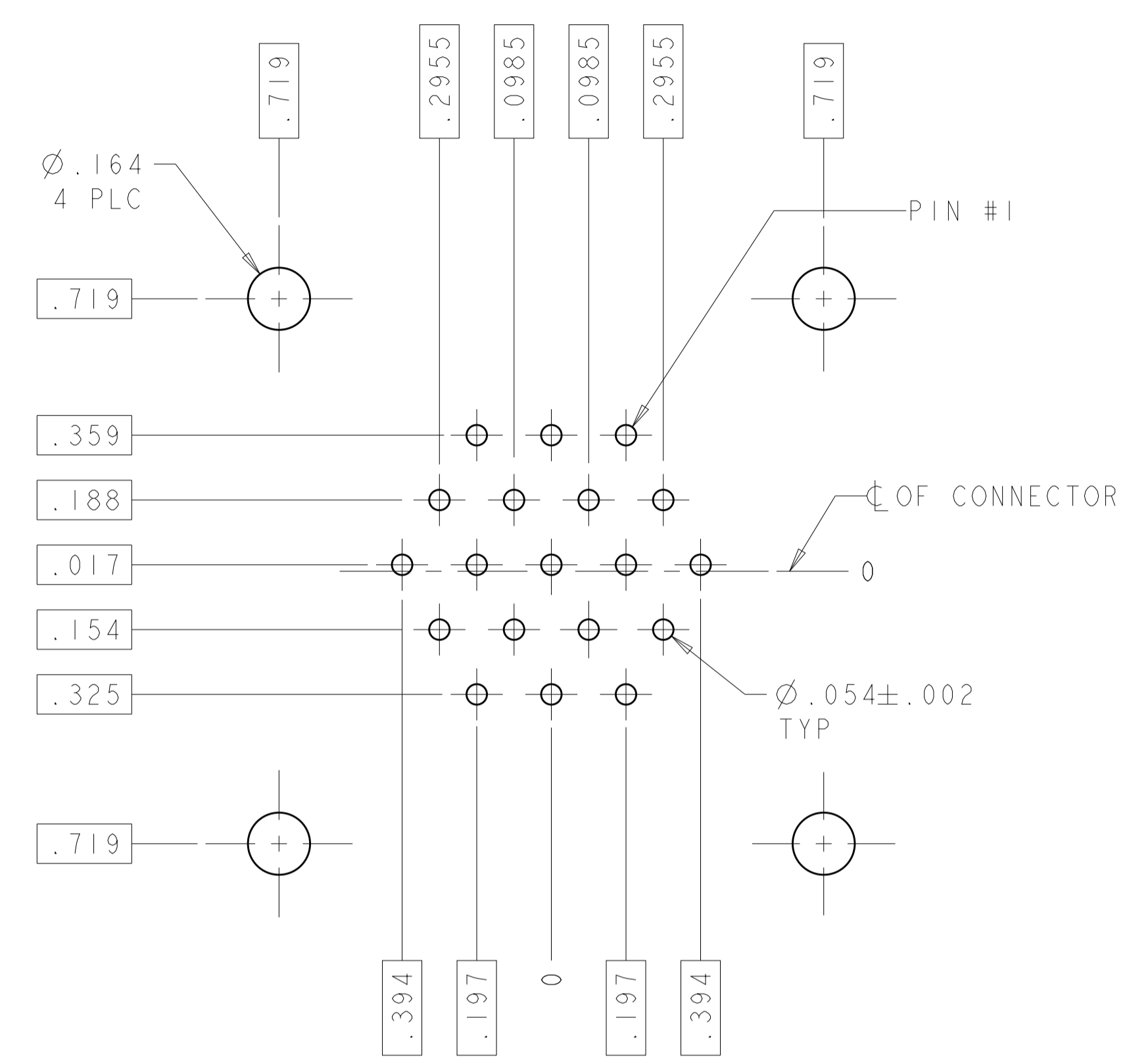
NAME RECEPTACLE ASSEMBLY, POSTED, REVERSE SEX, SERIES 1, 23-19, CPC

PRODUCT SPEC 108-10024
 APPLICATION SPEC 114-10038

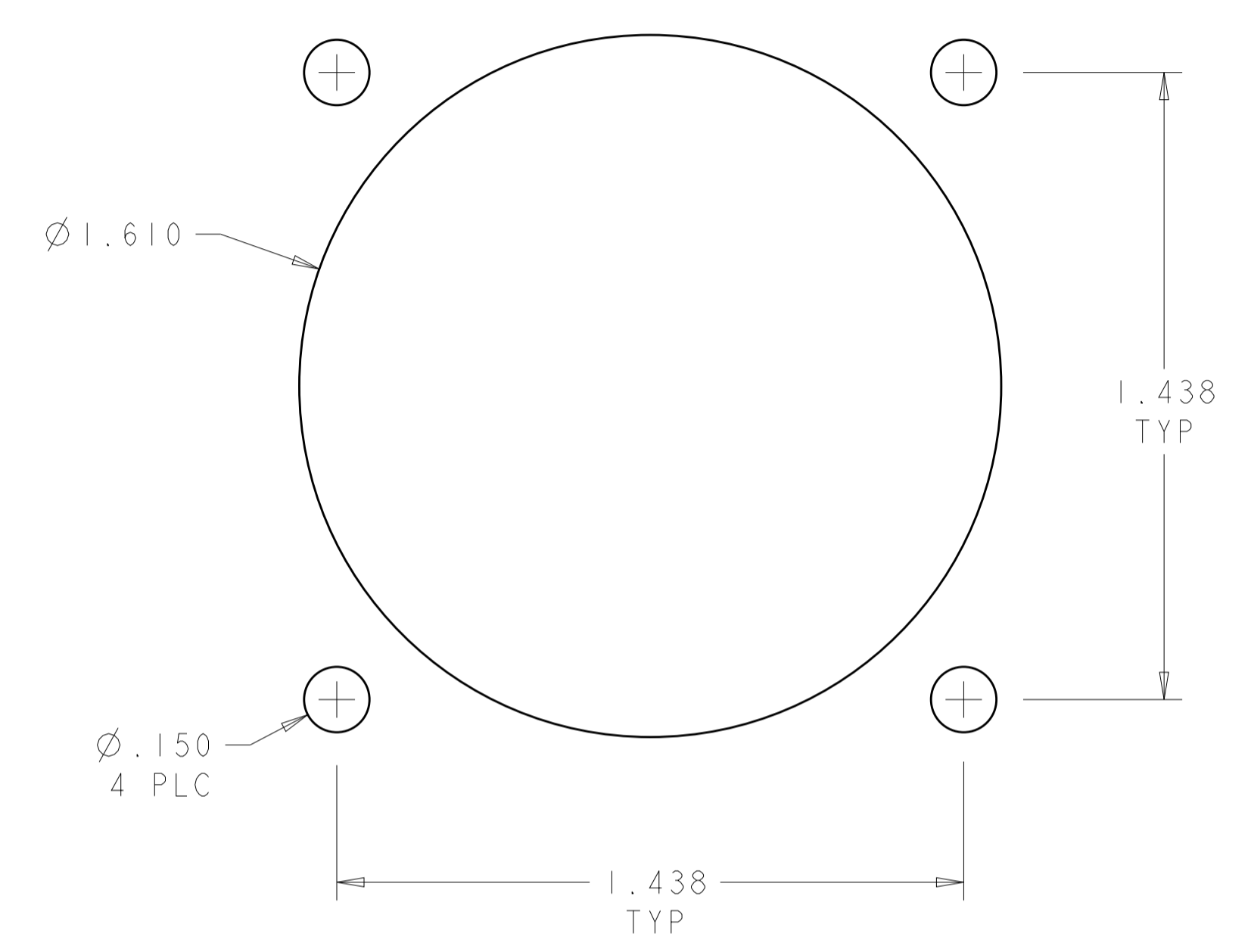
SIZE A1 CAGE CODE 00779 DRAWING NO. 213827
 WEIGHT CUSTOMER DRAWING

SCALE 3:1 SHEET 1 OF 2 REV M

REVISIONS				
P.	LTN	DESCRIPTION	DATE	APVD
-	-	SEE SHEET 1	-	-



RECOMMENDED PC BOARD LAYOUT



RECOMMENDED PC BOARD LAYOUT
 .125 MAX PANEL THICKNESS

THIS DRAWING IS A CONTROLLED DOCUMENT.		DWN S. WELDON ZIMAY2003	TE Connectivity
DIMENSIONS: INCHES		CHK S. HEADER ZIMAY2003	
TOLERANCES UNLESS OTHERWISE SPECIFIED: 0 PLC ±.0 1 PLC ±0.0 2 PLC ±0.00 3 PLC ±0.010 4 PLC ±0.0000 ANGLES ±.		APVD S. HEADER ZIMAY2003	NAME RECEPTACLE ASSEMBLY, POSTED, REVERSE SEX, SERIES 1, 23-19, CPC
MATERIAL		WEIGHT	SIZE CAGE CODE DRAWING NO. RESTRICTED TO
FINISH		CUSTOMER DRAWING	A100779C=213827
SCALE 3:1		SHEET 2 OF 2	REV M