

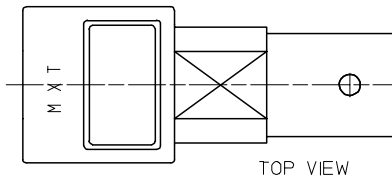
CONSTRUCTION:

BODY-----ZINC ALLOY
 CENTER CONTACT---PHOSPHOR BRONZE
 INSULATOR-----TEFLON
 SOLDER TAIL-----COPPER OVER STEEL
 BOARD LOCK-----PHOSPHOR BRONZE

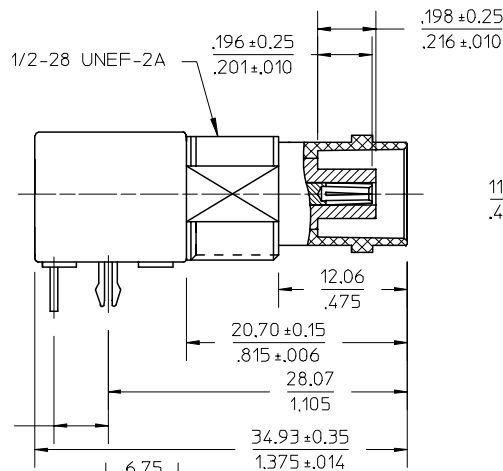
FINISH:
 BODY-----NICKEL PLATING (70 MICROINCHES)
 CENTER CONTACT---GOLD PLATING (10 MICROINCHES)
 SOLDER TAIL-----TIN PLATING (150 MICROINCHES)
 BOARD LOCK-----TIN PLATING (200 MICROINCHES)

MECHANICAL & ELECTRICAL CHARACTERISTICS:
 PER PRODUCT SPECIFICATION PS-73598-0051

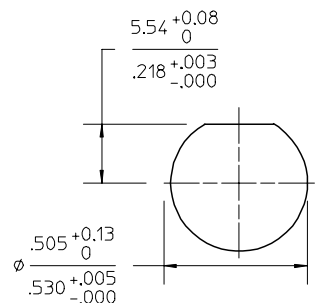
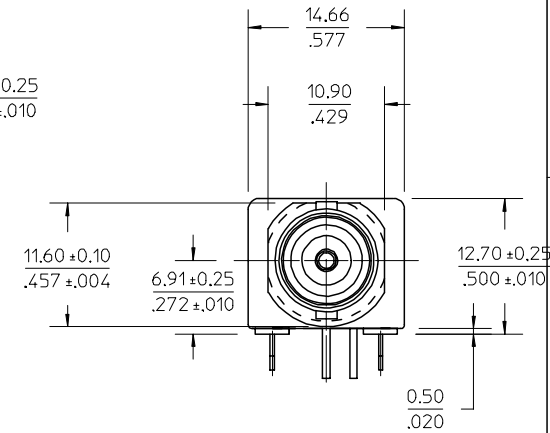
PACKAGING:
 TRAY



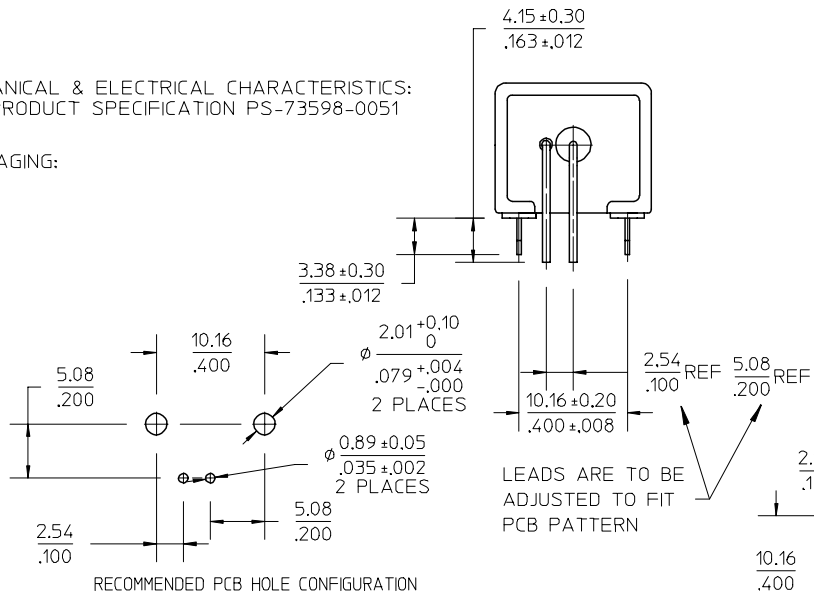
TOP VIEW



BOTTOM VIEW



RECOMMENDED MOUNTING HOLE
 RECOMMENDED MOUNTING TORQUE : 12.0 IN-LBS MAX.
 PANEL THICKNESS : .216(5.4 mm) MAX.



RECOMMENDED PCB HOLE CONFIGURATION

PART # 73171-2360

CHG: RELEASE. EC NO: URF2005-0060 DRWN:ROBERTS 2004/09/10 CHKD:SSHAH 2004/09/10 APPR: JWIENER 2004/09/10	REV	DESCRIPTION
	A	

QUALITY SYMBOLS	DESCRIPTION
▽=0	
▽C=0	

GENERAL TOLERANCES (UNLESS SPECIFIED)	mm	INCH
	4 PLACES ± ---	± ---
	3 PLACES ± ---	± ---
	2 PLACES ± ---	± ---
	1 PLACE ± ---	± ---
ANGULAR ± 2 °		
DRAFT WHERE APPLICABLE MUST REMAIN WITHIN DIMENSIONS		

DIMENSION STYLE MM/IN	
DRAWN BY	DATE
AZR	2004/04/30
CHECKED BY	DATE
SSS	2004/04/30
APPROVED BY	DATE
JDW	2004/04/30
MATERIAL NO.	
731712360	
SIZE	
A	

SCALE ---	DESIGN UNITS METRIC	THIRD ANGLE PROJECTION
TITLE		
BNC R/A PCB JACK 50 OHM DIE CAST, EWR-2439 BNC-J/PCB		
MOLEX INCORPORATED		
DOCUMENT NO.	SHEET NO.	
SD-73171-236	1 OF 1	