

4

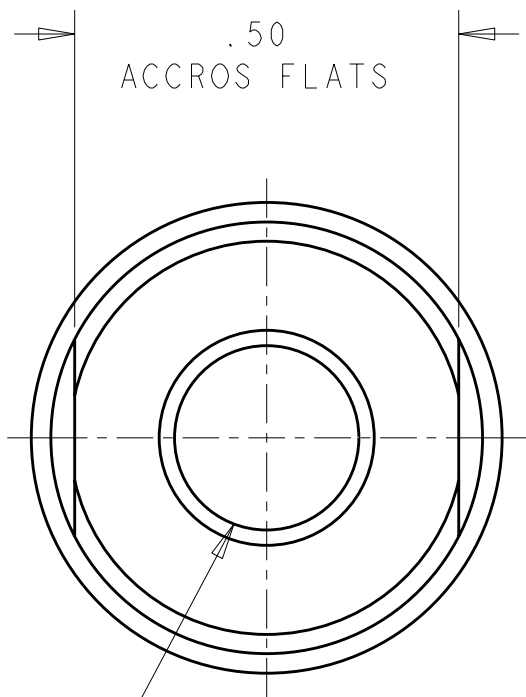
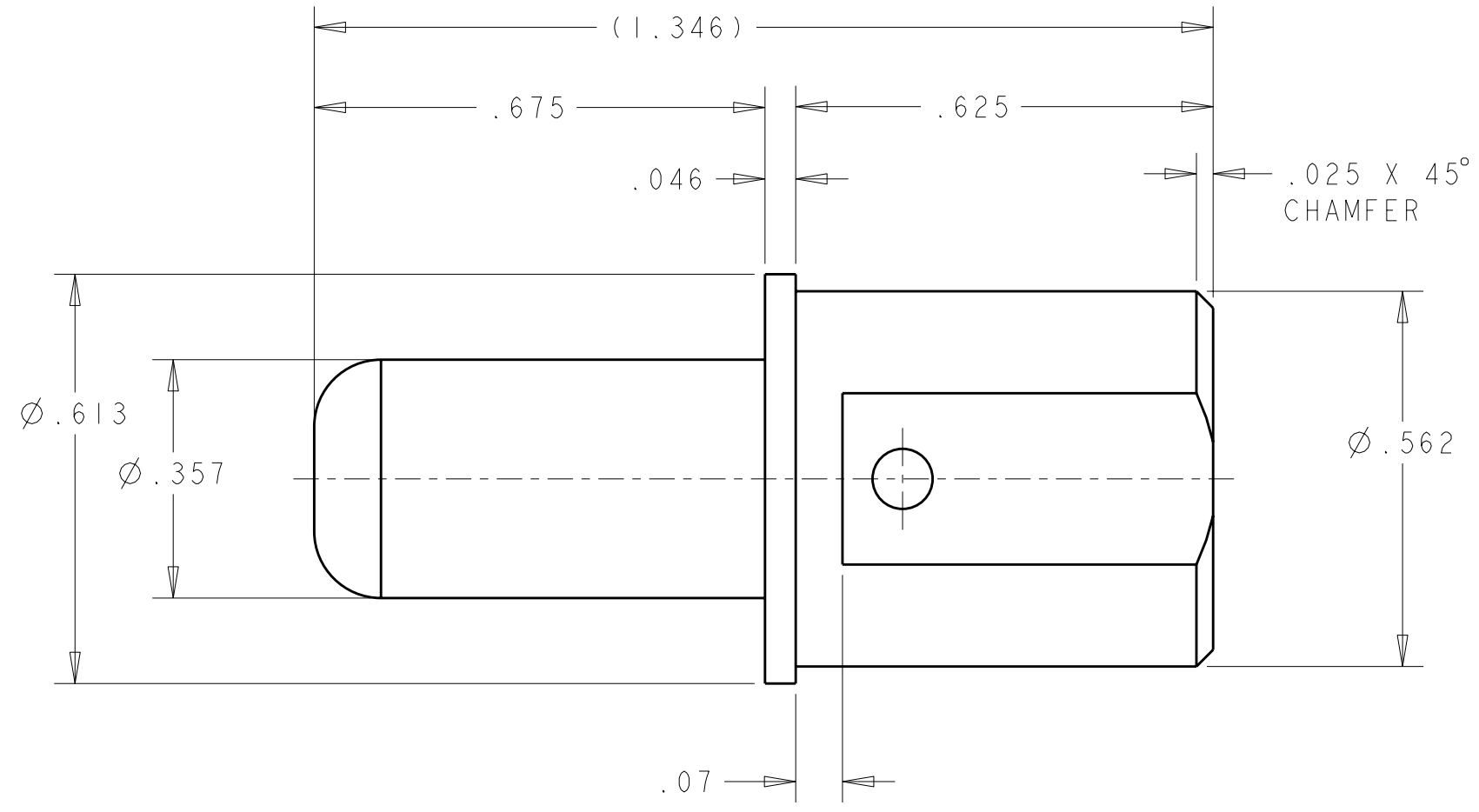
3

2

1

THIS DRAWING IS UNPUBLISHED. RELEASED FOR PUBLICATION 20
© COPYRIGHT 20 BY TYCO ELECTRONICS CORPORATION. ALL RIGHTS RESERVED.

LOC	DIST	REVISIONS			
P	LTR	DESCRIPTION	DATE	DWN	APVD
GP	00	B	REV PER ECO-08-010202	07MAY2008	RG DO



M6 X 1.6H
X .43 MIN. DEEP

- PART NUMBER CHANGES AND OR DESIGN CHANGES AFFECTING ITEM INTERCHANGEABILITY REQUIRE PRIOR TYCO ELECTRONICS APPROVAL AND AUTHORIZATION BY REVISION.
- ITEMS PROVIDED TO THIS SPECIFICATION SHALL BE IDENTIFIED ON THE CONTAINER WITH THE FOLLOWING INFORMATION:
PART NUMBER AND DATE CODE OF MANUFACTURING

3 MATERIAL: COPPER ALLOY

4 FINISH:
SILVER PLATED .000200 MIN THK. OVER
ELECTROLESS NICKEL .000050 MIN THK.

AS SHOWN	1766274-1
DESCRIPTION	PART NO.

<small>THIS DRAWING IS A CONTROLLED DOCUMENT FOR TYCO ELECTRONICS CORPORATION IT IS SUBJECT TO CHANGE AND THE CONTROLLING ENGINEERING ORGANIZATION SHOULD BE CONTACTED FOR THE LATEST REVISION.</small>		DWN RFA/GRZYBOWSKI 3/27/06 CHK D. ORRIS - APVD CHAU/FLICKINGER 3/27/06		Tyco Electronics Harrisburg, PA 17105-3608	
DIMENSIONS: INCHES		TOLERANCES UNLESS OTHERWISE SPECIFIED:		NAME CONTACT, PIN, SIZE No.0 M6 X 1 INTERNAL THREAD SINGLE CROWN, DRAWER	
		0 PLC ±- 1 PLC ±- 2 PLC ±.02 3 PLC ±.010 4 PLC ±- ANGLES ±5		PRODUCT SPEC - APPLICATION SPEC - WEIGHT -	
MATERIAL 3		FINISH 4		SIZE A3 00779 C-1766274 DRAWING NO 1766274 RESTRICTED TO -	
CUSTOMER DRAWING				SCALE 4:1 SHEET 1 OF 1 REV B	