

New!

OMRON

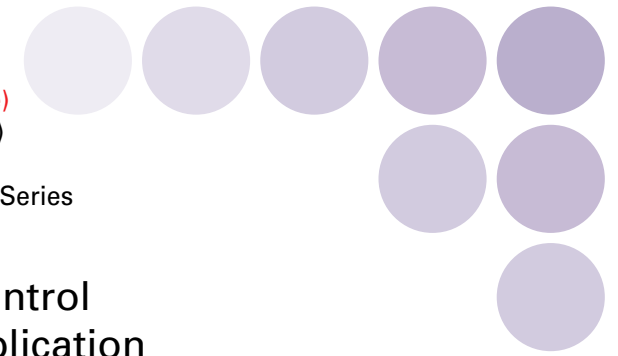
PLC-based Process Control

SYSMAC CS Series

Programmable Controllers

- CS1W-LC□□ Loop Control Boards/Units Ver. 3.0 (Version Upgrade)
- CS1D-CPU□□P CS1D Process CPU Units (for Duplex-CPU Systems)
- WS02-LCTC1-EV5 CX-Process Tool Ver. 5.0 (Version Upgrade)
- CS1W-P□□□□ Process Analog I/O Units 8-input Models Added to Series
- CS1W-□□□□□ Analog I/O Units 16-input Models Added to Series

Fully Integrated Sequence and Process Control for the Ideal Control System for Every Application



Printed on 100% Recycled Paper

PRINTED WITH SOY INK™



Note: Do not use this document to operate the Unit.

OMRON Corporation
 Control Devices Division H.Q.
 Shiokoji Horikawa, Shimogyo-ku,
 Kyoto, 600-8530 Japan
 Tel: (81)75-344-7109
 Fax: (81)75-344-7149

Regional Headquarters

OMRON EUROPE B.V.
 Wegalaan 67-69, NL-2132 JD Hoofddorp
 The Netherlands
 Tel: (31)2356-81-300/
 Fax: (31)2356-81-388

OMRON ELECTRONICS LLC
 1 East Commerce Drive, Schaumburg,
 IL 60173 U.S.A.
 Tel: (1)847-843-7900/Fax: (1)847-843-8568

OMRON ASIA PACIFIC PTE. LTD.
 83 Clemenceau Avenue,
 #11-01, UE Square,
 Singapore 239920
 Tel: (65)6835-3011/Fax: (65)6835-2711

OMRON (CHINA) CO., LTD.
 Room 2211, Bank of China Tower,
 200 Yin Cheng Zhong Road,
 PuDong New Area, Shanghai, 200120 China
 Tel: (86)21-5037-2222/Fax: (86)21-5037-2200

Authorized Distributor:



Note: Specifications subject to change without notice.

Cat. No. P051-E1-07
Printed in Japan
0106-2M

realizing

SMARTPROCESS CONTROL

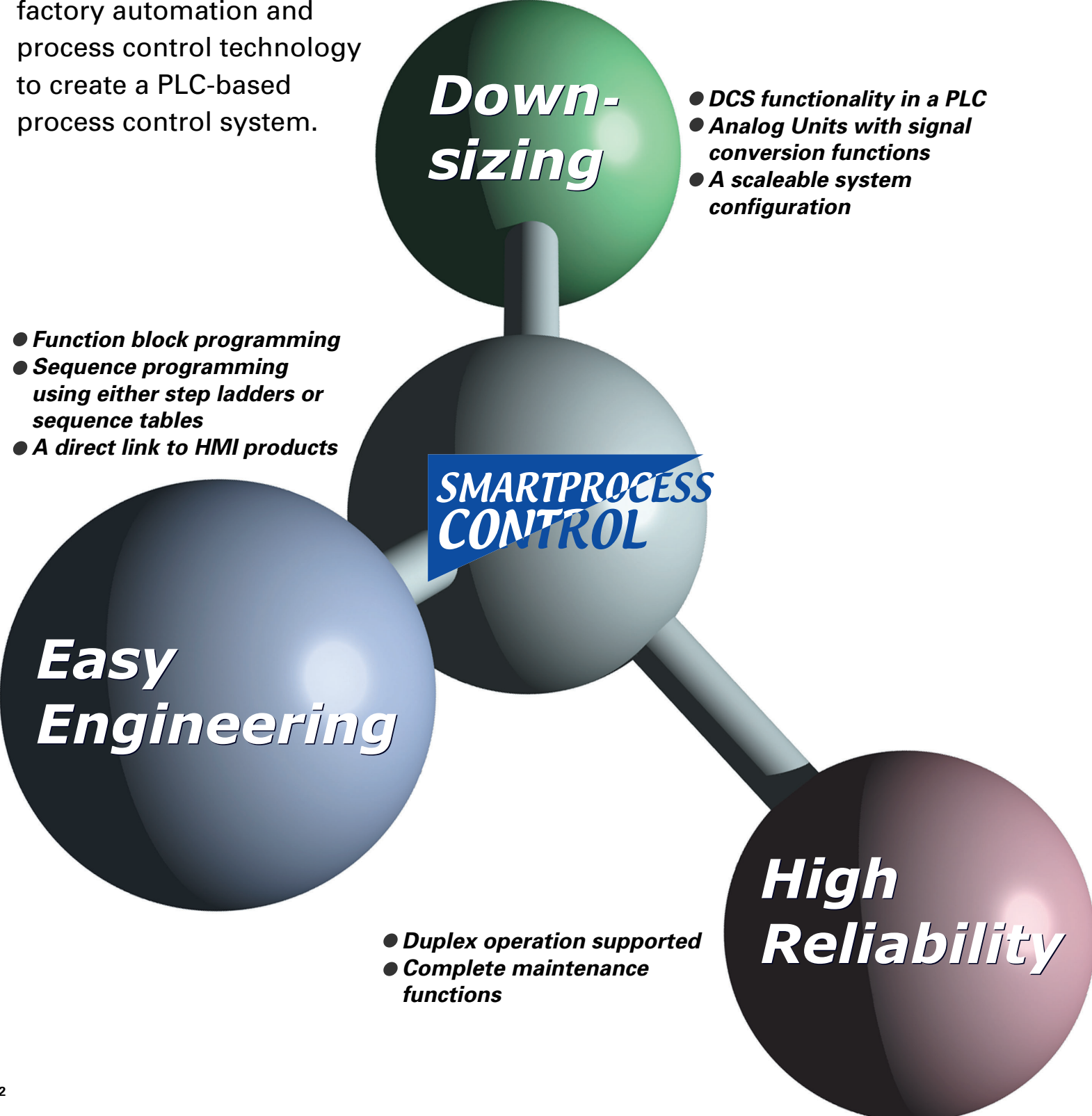
OMRON's PLC-based Process Control = Process Control

General-purpose PLCs provide everything from simple loop control to advanced process control to meet customer needs.

A Breakthrough

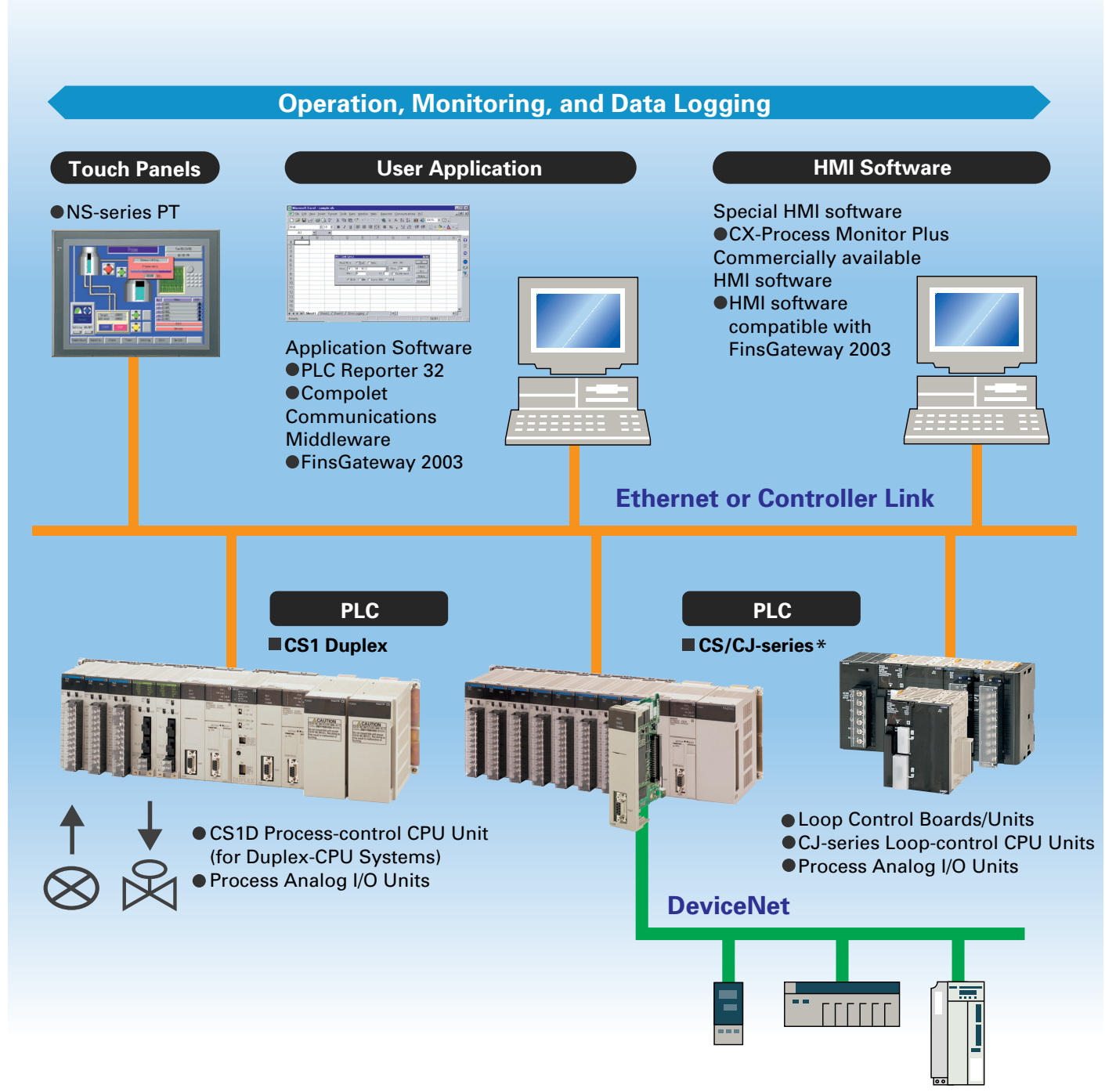
The accelerating wave of globalization calls for rebuilding systems to cope with changes in demand. And now OMRON has taken its wealth of technical know-how in factory automation and process control technology to create a PLC-based process control system.

- Function block programming
- Sequence programming using either step ladders or sequence tables
- A direct link to HMI products



The open nature of the PLCs is joined by integrating hardware, software, and networking to meet your needs.

Increasing amounts of information, standardization, and open standards form the basis for achieving hardware and networking capabilities for process control. A wide range of software that can be easily used by design, development, and maintenance personnel makes operating and maintaining the system far easier.



*For details on the CJ Series, refer to the Loop-control CPU Units Catalog (R128-E1-01).

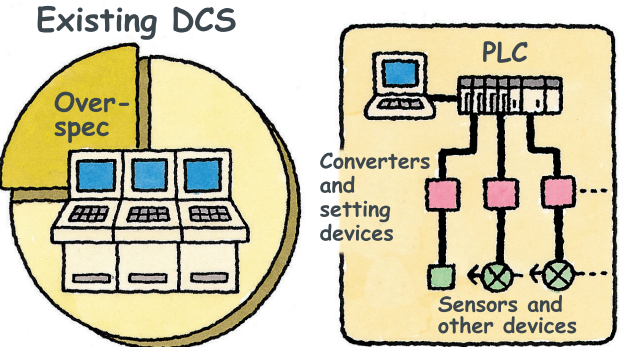
Going Beyond the Traditional Limits of PLCs with PLC-based Process Control

Reducing the Total Cost of Ownership from Initial Costs through Running Costs. PLC-based Process Control Meets Customer Needs

Existing System Problems

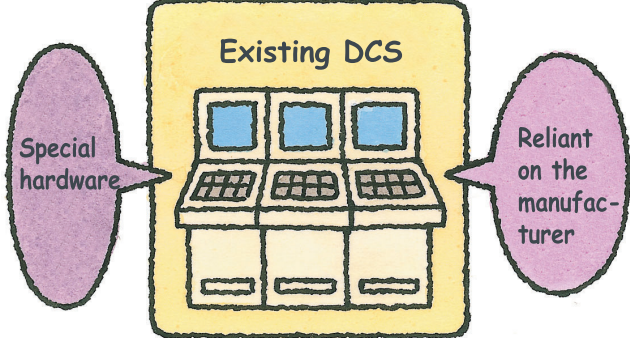
Systems are large, meaning high initial costs.

The over-spec nature of a distributed control system (DCS) increased costs. PLCs, however, could not provide the required process control capabilities, and signal conversion with isolators and other devices was required for I/O. It was just not possible to achieve the ideal system for a specific application.



Running costs are high because maintenance and modifications require specialists.

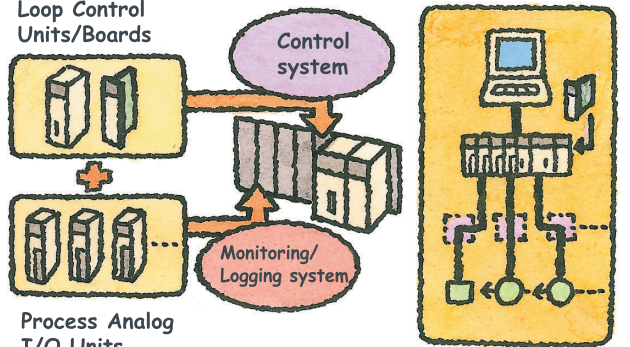
The manufacturer must be relied upon for everything from system construction to maintenance. Even simple changes to parameters cannot be performed in-house. And, it's nearly impossible to use general-purpose devices and software (such as HMI devices or Windows-based software) when modifying the system.



PLC-based Process Control

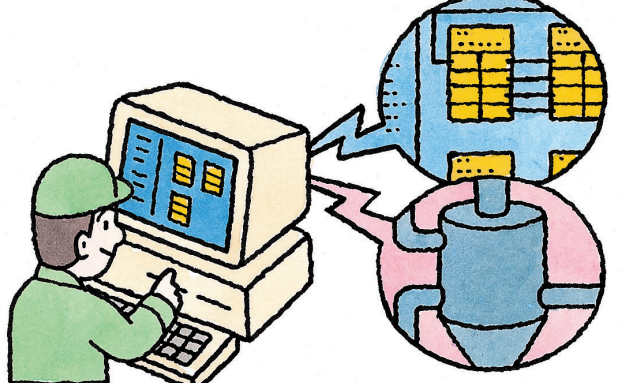
Down Sizing
Cut costs, Save space, Reduce labor

PLCs provide the same functionality and performance as DCS while also providing the advanced features of PLCs: Open specs, easy maintenance, and cost performance. A wide range of Isolated-type Analog Units helps to save space and greatly reduces system costs.



Easy Engineering
Engineering is simple when you can program with function blocks.

Paste function blocks in a window just like you were creating a flow sheet, and then connect the blocks with the mouse to graphically program a wide range of process control. And with a PLC, it's easy to incorporate general-purpose HMI devices and software (such as touch panels and SCADA software).



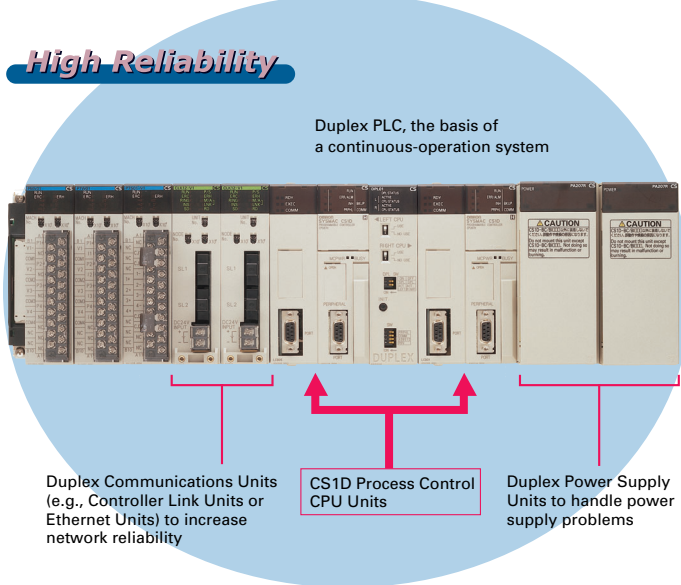
Avoid Problems and Minimize Risks with a Duplex System

Increase the reliability of the facilities and devices with a Duplex PLC-based Process Control System.

If an error occurs in the active CPU Unit, the standby CPU Unit takes over in an instant (using the hot standby method) so that system operation continues essentially unaffected. Other duplex variations are also possible. For example, instead of duplexing the CPU Unit, Power Supply Unit, and Controller Link Unit, a system can be constructed with a Single-CPU Unit and only a duplex Power Supply Unit or only a duplex Controller Link Unit.

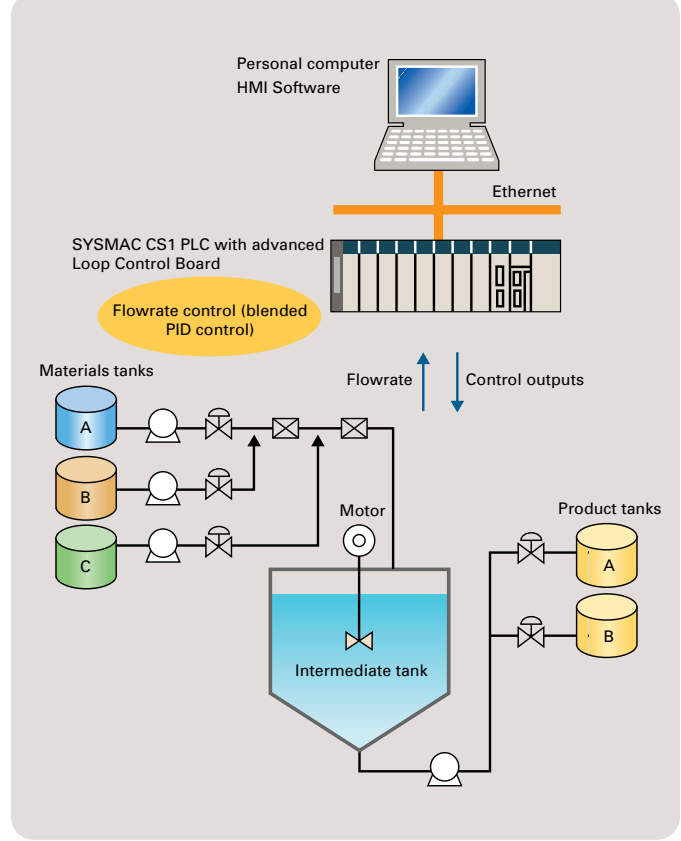
A duplex system means rapid recovery for errors without stopping system operation.

Replace Units with power supplied or even while the system is running, including CPU Units (Duplex-CPU system), Power Supply Units, Communications Units, Basic I/O Units, and Special I/O Units.

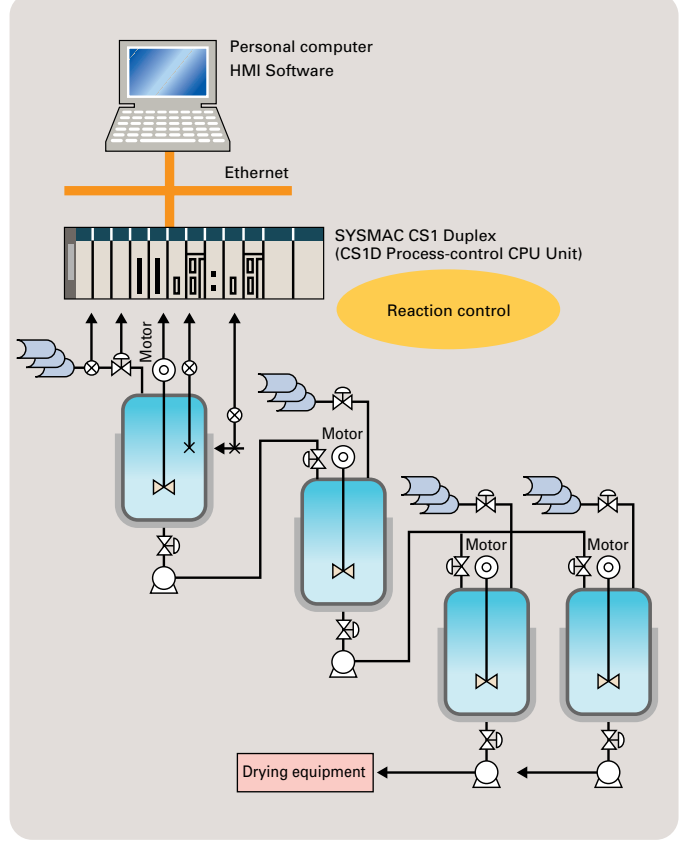


PLC-based Process Control Application Examples

In-line Blending in a Food Plant



Batch Control in a Chemical Plant



A Revolutionary Solution to Process Control

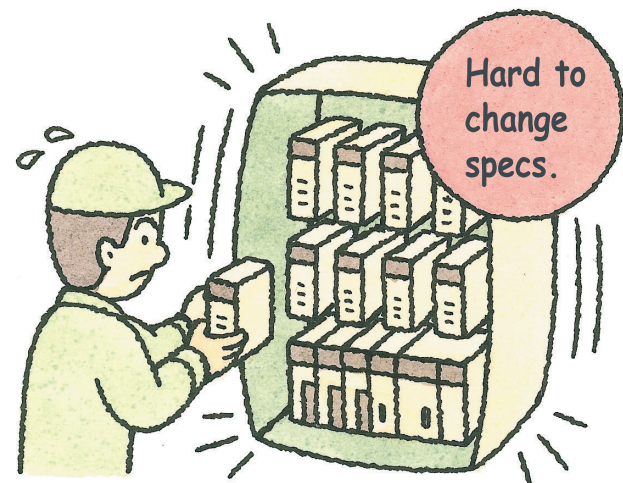
Advanced Controller Functions in a PLC

For easier loop control, for advanced PLC-based analog control:
The New SYSMAC CS1-based Solution

Existing System Problems

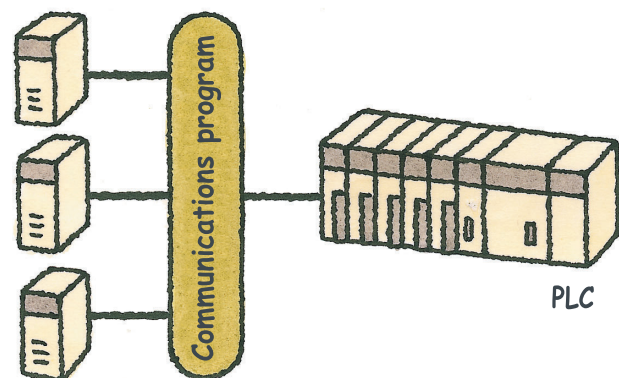
Excessive installation space is required.

When using more than one controller for multi-loop control, the control panel is just too big. And specification changes required altering the control panel, making changes difficult.



Programming communications with the controllers is extremely difficult.

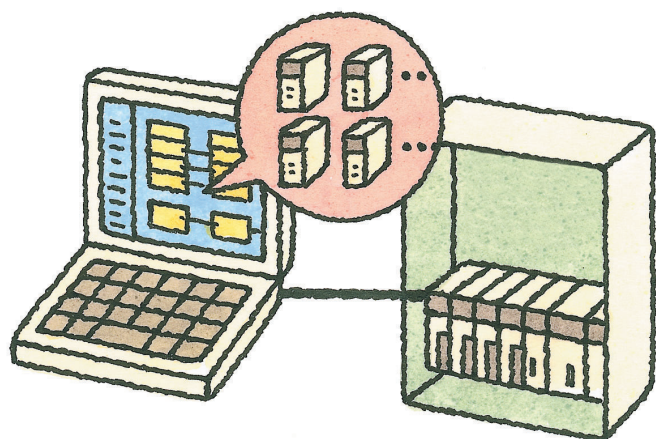
Communications must be programmed to input data to the PLC. And communications time can restrict control performance. The more controllers that are used, the more difficult maintenance becomes.



PLC-based Process Control

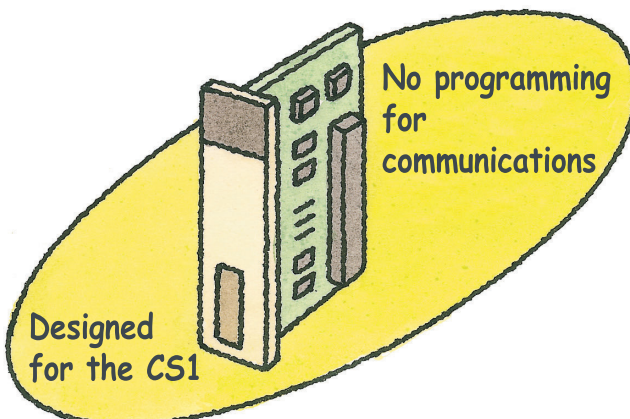
Down Sizing
Consolidate the functions of many controllers

Programming is as simple as combining the function blocks required by the application. To increase the number of controlled loops, just add them to the program. HMI windows can also be created easily using a wide range of utility software.



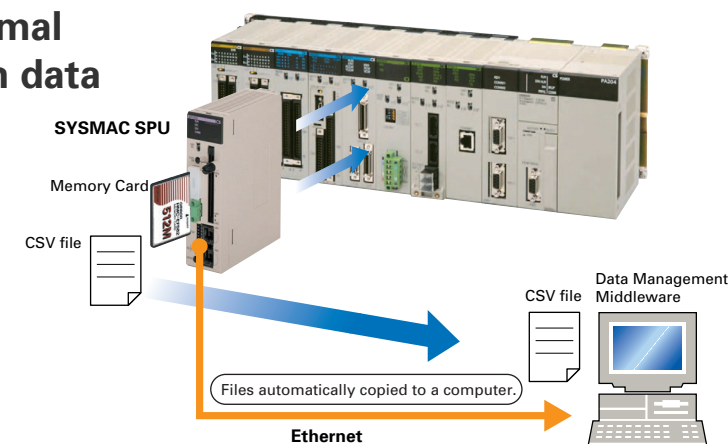
Easy Engineering
Advanced controller functions are built into the CS1 PLCs. No programming is required for communications.

The Loop Control Boards and Units were designed for the CS1 PLCs and require no communications programming. High-speed, flexible data links can be created with the PLC to increase control performance.

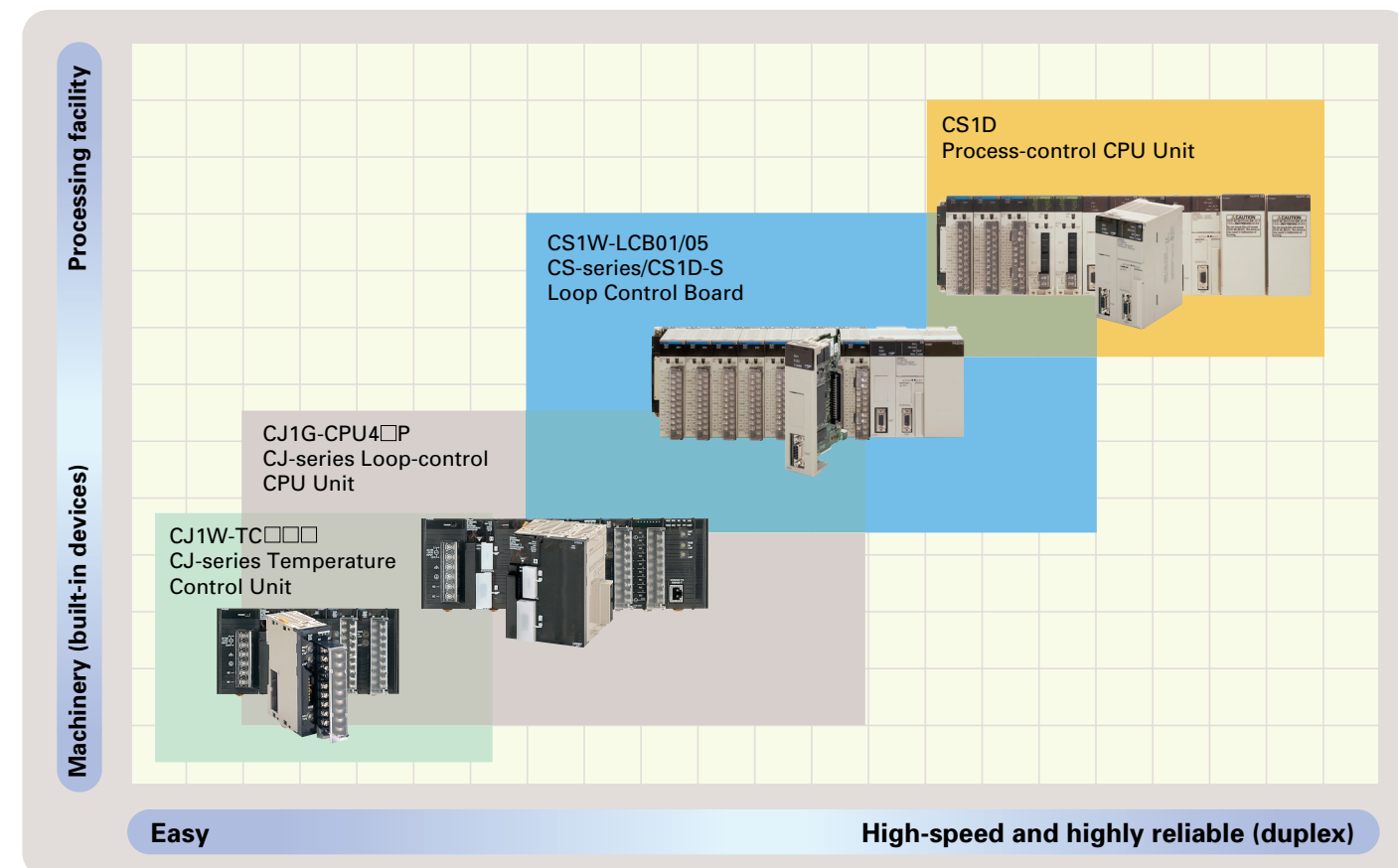


Adding OMRON's Storage and Processing Unit (SPU Unit), which enables high-speed, large volume, and reliable collection of logging data held in the Process Input Unit, provides a means to analyze production processes, abnormal operation, and relationships between data and quality.

- Use an environment-resistant PLC Unit to collect data without a personal computer.
- High-speed, large-capacity data collection.
- Collected data is saved in CSV files.
- No ladder programming is required for data collection.
- Flexibly convert data types into different file formats.
- Software available to easily transfer collected data to a host computer.



Compact CJ-series Loop-control CPU Units ideal for equipment built-in controller applications have been added to the series, further expanding the selection to suit the application.

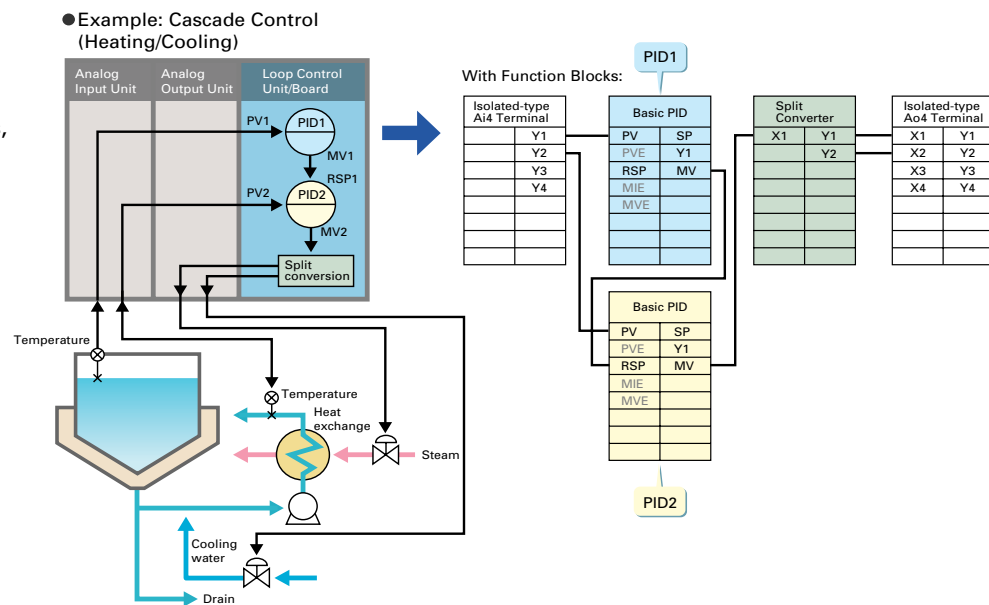


For details on the CJ Series, refer to the Loop-control CPU Units Catalog (R128).

The Smart Products that Configure OMRON Process Control

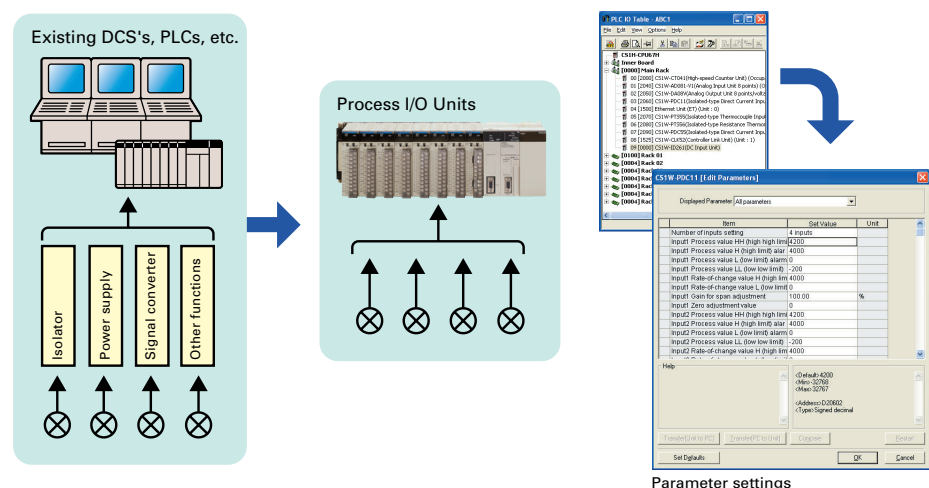
Loop Control Boards (LCBs) and Loop Control Units (LCUs)

Packed with complete DCS functionality, the LCBs/LCUs are programmed with function blocks designed specifically for process control. By combining function blocks, a wide array of control methods, from basic PID control to cascade and feed-forward control can be easily configured. The LCB/LCU is used in combination with I/O Units to perform I/O operations.



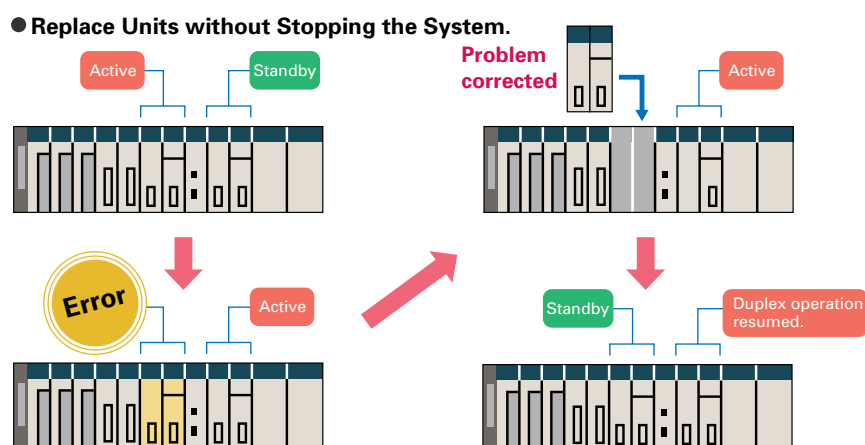
Process Analog I/O Units

These Analog I/O Units provide the functionality of isolators, power supplies, signal converters, and other devices. The built-in functions, such as measurement value alarms, rate-of-change calculations, and square roots, have enabled major savings in cost and space compared with previous systems. High-resolution Models and 8-point Input Models are also available. By combining the Units, logging/monitoring systems can be constructed, or the Units can be used together with LCBs/LCUs to construct complete process control systems. Parameters can be easily displayed and set in an easy-to-understand form without special tools.



SYSMAC CS1D-series Duplex PLCs

Process control system redundancy is easily achieved by mounting Process-control CPU Units to the SYSMAC CS1D system. A duplex system can greatly reduce risk in chemical plants, ship boiler systems, semiconductor utilities, or anywhere reliability is demanded.

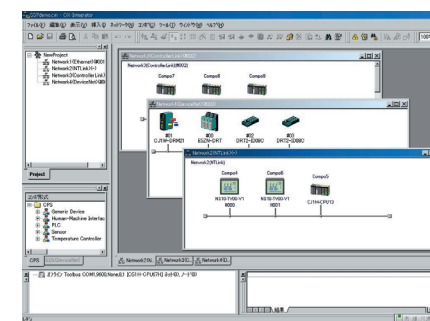


The required number of engineering steps is reduced by software that enables analog control programming by combining function blocks and easy connection to HMI devices.

CX-One

Integrated Package Tool

The CX-One is an integrated software package that includes the CX-Programmer PLC Support Software and CX-Process Loop Controller Support Software, as well as the CX-Designer PT Support Software. The CX-One provides inter-software information and settings inheritance for complete system-level support. Even advanced parameters from CPU Unit to CPU Bus Unit parameters through FA network startup can be easily set without relying on user manuals.

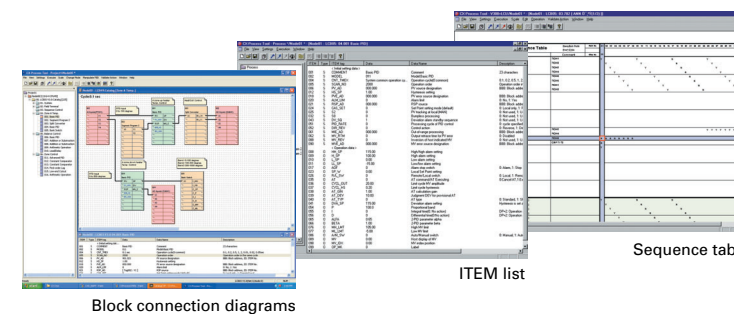


CX-One
Network Support Software:
CX-Integrator

CX-Process Tool

Programming

Program graphically by pasting function blocks for PID control, square root calculations, or other functions in a window and then connect them with the mouse. Multiple function blocks can be grouped together to define a single user-defined function block. Function blocks can also be used in sequence tables and step ladders for sequence control programming.

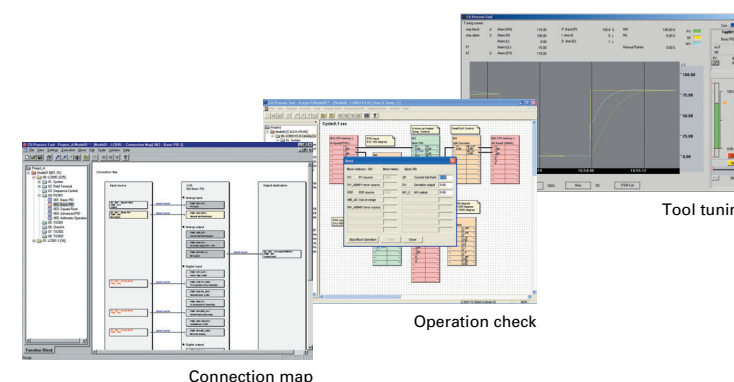


Operation and Debugging

Engineering is simplified by a host of debugging functions that help in setting up the program.

- ITEM lists for individual function blocks can be monitored or settings can be changed.
- Parameters can be easily monitored or changed on tuning windows (up to 4 windows can be started simultaneously).
- Tuning data can be saved in CSV format.
- Individual function blocks can be added or deleted during operation.
- Connection, tag, and comment data can be downloaded to or uploaded from a Memory Card in a Loop Control Board (see note) or CPU Unit.

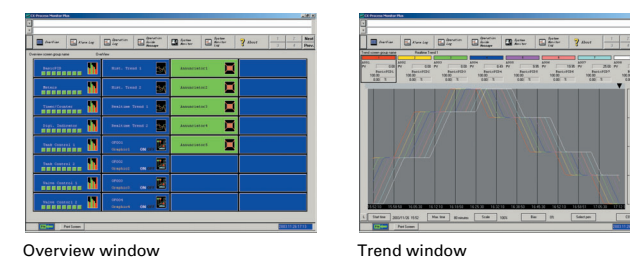
Note: Except for CS1D Process-control CPU Units.



CX-Process Monitor Plus

Monitoring

This Windows-based utility is used to download function block data from Loop Controllers and to monitor the system with control windows (images of the on-site functions), trend windows, graphic windows, annunciator windows, and more. Window configurations can be easily produced by simply selecting the desired tags.

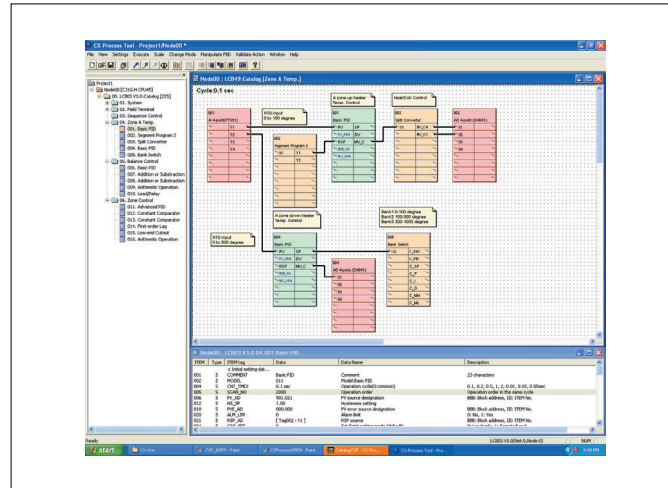


Progressively Easier Handling New Functions for the LCB01/05 Unit Ver. 3.0 with CX-Process Tool Ver. 5.0

Even Easier to Use Unrestricted location

Function blocks can now be positioned anywhere on the block diagram. And, up to 64 function blocks can be placed on one diagram instead of the previous 18. This makes programs easier to read than ever before.

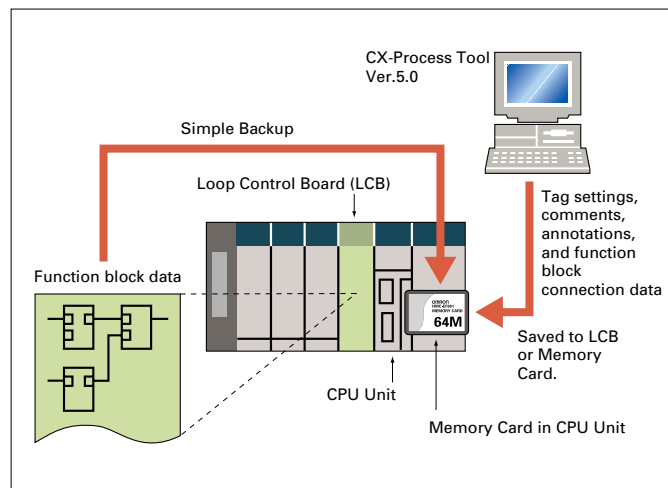
Supported by CS1W-LCB01/05 unit Ver. 3.0 or later.



Improved maintenance capabilities Backup Tags, Comments, and Connections Data

Tag settings, comments, annotations, and function block connection data previously saved to Memory Cards can now also be saved in the LCB. CS1 CPU Units support simple backup functions using the Memory Card that enable backup, recovery, and comparison of all PLC data including function block data in the Loop Control Board.

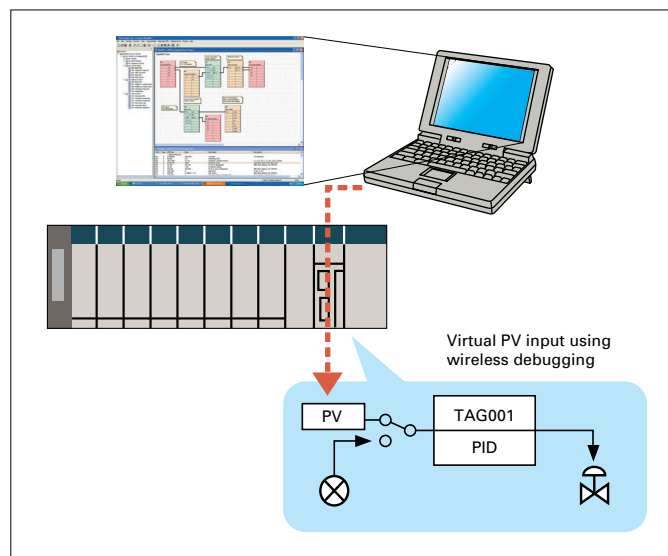
Supported by CS1W-LCB01/05 unit Ver. 3.0 or later.



Wireless debugging (calibration setting)

Any desired PV can be set without using inputs from field devices to enable checking operation with only a computer and the PLC. No loads need to be connected to verify programming or check operation in advance.

Supported by CS1W-LCB01/05 unit Ver. 3.0 or later.

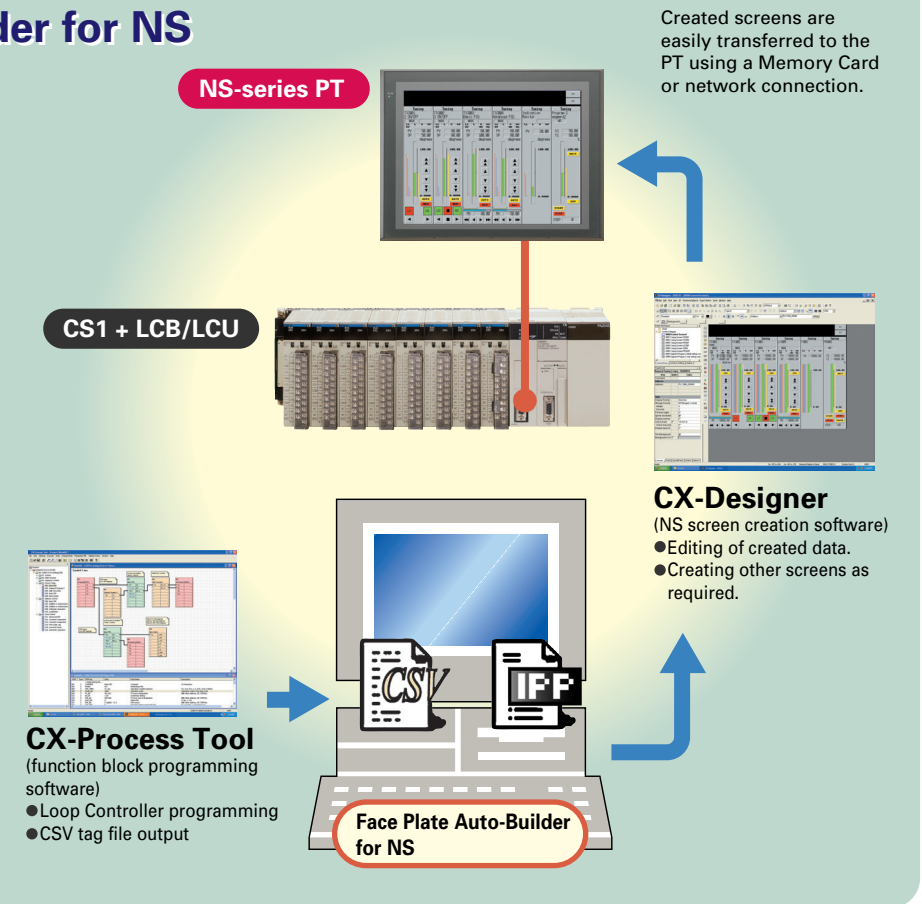


Utility Software

Face Plate Auto-Builder for NS

Engineering steps can be drastically reduced by combining a Loop Controller with an NS-series Programmable Terminal (PT).

- Automatically Generate Control and Tuning Windows The software generates NS touch panel screen data from tag information created on the CX-Process Tool (tag names, tag comments, scaling, I/O allocations, etc.).
- There is no need for troublesome communications address settings on the PT or ladder programming.
- The generated data can be edited on the CX-Designer (NS screen creation software) as required.



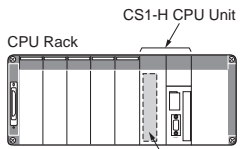
System Configuration

Mounting Position

Loop Control Boards/Units

CS1W-LCB01/05

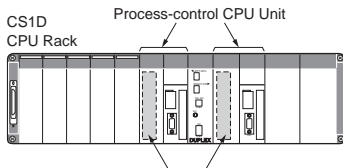
The CS1W-LCB01/05 Loop Control Board is an Inner Board for CS-series CPU Units. Only one Loop Control Board can be mounted to a CS1□-CPU□□H or CS1D-CPU□□S CPU Unit.



The Loop Control Board is mounted in the Inner Board slot.

CS1D-CPU6□P

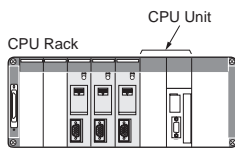
The LCB05D Duplex Loop Control Board is mounted in the Inner Board slot of the CS1D-CPU6□H and cannot be removed.



One Loop Control Board is mounted in each of the Inner Board slots (and cannot be removed).

CS1W-LC001

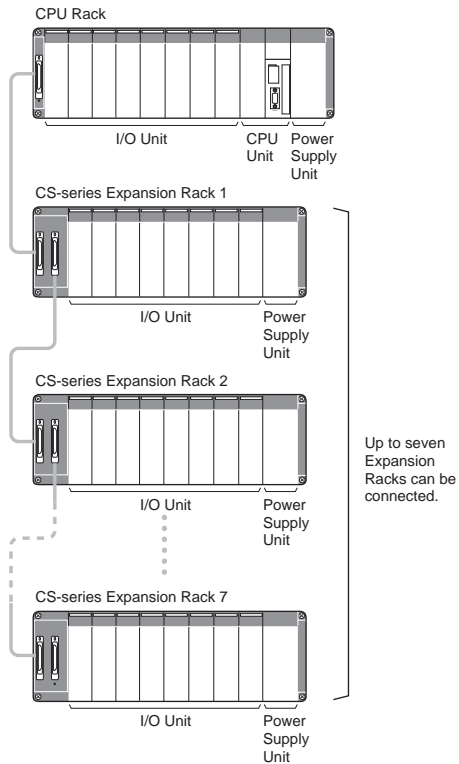
The CS1W-LC001 Loop Control Unit is a CS-series CPU Bus Unit. Up to three Loop Control Units can be mounted to the CPU Rack of a CS-series or CS1D CPU Unit.



Up to three Loop Control Units can be mounted in any position on the CPU Rack.

Process Analog I/O Units

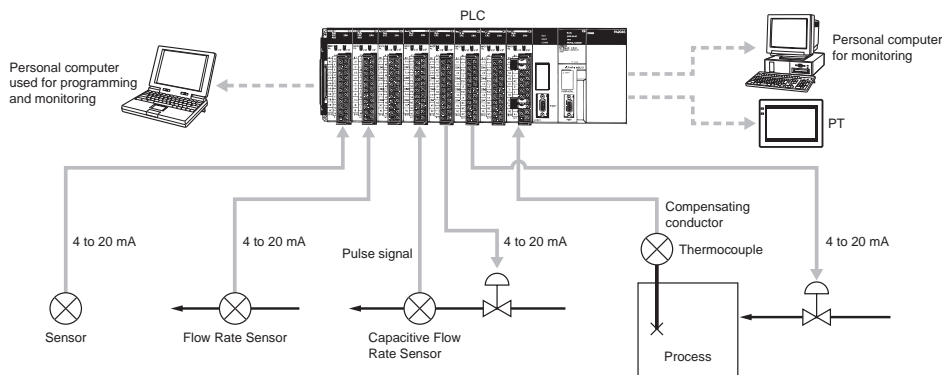
Process Analog I/O Units are classified as CS-series Special I/O Units and are mounted to the CPU Rack or a CS-series Expansion Rack. The number of Units that can be mounted to a single Rack (CPU Rack or Expansion Rack) depends on the maximum supply current of the Power Supply Unit and the current consumption of other Units mounted to the Rack. Process Analog I/O Units can be mounted in any position on the Racks.



Up to seven Expansion Racks can be connected.

PLC-based Process Control Configuration Example

The process control system is configured using Loop Control Boards/Units, Process Analog I/O Units, and Analog I/O Units to control the functions of the peripheral instruments.



Loop Control Boards and Units

General Specifications

Item		Specification		
Name		Loop Control Boards		Loop Control Unit (See note 1.)
Unit classification		CS-series Inner Boards		CS-series CPU Bus Unit
Model number		CS1W-LCB01: Standard Inner Board	CS1W-LCB05: Special Inner Board	LCB05D: Duplex Inner Board
Applicable CPU Units		CS1G/H-CPU□□H CS1D-CPU□□S (See note 2.)	CS1G/H-CPU□□H CS1D-CPU□□S (See note 2.)	Built into the CS1D-CPU6□P. CS-series CPU Units
Mounting location		Inner Board slot in CPU Unit		CPU Rack only
Number of Boards/Units		1 Board max. per CPU Unit		3 Units max. per CPU Unit
Data exchange with CPU Unit	I/O memory	User Link Tables: ITEM data for function blocks can be allocated in any part of I/O memory (CIO, WR, HR, or DM Areas, or EM Area bank 0).		CPU Terminal Blocks: ITEM data for function blocks can be allocated in any part of I/O memory in the CPU Unit. (CIO, WR, HR, or DM Areas, or EM Area bank 0)
	All data	HMI function used to allocate function block ITEM data for Control, Operation, and External Controller blocks in the specified bank of the EM Area in the CPU Unit. (Default: Bank 0)		Send/Receive All Blocks: Can be allocated in any part of I/O memory. (CIO, WR, HR, or DM Areas, or EM Area bank 0) (Default: No data allocated.)
Setting switches		None		Rotary switch on front panel: Unit number (0 to F)
Indicators		3 LEDs: RUN, ready, and communications port send/receive		5 LEDs: RUN operation, communications port send, communications port receive, CPU Unit error, and Unit error
Front panel connections		RS-232C port x 1 (The CS1D-LCB05D cannot be used to connect to the ES100X Controller.)		
Data backup		By super capacitor: All function block data (including sequence tables and step ladder instructions)		By battery: All function block data (including step ladder instructions) and error log data
Battery/capacitor life		24 hours at 25°C (life shortened by use at higher temperatures)		5 years at 25°C (life shortened by use at higher temperatures)
Data storage in flash memory		Function block data (RAM data backup and recovery can be performed whenever necessary.) Error log data		Function block data (RAM data backup and recovery can be performed whenever necessary.)
Effect on CPU Unit cycle time		0.8 ms max.	25 ms max. (See note 3.)	0.2 ms
Current consumption (supplied from Power Supply Unit)		220 mA at 5 V DC (Increased by 150 mA when NT-AL001-E Link Adapter is used.)		360 mA max. at 5 V DC (Increased by 150 mA when NT-AL001-E Link Adapter is used.)
Dimensions		34.5 × 130 × 100.5 mm (WxHxD)		
Weight		100g max.		220 g max.
Standard accessories		None		C200H-BAT09 Battery (mounted at time of shipment)

- Note:**
1. The functions described here are for the Loop Control Board Ver. 2.5.
 2. A Loop Control Board Unit Ver. 1.5 or later is required for use. Do not use a Loop Control Board with a unit version earlier than 1.5.
 3. During duplex initialization: 2.1 s max.

Function Specifications

Item		Specification			
Model numbers		CS1W-LCB01	CS1W-LCB05 LCB05D (Built into the CS1D-CPU6□P.)	CS1W-LC001	
Operation method		Function block method			
Operation cycle		Settable cycles: 0.01, 0.02, 0.05, 0.1, 0.2, 0.5, 1, or 2 s (default: 1 s) (See note 1.) Can be set for each function block.		Settable cycles: 0.1, 0.2, 0.5, 1, or 2 s (default: 1 s) Can be set for each function block.	
Number of function blocks	Analog operation	Control blocks (See note 2.)	50 blocks max.	500 blocks max.	32 blocks max.
		External controller blocks	32 blocks max. (LCB05D not included).		
Sequence control	Sequence tables	None	200 tables max. 32 conditions and 32 actions per table max. (expandable to 64 conditions and 64 actions per table) 6,400 rules total max.	None	
	Step ladder program blocks	20 blocks max. 2,000 commands total 100 commands max. per block Separable into a 100 steps max.	200 blocks max. 4,000 commands total 100 commands max. per block Separable into a 100 steps max.		
I/O blocks	Field terminal blocks	80 blocks max			
	User link tables	2,400 data items max.		None	
	All data	HMI functions Allocated 1 EM Area bank		Send/Receive All Blocks: 1 block each max.	
	CPU terminal blocks	None		16 blocks max.	
	Node terminal blocks	None		100 blocks max.	
System common blocks		1 block max.			
Method for creating and transferring function blocks		Created and transferred using CX-Process Tool (purchased separately).			
Control methods	PID control method	PID with 2 degrees of freedom (with auto-tuning)			
	Control combinations	Any of the following function blocks can be combined: Basic PID control, cascade control, feed-forward control, sample PI control, Smith dead time compensation control, PID control with differential gap, override control, program control, time-proportional control, etc.			
Alarms	PID block internal alarms	4 PV alarms (upper upper-limit, upper limit, lower limit, lower lower-limit) and 1 deviation alarm per PID block			
	Alarm blocks	High/low alarm blocks, deviation alarm blocks			

- Note:**
1. Operation cycles of 0.01, 0.02, and 0.05 s cannot be set for the LCB05D.
 2. Control blocks such as those for PID control.
 3. Operation blocks for process control such as those for alarms, square roots, time/date calculations, and pulse-train computations.

CX-Process Tool and Monitor

Software Specifications

Item	Specifications	
	CX-Process Tool	CX-Process Monitor Plus
Name	CX-Process	CX-Process Monitor Plus
Model number	WS02-LCTC1-EV5	WS02-LCMC1-E
Applicable PLCs	CS-series PLCs CJ-series PLCs	
Applicable Units	CJ-series Loop-control CPU Units CS-series Loop Control Units/Boards CS1D Process-control CPU Units	CJ-series Loop-control CPU Units CS-series Loop Control Units/Boards CS1D Process-control CPU Units
Compatible computers	Computer	IBM PC/AT or compatible
	CPU	Minimum: Pentium 133 MHz min. Recommended: Celeron 400 MHz min.
	OS	Microsoft Windows 2000 (Service Pack 3 or higher), NT4.0 (Service Pack 6a), 98SE, Me (see note 2), or XP
	Memory	Minimum: 32 Mbytes Recommended: 64 Mbytes min.
	Hard disk storage	Minimum: 50 Mbytes free space Recommended: 100 Mbytes min. free space
	Monitor	Minimum: XGA Recommended: SXGA 65,536 colors or more
	CD-ROM drive	1 drive min.
	Sound board	---
	Mouse	Recommended: Microsoft mouse or compatible pointing device
Communications method	Connection with CPU Unit (or Serial Communications Board/Unit)	When FinsGateway Serial Unit driver is used: Communications protocol with PLC: Host Link (Peripheral Bus is not supported.) (See note 3.) • Connect the computer to the peripheral port or built-in RS-232C port of the CPU Unit, or to the RS-232C port of the Serial Communications Board/Unit. • Connecting cable: For connecting to peripheral port of CPU Unit: CS1W-CN□□□ (2 m or 6 m) For connecting to RS-232C port of CPU Unit: XW2Z-□□□-□ (2 m or 5 m)
		When CX-Server is used: Communications protocol with PLC: Host Link or Peripheral Bus Connecting cable: • For connecting to peripheral port of CPU Unit: CS1W-CN□□□ (2 m or 6 m) • For connecting to RS-232C port of CPU Unit: XW2Z-□□□-□ (2 m or 5 m)
	Connection via Controller Link	When FinsGateway Controller Link driver or CX-Server is used: Install the software in a computer with a Controller Link Support Board to communicate with a PLC with a Controller Link Unit mounted.
	Connection via Ethernet	When FinsGateway ETN_UNIT driver or CX-Server is used: Install the software in a computer with an Ethernet Board to communicate with a PLC with an Ethernet Unit mounted.

Item	Specifications	
	CX-Process Tool	CX-Process Monitor Plus
Offline functions	ITEM data settings for function blocks <ul style="list-style-type: none"> • Software connections for analog signals • Displaying and printing text strings (annotation) pasted on function block diagrams and ladder diagrams. • Instructions for step ladder blocks and commands for sequence table blocks • Tag settings for CX-Process Monitor 	Construction of user screens
Online functions	<ul style="list-style-type: none"> • Transfer of function block data (Downloading/Uploading for Loop Control Boards/Units.) • Starting/stopping all function blocks (LCU/LCB) • Monitoring system operation: Monitoring and controlling the System Common block (including LCB/LCU load rates) • Validating LCB/LCU operation: Checking function block connections (including starting and starting individual function blocks), validating ladder diagrams and sequence tables, and monitoring ITEMS • Tuning PID constants and other parameters (fine tuning and autotuning) • Initialization of Loop Control Unit memory (RAM) 	User screens <ul style="list-style-type: none"> • Overview screen • Control screen • Tuning screen • Trend screen • Graphic screen • Operating guide message screen System screens <ul style="list-style-type: none"> • Alarm history screen • System monitor screen • Operation log screen

- Note:**
1. The CX-Process functions that can be used depend on the version. For details, refer to the operation manuals (Cat. No.: W372-E1-□ and W373-E1-□).
 2. When using Windows Me, the CPU must be a Pentium 150 MHz or higher.
 3. Peripheral Bus cannot be used when FinsGateway V3 is used.

■ Connections to PLC

The following 4 methods can be used to connect to a PLC.

Communications network		Communication driver		
		FinsGateway V3	FinsGateway Version2003 (See note 1.)	CX-Server V2.2
Host Link	Connection via PLC's peripheral port or RS-232C port	Supported (Serial Unit version is used.)		Supported (See note 2.)
Peripheral Bus		Not supported	Supported	Supported (See note 2.)
Controller Link	Connection to PLC with Controller Link Unit via Controller Link Support Board (PCI board).	Supported (See note 3.) (CLK (PCI) version is used.)		Supported
	Connection to PLC with Controller Link Unit via Controller Link Support Board (ISA board).	Supported (CLK (ISA) version is used.)		Supported
Ethernet	Connection to PLC with Ethernet Unit via Ethernet Board.	Supported (Ethernet version is used.)		Supported

- Note:**
1. Windows 2000 and XP are supported. (Windows 95, 98, and Me are not supported.)
 2. When CX-Server is used for communications, CX-Programmer can be simultaneously connected via the same COM port.
 3. The Windows 95 operating system cannot be used.

Function Blocks (Unit Ver. 3.0)

System Common Blocks

Type	Block Name	Function
System	System Common	Makes settings common to all function blocks and outputs signals for the system.

Control Blocks

Type	Block Name	Function
Controller	2-position ON/OFF (See note.)	2-position type ON/OFF controller
	3-position ON/OFF (See note.)	3-position type ON/OFF controller for heating/cooling ON/OFF control
	Basic PID (See note.)	Performs basic PID control.
	Advanced PID (See note.)	Performs PID with two degrees of freedom control for enabling deviation/MV compensation, MV tracking, etc.
	Blended PID	Performs PID control on the cumulative value (cumulative deviation) between the accumulated value PV and accumulated value Remote Set Point.
	Batch Flowrate Capture	Functions to open the valve at a fixed opening until a fixed batch accumulated value is reached.
	Fuzzy Logic	Outputs up to two analog outputs based on fuzzy logic performed on up to 8 analog inputs.
	Indication and Setting (See note.)	Manual setter with PV indication and SP setting functions
	Indication and Operation (See note.)	Manual setter with PV indication and MV setting functions
	Ratio Setting (See note.)	Ratio and bias setter with PV indication and ratio setting function
Indicator (See note.)	PV indicator with PV alarm	

Note: High-speed control of function blocks is supported (the operation cycle can be set to 0.01 s, 0.02 s, or 0.05 s), except when using the LCB05D.

External Controller Blocks

Type	Block Name	Function
External Controller Block	ES100X Controller Terminal (See note.)	Performs monitoring and setting for an ES100X Controller connected directly to the RS-232C port on the Loop Control Unit.

Note: LCB05D not supported.

Operation Blocks

Type	Block Name	Function
Alarm/ Signal restrictions/ Hold	4-Point Warning Indicator (See note 3.)	Provides the alarm contact outputs for the high/high, high, low, and low/low limits of single analog signals. This function block provides the same function as the Indicator block (model 034).
	High/Low Alarm (See note 1.)	Provides the alarm contact outputs for the high and low limits of single analog signals.
	Deviation Alarm (See note 1.)	Provides the alarm contact outputs for the deviation of two analog signals.
	Rate-of-change Operation and Alarm (See note 1.)	Provides the alarm contact outputs for the high and low limits of rate-of-change operation when the analog signal rate-of-change is output.
	High/Low Limit (See note 1.)	Limits the high and low limits of single analog signals.
	Deviation Limit (See note 1.)	Calculates the deviation between two analog signals, and limits the deviation within that range.
	Analog Signal Hold (See note 1.)	Holds the maximum, minimum or instantaneous value of single analog signals.

Function Blocks (Unit Ver. 3.0)

Type	Block Name	Function
Arithmetic	Addition or Subtraction (See note 1.)	Performs addition/subtraction with gain and bias on up to 4 analog signals.
	Multiplication (See note 1.)	Performs multiplication with gain and bias on up to 2 analog signals.
	Division (See note 1.)	Performs division with gain and bias on up to 2 analog signals.
	Range Conversion (See note 1.)	Easily converts up to 8 analog signals simply by inputting the 0% and 100% input values and 0% and 100% output values.
	Arithmetic Operation (See note 1.)	Performs various math operation (trigonometric, logarithmic, etc.) on floating-point decimal values converted (to industrial units) from up to 8 analog inputs.
Functions	Square Root (See note 1.)	Performs square root extraction (with low-end cutout) on single analog signals.
	Absolute Value (See note 1.)	Outputs the absolute value of single analog signals.
	Non-linear Gain (Dead Band) (See note 1.)	Performs non-linear (3 gain values) operation on single analog signals. Analog signals can also set as a dead band (with different gap).
	Low-end Cutout (See note 1.)	Sets output to zero close to the zero point of single analog signals.
	Segment Linearizer (See note 1.)	Converts single analog signals to 15 segments before the signals is output.
	Temperature And Pressure Correction (See note 1.)	Performs temperature and pressure correction.
Time Function	First-order Lag (See note 1.)	Performs first-order lag operation on single analog signals.
	Rate-of-change Limit (See note 1.)	Performs rate-of-change restriction on single analog signals.
	Moving Average (See note 1.)	Performs moving average operation on single analog signals.
	Lead/Delay (See note 1.)	Performs lead/delay operation on single analog signals.
	Dead Time (See note 1.)	Performs dead time and first-order lag operations on single analog signals.
	Dead Time Compensation	Used for Smith's dead time compensation PID control
	Accumulator for Instantaneous Value Input	Accumulates analog signals, and outputs 8-digit accumulated value signals.
	Run Time Accumulator	Accumulates the operating time, and outputs the pulse signal per specified time.
	Time Sequence Data Statistics (See note 1.)	Records time sequence data from analog signals and calculates statistics, such as averages and standard deviations.
	Ramp Program	Ramp program setter for combining ramps for time and hold values.
	Segment Program	Segment program setter setting the output values with respect to time.
	Segment Program 2	Segment program setting with wait function for setting the output values with respect to time
	Signal Selection/Switching	Rank Selector (See note 1.)
Input Selector (See note 1.)		Selects the specified analog signals specified by the contact signal from up to 8 analog signals.
3-input Selector (See note 1.)		Selects and outputs one of three analog input signals.
3-output Selector (See note 1.)		Outputs one analog input signal in one of three switched directions.
Constant Selector (See note 1.)		Selects 8 preset constants by the contact signal.
Constant Generator (See note 1.)		Outputs 8 independent constants.
Ramped Switch		Switches two analog inputs (or constants) with a ramp.
Bank Selector (See note 2.)		Stores a maximum of eight sets of PID parameters (SP, P, I, D, MH, ML) in advance, and switches them to basic PID, advanced PID, or blended PID parameters in response to the analog input zone or input bit.
Split Converter (See note 2.)		Takes an operating amount input from a basic PID or advanced PID block and converts the V characteristics or parallel characteristics into two analog outputs (e.g., heating and cooling operating amounts).
ITEM Settings		Constant ITEM Setting (See note 1.)
	Variable ITEM Setting (See note 1.)	Writes the analog signal to the specified ITEM at the rising edge of the send command contact.
	Batch Data Collector (See note 1.)	Stores each of max. 8 analog inputs to buffer by a certain timing within sequential processing.

Function Blocks (Unit Ver. 3.0)

Sequence Control Blocks

Type	Block Name	Function
Pulse Train Operation	Accumulated Value Input Adder	Adds up to four accumulated value signals.
	Accumulated Value Analog Multiplier	Multiplies analog signals by the accumulated value signals.
	Accumulator for Accumulated Value Input	Converts 4-digit accumulated value signals to 8 digits.
	Contact input/Accumulated Value Output	Counts low-speed contact pulses, and outputs 8-digit accumulated signals.
	Accumulated Value Input/Contact Output	Converts 4-digit accumulated value signals to low-speed contact pulses before they are output.
Others	Analog/Pulse Width Converter (See note 1.)	Changes the ON/OFF duration ratio in a constant cycle duration so that it is proportional to the analog signal.
Sequence Operation	Contact Distributor	Connect contact signals between function blocks in a 1:1 connection.
	Constant Comparator (See note 1.)	Compares up to eight sets of analog signals and constants, and outputs the comparison results as contacts.
	Variable Comparator (See note 1.)	Compares up to eight pairs of analog signals, and outputs the comparison results as contacts.
	Timer (See note 1.)	2-stage output type addition timer for forecast values and reached values. Can also output the present value.
	ON/OFF Timer (See note 1.)	Timer for performing ON-OFF operation at preset ON and OFF times.
	Clock Pulse (See note 1.)	Manipulates and monitors ON/OFF valves with open/close limit switches.
	Counter (See note 1.)	2-stage output type addition timer for forecast values and arrival values. Can also output the current value.
	Internal Switch (See note 1.)	Temporary storage contact for accepting relays in the Step Ladder Program block. (Note: One internal switch is already allocated as "temporary storage" in CX-Process Tool.)
	Level Check (See note 1.)	Checks an analog input for 8 levels and outputs a contact corresponding to the level. The level number is also output as an analog value.
Contact Type Control Target	ON/OFF Valve Manipulator	Manipulates and monitors ON/OFF valves with open/close limit switches.
	Motor Manipulator	Manipulates and monitors motor operation.
	Reversible Motor Manipulator	Manipulates and monitors reversible motor operation.
	Motor Opening Manipulator	Inputs a target opening, and manipulates an electric positional-proportional motor.

- Note:**
1. High-speed control of function blocks is supported (the operation cycle can be set to 0.01 s, 0.02 s, or 0.05 s), except when using the LCB05D.
 2. LCB05D not supported.
 3. Supported by the CS1W-LC001 only.

Sequence Control Blocks

Type	Block Name	Function
Sequence Control	Step Ladder Program (See note.)	Performs logic sequence and step progression control.
	Sequence Table (See note.)	Performs logic sequence and step progression control based on conditions and actions listed in tabular form.

- Note:** High-speed control of function blocks is supported (the operation cycle can be set to 0.01 s, 0.02 s, or 0.05 s), except when using the CS1D-LCB05D.

Field Terminal Blocks

Type	Block Name	Function
Contact I/O	DI 8-point Terminal (See note.)	Inputs 8 contacts from 8-point Input Unit.
	DI 16-point Terminal (See note.)	Inputs 16 contacts from 16-point Input Unit.
	DI 32-point Terminal (See note.)	Inputs 32 contacts from 32-point Input Unit.
	DI 64-point Terminal (See note.)	Inputs 64 contacts from 64-point Input Unit.
	DO 5-point Terminal (See note.)	Outputs 5 contacts from 5-point Output Unit.
	DO 8-point Terminal (See note.)	Outputs 8 contacts from 8-point Output Unit.
	DO12-point Terminal (See note.)	Outputs 12 contacts from 12-point Output Unit.
	DO16-point Terminal (See note.)	Outputs 16 contacts from 16-point Output Unit.
	DO32-point Terminal (See note.)	Outputs 32 contacts from 32-point Output Unit.
	DO64-point Terminal (See note.)	Outputs 64 contacts from 64-point Output Unit.
	DI 16-point/DO 16-point Terminal (See note.)	Inputs and outputs 16 contacts each from 16-point Input/16-point Output Units.
	DI 96-point Terminal (See note.)	Inputs 96 contacts from 96-contact Input Units.
	DO 96-point Terminal (See note.)	Outputs 96 contacts from 96-contact Output Units.
	DI 48-point/DO 48-point Terminal (See note.)	Inputs and outputs 48 contacts each from 48-point Input/48-point Output Units.
Analog I/O	AI 8-point Terminal (AD003) (See note.)	Inputs 8 analog signals from the C200H-AD003.
	AO 8-point Terminal (DA003/4) (See note.)	Inputs 8 analog signals from the C200H-DA003/DA004.
	AI 2-point/AO 2-point Terminal (MAD01) (See note.)	Inputs and outputs 2 analog signals each from the C200H-MAD01.
	AI 4-point Terminal (PTS01-V1/02/03, PDC01, PTW01) (See note.)	Inputs 4 analog signals from one of CS1W-PTS01-V1 (Isolated-type Thermocouple Input Unit), CS1W-PTS02/03 (Isolated-type Temperature-resistance Thermometer Input Unit), CS1W-PDC01 (Isolated-type Analog Input Unit) or CS1W-PTW01 (2-lead Transmitter Input Unit).
	PI 4-point Terminal (PPS01) (See note.)	Inputs 4 instantaneous values and accumulated values each from CS1W-PPS01 (Isolated-type Pulse Input Unit).
	AO 4-point Terminal (PMV01) (See note.)	Outputs 4 analog signals from CS1W-PMV01 (Isolated-type Control Output Unit).
	AI 8-point Terminal (PTR01/02) (See note.)	Inputs 8 analog signals from CS1W-PTR01 (Power Transducer Input Unit) or CS1W-PTR02 (Analog Input Unit (100 mV)).
	AO 4-point Terminal (PMV02) (See note.)	Outputs 4 analog signals from CS1W-PMV02 (Isolated-type Control Output Unit).

Function Blocks (Unit Ver. 3.0)

Type	Block Name	Function
	AI 4-point Terminal (PTS51) (See note.)	Inputs 4 analog signals from CS1W-PTS51 or CJ1W-PTS51 (isolated-type thermocouple Input Unit).
	AI 4-point Terminal (PTS52) (See note.)	Inputs 4 analog signals from CS1W-PTS52 or CJ1W-PTS52 (isolated-type thermocouple input Unit).
	AI 8-point Terminal (PTS55) (See note.)	Inputs 8 analog signals from CS1W-PTS55 (isolated-type thermocouple Input Unit).
	AI 8-point Terminal (PTS56) (See note.)	Inputs 8 analog signals from CS1W-PTS56 (isolated-type thermocouple Input Unit).
	AI 8-point Terminal (PDC55) (See note.)	Inputs 8 analog signals from CS1W-PDC55 (Direct current Input Unit).
	AI 4-point/AO 4-point Terminal (MAD44) (See note.)	Inputs and outputs 4 analog signals each from the CS1W-MAD44.
	AI 16-point Terminal (AD-161) (See note.)	Inputs 16 analog signals from CS1W-AD161.
	AI 8-point Terminal (AD-081) (See note.)	Inputs 8 analog signals from the CS1W-AD081(-V) or CJ1W-AD081(-V).
	AO 8-point Terminal (DA08V/C) (See note.)	Outputs 8 analog signals from the CS1W-DA08V/C or CJ1W-DA08V/C.
	AI 4-point Terminal (AD041) (See note.)	Inputs 4 analog signals from the CS1W-AD041 or CJ1W-AD041.
	AO 4-point Terminal (DA041) (See note.)	Outputs 4 analog signals from the CS1W-DA041 or CJ1W-DA041.
	AI 4-point Terminal (DRT1-AD04) (See note.)	Inputs four analog signals from a DRT1-AD04 DeviceNet Slave Analog Input Unit.
	AO 2-point Terminal (DRT1-DA02) (See note.)	Outputs two analog signals from a DRT1-DA02 DeviceNet Slave Analog Output Unit.

Note: High-speed control of function blocks is supported (the operation cycle can be set to 0.01 s, 0.02 s, or 0.05 s), except when using the LCB05D.

Node Terminal Blocks

Type	Block Name	Function
Send to Computer	DO to Computer	Sends 128 contacts to the send-to-computer area. When CX-Process Monitor is used, the contact signals to be monitored are connected to this function block.
	AO to Computer	Sends 16 analog values to the send-to-computer area. When CX-Process Monitor is used, the analog signals to be monitored are connected to this function block.
	1-Block Send Terminal to Computer	Sends a specified 1 block to the send-to-computer area. When CX-Process Monitor is used, the 1 block to be monitored are connected to this function block.
	4-Block Send Terminal to Computer	Sends a specified 4 block to the send-to-computer area. When CX-Process Monitor is used, the 4 block to be monitored are connected to this function block.
Send to All Nodes	DO Terminal to All Nodes	Sends 32 contacts to nodes on the Controller Link Data Link.
	AO Terminal to All Nodes	Sends 2 analog values to nodes on the Controller Link Data Link.
	DO Terminal Settings from Computer	Receives 32 contacts sent from the computer. (Can also be downloaded to the send-to-all nodes area.)
	AO Terminal Settings from Computer	Receives 2 analog values sent from the computer. (Can also be downloaded to the send-to-all nodes area.)
Receive from All Nodes	DI Terminal from All Nodes	Receives 32 contacts sent from nodes on the Controller Link Data Link.
	AI Terminal from All Nodes	Receives 2 analog values sent from nodes on the Controller Link Data Link.

CPU Unit Terminal Blocks

Type	Block Name	Function
CPU Unit Terminals	DI Terminal from CPU Unit	Inputs max. 128 points from any leading address in CPU Unit I/O memory (one of CIO, WR, HR, DM and EM area types). (read)
	DO Terminal to CPU Unit	Outputs max. 128 points from any leading address in CPU Unit I/O memory (one of CIO, WR, HR, DM and EM area types). (read and write)
	AI Terminal from CPU Unit	Inputs max. 8 words from any leading address in CPU Unit I/O memory (one of CIO, WR, HR, DM and EM area types). (read)
	AO Terminal to CPU Unit	Outputs max. 8 words from any leading address in CPU Unit I/O memory (one of CIO, WR, HR, DM and EM area types). (read and write)

SCADA Interface Blocks

Type	Block Name	Function
Expanded CPU Unit Terminals	Expanded DI Terminal from CPU Unit	Inputs any contact data in CPU Unit I/O Memory, and writes max. 64 points on another function block.
	Expanded DO Terminal from CPU Unit	Inputs the contact data of another function block, and writes max. 64 points on any I/O Memory in the CPU Unit.
	Expanded AI Terminal from CPU Unit	Inputs any analog data in CPU Unit I/O Memory, and writes max. 64 words on another function block.
	Expanded AO Terminal from CPU Unit	Inputs the analog data of another function block, and writes max. 64 words on any CPU Unit I/O Memory.
Send/Receive All Blocks	Receive All Blocks	Reads ITEM data specified for Send/Receive All Blocks for up to 32 Control Blocks, 249 Operation Blocks, and 32 External Controller Blocks starting from a specified address in the I/O memory of the CPU Unit.
	Send All Blocks	Writes ITEM data specified for Send/Receive All Blocks for up to 32 Control Blocks, 249 Operation Blocks, and 32 External Controller Blocks starting to a specified address in the I/O memory of the CPU Unit.

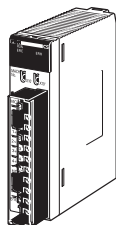
- Note:**
1. Node Terminal Blocks, CPU Unit Terminal Blocks, and SCADA Interface Blocks are supported by the CS1W-LC001 only.
 2. The CS1□-LCB□□□ supports User Link Tables and an HMI instead.

Analog I/O Units

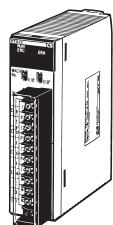
Analog I/O Units

Overview

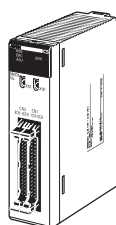
A wide range of 25 I/O Units, including 16 Isolated-type Units, covers almost all typical applications. Also featuring high-speed (10 ms) and high-resolution (1/64,000) types, this line-up meets a diverse array of potential uses, from data logging to high-speed measurement control.



CS1W-PTS11



CS1W-PTS12



CS1W-AD161

Features

- Dramatic reductions in installation cost, space, and set-up steps are attained by eliminating the need for external setters and converters.
- Process value alarms and rate-of-change calculations can be executed from temperature and analog inputs.
- Rate-of-change limits and high/low output limits calculated for analog output.
- Peak/bottom hold and top/valley hold functions can be used for process values (CS1W-P□□1□ only).
- Zero point and span can be adjusted for any specified range, and adjustment days and times can be automatically saved. The adjustment deadline and adjustment deadline expiration notice can also be set and notification given (CS1W-P□□1□ only).
- Changes exceeding a set threshold can be counted, and analog input values can be integrated (CS1W-P□□1□ only).
- Reduced wiring with MIL connectors (CS1W-AD161 only).
XW2D-34G6 Connector-Terminal Block Conversion Unit can be used.

Overview of Process Analog I/O Units

Name	Model	Number of I/O	Field I/O isolation	I/O type	Main specifications (See note.)	Main functions
Isolated-type Thermocouple Input Unit (high-resolution)	CS1W-PTS11	4 inputs	All inputs are isolated.	B, E, J, K, L, N, R, S, T, U, WRe5-26, PLII, ±100 mV	Standard accuracy: ±0.05% of F.S. Temperature coefficient: ±0.01%/°C Resolution: 1/64,000 Conversion period: 20 ms/4 pts, 10 ms/2 pts	Output scaling (±32,000) Process value alarms (HH, H, L, LL) Rate-of-change calculation and alarm Input disconnection alarm Top/bottom/valley hold Zero/span adjustment for any specified range
Isolated-type Resistance Thermometer Input Unit (high-resolution)	CS1W-PTS12	4 inputs	All inputs are isolated.	Pt100 Ω (JIS, IEC), JPt100 Ω, Pt50 Ω, Ni100 Ω	Standard accuracy: ±0.05% of F.S. or ±0.1, whichever is larger Temperature coefficient: ±0.009%/°C Resolution: 1/64,000 Conversion period: 20 ms/4 points, 10 ms/2 pts	Output scaling (±32,000) Process value alarms (HH, H, L, LL) Rate-of-change calculation and alarm Input disconnection alarm Top/bottom/valley hold Zero/span adjustment for any specified range
Isolated-type DC Input Unit (high-resolution)	CS1W-PDC11	4 inputs	All inputs are isolated.	4 to 20 mA, 0 to 20 mA, 0 to 10 V, ±10 V, 0 to 5 V, ±5 V, 1 to 5 V, 0 to 1.25 V, ±1.25 V	Standard accuracy: ±0.05% of F.S. Temperature coefficient: ±0.008%/°C Resolution: 1/64,000 Conversion period: 20 ms/4 pts, 10 ms/2 pts	Output scaling (±32,000) Process value alarms (HH, H, L, LL) Rate-of-change calculation and alarm Input disconnection alarm Top/bottom/valley hold Zero/span adjustment for any specified range
Isolated-type Thermocouple Input Unit (economical type)	CS1W-PTS51	4 inputs	All inputs are isolated.	R, S, K, J, T, L, B	Centigrade Selected Total accuracy: ±0.3% of PV or ±1°C whichever is larger, ±1 digit max. Conversion period: 250 ms/Unit	Process value alarms (H, L) Input disconnection detection
	CS1W-PTS55	8 inputs				
Isolated-type Resistance Thermometer Input Unit (economical type)	CS1W-PTS52	4 inputs	All inputs are isolated.	JPt100, Pt100 (JIS IEC)	Centigrade Selected Total accuracy: ±0.3% of PV or ±0.8°C, whichever larger, ±1 digit max. Conversion period: 250 ms/Unit	Process value alarms (H, L) Input disconnection detection
	CS1W-PTS56	8 inputs				
Isolated-type DC Input Unit (economical type)	CS1W-PDC55	8 inputs	All inputs are isolated.	4 to 20 mA, 0 to 10 V, 0 to 5 V, 1 to 5 V	Standard accuracy: ±0.3% of F.S. Resolution: 1/16,000 Conversion period: 250 ms/8 inputs	Process value alarms (H, L) Input disconnection alarm
Isolated-type Thermocouple Input Unit	CS1W-PTS01-V1	4 inputs	All inputs are isolated.	B, E, J, K, N, R, S, T Variable range: ±80 mV DC	Standard accuracy: ±0.1% Temp. coefficient: ±0.015%/°C Resolution: 1/4,096 Conversion cycle: 150 ms/4 pts	Variable range setting Scaling (±32,000) Process value alarms (HH, H, L, LL) Rate-of-change calculation and alarm Input disconnection detection


Analog I/O Units

Overview of Process Analog I/O Units

Name	Model	Number of I/O	Field I/O isolation	I/O type	Main specifications (See note.)	Main functions
Isolated-type Resistance Thermometer Input Unit	CS1W-PTS02	4 inputs	All inputs are isolated.	Pt100 (JIS, IEC), JPt100	Standard accuracy: $\pm 0.1\%$ or $\pm 0.1^\circ\text{C}$, whichever is larger Temperature coefficient: $\pm 0.015\%/^\circ\text{C}$ Resolution: 1/4,096 Conversion period: 100 ms/4 pts	Variable range setting Output scaling ($\pm 32,000$) Process value alarms (HH, H, L, LL) Rate-of-change calculation and alarm In-put disconnection alarm
Isolated-type Resistance Thermometer Input Unit (Ni508.4 Ω)	CS1W-PTS03	4 inputs	All inputs are isolated.	Ni508.4 Ω	Standard accuracy: $\pm 0.2\%$ or $\pm 0.2^\circ\text{C}$, whichever is larger Temperature coefficient: $\pm 0.015\%/^\circ\text{C}$ Resolution: 1/4,096 Conversion period: 100 ms/4 pts	Variable range setting Output scaling ($\pm 32,000$) Process value alarms (HH, H, L, LL) Rate-of-change calculation and alarm Input disconnection detection
Isolated-type 2-Wire Transmitter Input Unit	CS1W-PTW01	4 inputs	All inputs are isolated.	4 to 20 mA, 1 to 5 V	Standard accuracy: $\pm 0.2\%$ Temp. coefficient: $\pm 0.015\%/^\circ\text{C}$ Resolution: 1/4,096 Conversion period: 100 ms/4 pts	Built-in power supply for 2-wire transmitter Output scaling ($\pm 32,000$) Process value alarms (HH, H, L, LL) Rate-of-change calculation and alarm Square root Input error detection
Isolated-type Analog Input Unit	CS1W-PDC01	4 inputs	All inputs are isolated.	-10 to 10 V, 0 to 10 V, -5 to 5 V, 0 to 5 V, 1 to 5 V, ± 10 V DC variable range, 4 to 20 mA, 0 to 20 mA	Standard accuracy: $\pm 0.1\%$ Temp. coefficient: $\pm 0.015\%/^\circ\text{C}$ Resolution: 1/4,096 Conversion cycle: 100 ms/4 pts	Process value alarms (HH, H, L, LL) Output scaling ($\pm 32,000$) Square root Rate-of-change calculation and alarm Input error detection
Isolated-type Pulse Input Unit	CS1W-PPS01	4 inputs	All inputs are isolated.	Max. counting speed: 20 k pulses/s (voltage input or no-voltage semiconductor input) 20 pulses/s (contact input)	---	Built-in sensor power supply Contact bounce filter Unit pulse conversion Accumulated value output Instantaneous value output and 4 instantaneous value alarms
Isolated-type Analog Output Unit	CS1W-PMV01	4 outputs	All outputs are isolated.	4 to 20 mA, 1 to 5 V	Standard accuracy: $\pm 0.1\%$ (4 to 20 mA) Standard accuracy: $\pm 0.2\%$ (1 to 5 V) Temperature coefficient: $\pm 0.015\%/^\circ\text{C}$ 4,000 (outputs) Conversion period: 100 ms/4 pts	Output disconnection alarm Control output answer input Output rate-of-change limit Output high/low limits
	CS1W-PMV02	4 outputs	All outputs are isolated.	0 to 10 V, ± 10 V, 0 to 5 V, ± 5 V, 0 to 1 V, ± 1 V	Standard accuracy: $\pm 0.1\%$ Temp. coefficient: $\pm 0.015\%/^\circ\text{C}$ Resolution (full scale): ± 10 V, ± 1 V: 1/16,000 0 to 10 V, 0 to 1 V, and ± 5 V: 1/8,000 0 to 5 V: 1/4,000 Conversion period: 40 ms/4 pts	Output rate-of-change limit Output high/low limits Output scaling ($\pm 32,000$)
Power Transducer Input Unit	CS1W-PTR01	8 inputs	Inputs and PLC signals are isolated.	± 1 mA, 0 to 1 mA	Standard accuracy: $\pm 0.2\%$ Temp. coefficient: $\pm 0.015\%/^\circ\text{C}$ Resolution: 1/4,096 Conversion cycle: 200 ms/8 pts	Anti-overshooting at motor startup Process value alarms (H, L) Output scaling ($\pm 32,000$)
Analog Input Unit (100 mV)	CS1W-PTR02	8 inputs	Inputs and PLC signals are isolated.	± 100 mV, 0 to 100 mV	Standard accuracy: $\pm 0.2\%$ Temp. coefficient: $\pm 0.015\%/^\circ\text{C}$ Resolution: 1/4,096 Conversion period: 200 ms/8 pts	Process value alarms (H, L) Output scaling ($\pm 32,000$)

Note: Varies depending on usage conditions. Refer to the *Analog I/O Units User's Manual (W368)* for details.

Overview of Analog I/O Units

Name	Model	Number of I/O	Field I/O isolation	I/O signal ranges	Overall accuracy
Analog Input Unit	CS1W-AD041-V1	4 inputs	Isolated between inputs and PLC signals. No isolation between inputs.	1 to 5 V, 0 to 5 V, 0 to 10 V, -10 to 10 V, 4 to 20 mA	Voltage input: $\pm 0.2\%$ of F.S.: current input $\pm 0.4\%$ of F.S. ($23 \pm 2^\circ\text{C}$) Voltage input: $\pm 0.4\%$ of F.S.: current input $\pm 0.6\%$ of F.S. (0 to 55°C) Resolution: 1/8,000 (See note 1.) Conversion speed: 250 μs /point max. (See note 1.) (Can be used with a resolution of 1/4,000 and conversion speed of 1 ms.)
	CS1W-AD081-V1	8 inputs	Isolated between inputs and PLC signals. No isolation between inputs.	1 to 5 V, 0 to 5 V, 0 to 10 V, -10 to 10 V, 4 to 20 mA	Voltage input: $\pm 0.2\%$ of F.S.: current input $\pm 0.4\%$ of F.S. ($23 \pm 2^\circ\text{C}$) Voltage input: $\pm 0.4\%$ of F.S.: current input $\pm 0.6\%$ of F.S. (0 to 55°C) Resolution: 1/8,000 (See note 1.) Conversion speed: 250 μs /point max. (See note 1.) (Can be used with a resolution of 1/4,000 and conversion speed of 1 ms.)
	CS1W-AD161 (See note 2.) 	16 inputs	Isolated between inputs and PLC signals. No isolation between inputs.	1 to 5 V, 0 to 5 V, 0 to 10 V, -10 to 10 V, 4 to 20 mA	Voltage input: $\pm 0.2\%$ of F.S.: current input $\pm 0.2\%$ of F.S. ($23 \pm 2^\circ\text{C}$) Voltage input: $\pm 0.4\%$ of F.S.: current input $\pm 0.4\%$ of F.S. (0 to 55°C) Resolution: 1/8,000 (See note 1.) Conversion speed: 250 μs /point max. (See note 1.) (Can be used with a resolution of 1/4,000 and conversion speed of 1 ms.)
Analog Output Unit	CS1W-DA041	4 outputs	Isolated between inputs and PLC signals. No isolation between inputs.	1 to 5 V, 0 to 5 V, 0 to 10 V, -10 to 10 V, 4 to 20 mA	Voltage output: $\pm 0.3\%$ of F.S.: current output $\pm 0.5\%$ of F.S. ($23 \pm 2^\circ\text{C}$) Voltage output: $\pm 0.5\%$ of F.S.: current output $\pm 0.8\%$ of F.S. (0 to 55°C) Resolution: 1/4,000 Conversion speed: 1 ms/point max.
	CS1W-DA08V	8 outputs	Isolated between inputs and PLC signals. No isolation between inputs.	1 to 5 V, 0 to 5 V, 0 to 10 V, -10 to 10 V	$\pm 0.3\%$ of F.S. ($23 \pm 2^\circ\text{C}$) $\pm 0.5\%$ of F.S. (0 to 55°C) Resolution: 1/4,000 Conversion speed: 1 ms/point max.
	CS1W-DA08C	8 outputs	Isolated between inputs and PLC signals. No isolation between inputs.	4 to 20 mA	$\pm 0.5\%$ of F.S. ($23 \pm 2^\circ\text{C}$) $\pm 0.8\%$ of F.S. (0 to 55°C) Resolution: 1/4,000 Conversion speed: 1 ms/point max.
Analog I/O Unit	CS1W-MAD44	4 inputs 4 outputs	Isolated between inputs and PLC signals. No isolation between inputs.	Input: 1 to 5 V, 0 to 5 V, 0 to 10 V, -10 to 10 V, 4 to 20 mA Output: 1 to 5 V, 0 to 5 V, 0 to 10 V, -10 to 10 V	Voltage input: $\pm 0.2\%$ of F.S.: current input $\pm 0.4\%$ of F.S. ($23 \pm 2^\circ\text{C}$) Voltage input: $\pm 0.4\%$ of F.S.: current input $\pm 0.6\%$ of F.S. (0 to 55°C) Output: $\pm 0.3\%$ of F.S. ($23 \pm 2^\circ\text{C}$) Output: $\pm 0.5\%$ of F.S. (0 to 55°C) I/O resolution: 1/4,000 Conversion speed: 1 ms/point max.

Note: 1. The resolution and conversion speed can be switched with a DM setting.

If it isn't necessary to change the setting, the Unit can be used with the earlier model's mode (resolution of 1/4,000 and conversion speed of 1 ms) just like the conventional model.

2. Use the OMRON XW2D-34G6 Connector-Terminal Block Conversion Unit and XW2Z-200C Connecting Cable to wire inputs.

Analog I/O Units

Common Specifications for Process and Standard Analog I/O Units

Common Specifications for Process and Standard Analog I/O Units

Item	Specifications			
Unit classification	CS-series Special I/O Unit			
Dimensions	35 × 130 × 126 mm (W × H × D)			
Weight	450 g max.			
External connection terminals	CS1W-PTS55/56, PDC55: 24-point detachable terminal block (lever type) CS1W-AD161: MIL connectors (34-pin × 2) Other models: 21-point detachable terminal block (M3 screws, with tightening torque of 0.5 N·m)			
Unit number switch	00 to 95			
Self-diagnostic function	Results shown by LED indicators.			
Mounting position	CS-series CPU Rack or CS-series Expansion Rack			
Internal current consumption	Confirm that the total current consumption of all the Units (including the CPU Unit) mounted to a single CPU Rack or Expansion Rack does not exceed the maximum power supplied by the Power Supply Unit.			
	Name	Model	Current consumption (power)	
			5 V	26 V
Isolated-type Thermocouple Input Unit		CS1W-PTS01-V1	0.15 A (0.75 W)	0.15 A (3.9 W)
		CS1W-PTS11	0.12 A (0.6 W)	0.08 A (2.08 W)
		CS1W-PTS51	0.25 A (1.25 W)	Unused.
		CS1W-PTS55	0.18 A (0.9 W)	0.06 A (1.56 W)
Isolated-type Resistance Thermometer Input Unit (Pt100, JPt100)		CS1W-PTS02	0.15 A (0.75 W)	0.15 A (3.9 W)
Isolated-type Resistance Thermometer Input Unit (Ni508.4 Ω)		CS1W-PTS03	0.15 A (0.75 W)	0.15 A (3.9 W)
Isolated-type Resistance Thermometer Input Unit (Pt100, JPt100, Ni508.4 Ω)		CS1W-PTS12	0.12 A (0.6 W)	0.07 A (1.82 W)
Isolated-type Resistance Thermometer Input Unit (Pt100, JPt100)		CS1W-PTS52	0.25 A (1.25 W)	Unused.
		CS1W-PTS56	0.18 A (0.9 W)	0.06 A (1.56 W)
Isolated-type 2-Wire Transmitter Input Unit		CS1W-PW01	0.15 A (0.75 W)	0.16 A (4.2 W)
Isolated-type DC Input Unit		CS1W-PDC01	0.15 A (0.75 W)	0.15 A (3.9 W)
		CS1W-PDC11	0.12 A (0.6 W)	0.12 A (3.12 W)
		CS1W-PDC55	0.18 A (0.9 W)	0.06 A (1.56 W)
Power Transducer Input Unit		CS1W-PTR01	0.15 A (0.75 W)	0.08 A (2.1 W)
Analog Input Unit (100 mV)		CS1W-PTR02	0.15 A (0.75 W)	0.08 A (2.1 W)
Isolated-type Pulse Input Unit		CS1W-PPS01	0.20 A (1.0 W)	0.16 A (4.2 W)
Isolated-type Analog Output Units		CS1W-PMV01	0.15 A (0.75 W)	0.16 A (4.2 W)
		CS1W-PMV02	0.12 A (0.6 W)	0.12 A (3.2 W)
Analog Input Units		CS1W-AD041-V1	0.12 A (0.6 W)	0.09 A (2.34 W)
		CS1W-AD081-V1		
		CS1W-AD161	0.15 A (0.75 W)	0.06 A (1.56 W)
Analog Output Units		CS1W-DA041	0.13 A (0.65 W)	0.18 A (4.68 W)
		CS1W-DA08V		
		CS1W-DA08C		0.25 A (6.5 W)
Analog I/O Unit		CS1W-MAD44	0.2 A (1.0 W)	0.2 A (5.2 W)
(Reference) Maximum current and total power supplied				
Power Supply Unit	Maximum current supplied (power)			Maximum total power
	5 V	26 V	24 V	
C200HW-PA204	4.6 A (23 W)	0.6 A (15.6 W)	None	30 W
C200HW-PA204S			0.8 A (19.2 W)	
C200HW-PA204R			None	
C200HW-PD024			None	
C200HW-PD025	5.3 A (26.5 W)	1.3 A (33.8 W)		40 W
C200HW-PA209R	9 A (45 W)	1.3 A (33.8 W)		45 W
CS1D-PA207R	7 A (35 W)	1.3 A (33.8 W)		35 W
CS1D-PD024	4.3 A (21.5 W)	0.56 A (14.6 W)		28 W
CS1D-PD025	5.3 A (26.5 W)	1.3 A (33.8 W)		40 W
Ambient operating temperature	0 to 55°C			

Note: Process Analog I/O Units can be used even if a Loop Control Board or Loop Control Unit is not used.

Utility Software

Touch Panel Software

■ Face Plate Auto-Builder for NS

Simply specify the CSV tag file created using the CX-Process Tool to automatically create a project constructed with a Face Plate for Loop-control CPU Units for use with OMRON's NS-series Programmable Terminals.

Function Overview

- Create windows for monitoring and tuning PID and other function blocks for up to 100 loops (NS System version 4 or higher).
- NS project files for monitoring multiple Loop-control CPU Units from a single NS-series PT can be generated from CX-Process projects for up to 32 multiple nodes.
- When a Segment Program 2 function block is used for program operation, the Detailed Setting Windows (Time Interval vs. Output Value Setting Window, Wait Interval Setting Window) used for the parameter settings are also automatically generated.

Basic Specifications

Item	Specifications	
Name	Face Plate Auto-Builder for NS	
Model number	WS02-NSFC1-EV2	
Applicable PLC products	CJ-series Loop-control CPU Units CS-series Loop Control Boards (unit version 1.0 or later) CS-series Loop Control Units (unit version 2.0 or later) CS1D Process-control CPU Units	
Applicable PTs	NS-series NS12, NS10, and NS8 (PT version 2.0 or later) CX-Designer	
System requirements	Computer	IBM PC/AT or compatible
	CPU	Celeron 400 MHz or better recommended
	OS	Microsoft Windows 98SE, Me, NT4.0 (Service Pack 6a), 2000 (Service Pack 3 or higher), or XP
	Memory	Recommended: 32 Mbytes min.
	Hard disk storage	Recommended: 200 Mbytes free space min.
System requirements	Monitor	Minimum: 640 x 480 dots
	Basic functions	Number of generated loops: 100 max., control windows and tuning windows Applicable face plates: 2-position ON/OFF, 3-position ON/OFF, Basic PID, Advanced PID, Indication and Operation, Indicator, Segment Program 2 (includes the parameter setting windows) Number of loops in control windows: 6 loops per window for NS12, 4 loops per window for NS10/NS8 Realtime trend in tuning window: 1-second cycle

Example of Automatically Created Windows

The image shows three examples of automatically created windows:

- Basic PID Block Screen:** A vertical control panel for a PID loop. It includes:
 - Tag No. and Tag comment (temp1)
 - Status display 1 (AUTO, MAN, CAS) and Status display 2 (PV error, MV error)
 - Alarm status indicators (LL, L, H, HH)
 - PV bar display and PV numerical value display
 - SP bar display and SP numerical value display/input
 - Unit display and Unit display
 - CAS button/display
 - Up/Down buttons to change SP
 - Alarm set value display
 - MV indicator and MV bar display
 - Up/Down buttons to change MV
 - AUTO button/display and MAN button/display
 - MV numerical value display/input
- Tuning Window:** A window for PID tuning. It includes:
 - Switch status
 - Realtime trend display
 - Alarm setting and Parameter settings
 - Function Block Face Plate
- Segment program details setting window:** A window for setting parameters. It includes:
 - Write/read setting data
 - Time interval, output value, and unit for each step
 - Setting confirmation graph (horizontal axis shows steps)

Related Products

SYSMAC SPU Units (Storage and Processing Units)

Device/machine process data, operation data, and inspection data can be collected at high speed, in large volume, and reliably from the CPU Unit and automatically saved as a CSV file in an external storage device.

■ Function Overview

- Data can be automatically sampled without using a ladder program. Data can be collected simply by installing the SPU Unit on a Rack that is already operating and recreating I/O tables.
- Large-volume data can be collected at intervals set in seconds and high-speed sampling can be performed at intervals of a few milliseconds (5 ms max.; see note).
- Data collection can be performed for events, such as when a bit or word reaches a specified value or a specified time arrives.
- Data collected in specified PLC data types, such as boolean or integer, can be flexibly converted to different formats when creating files.
- The WS02-EDMC1 Data Management Middleware can be used to easily transfer collected data from the SYSMAC SPU Unit to a computer.

Note: For 25 collection points.

■ Specifications

Item		Specifications
Model number		CS1W-SPU01/02
Applicable PLC products		CS Series
Unit classification		CPU Bus Unit
Unit number		0 to F
Mounting location		CPU Rack, CS-series Expansion Rack (Cannot be mounted to C200H Expansion I/O Racks or SYSMAC BUS Remote I/O Slave Racks.)
Number of Units per PLC		16 Units max.
Interfaces	PC card slot	PC card Type II, 1 slot (Conforms to PC Card Standard Release 8.0.), used by external storage device (See note.) Note: Memory Card: OMRON's HMCEF□□□ Memory Card and HMC-AP001 Memory Card Adapter required).

■ Function

Sampling function

Item	Specifications	
Functions	<ul style="list-style-type: none"> • Sampling • Saving files • Network communications 	
Sampling methods	Applicable I/O memory areas in CPU Unit	CIO Area, Work Area, Holding Area, Auxiliary Area, DM Area, EM Area banks 0 to C

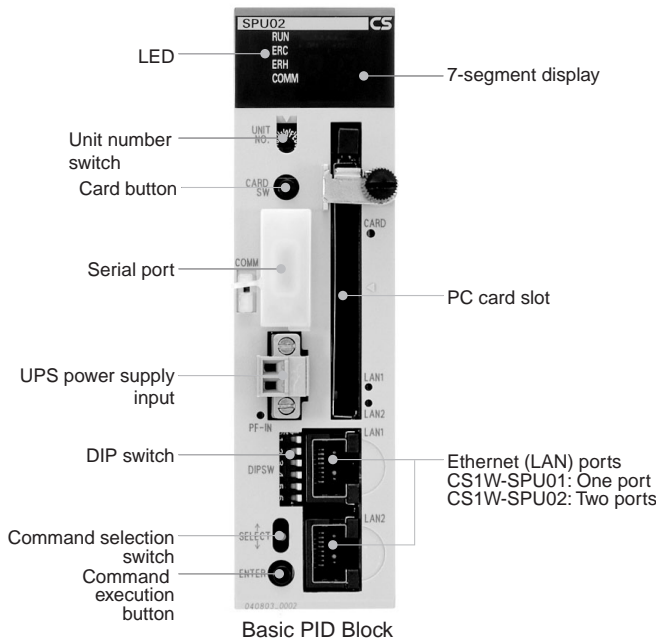
Saving Files

Item	Specifications	
Collected data file format	CSV files	Indices (record number), time stamps (hh:mm:ss), ns, sampling indices (serial numbers starting at 0 when sampling is started), data for each tag delimited with comma, records delimited with carriage returns.
	Records	
Number of samples (period during which sampling results are saved in files)	Number of records or sampling period specified. <ul style="list-style-type: none"> • Number of records: • Sampling period: 	
File size	2 GB max.	
Record size	User-specified: 1 onwards	
Number of records	User-specified: 1 onwards	
Saving method	Selection of either saving all data to a single file or separating data into multiple files.	

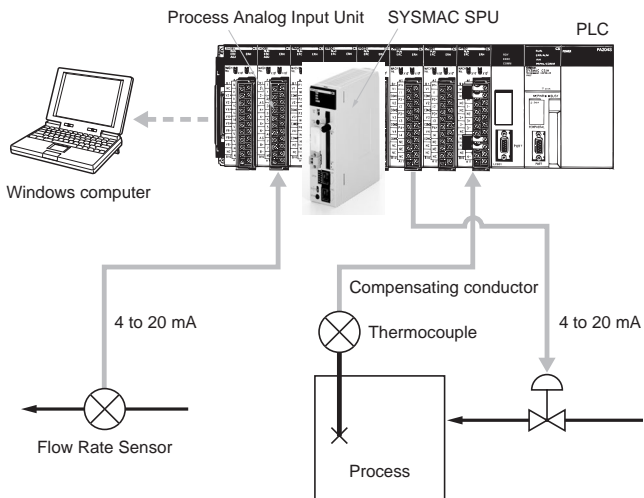
Related Products

SYSMAC SPU Units (Storage and Processing Units)

Part Names



System configuration example



Note: Refer to the SYSMAC SPU Unit Catalog (Cat. No. V301) for details on the SYSMAC CS-series SPU Unit.

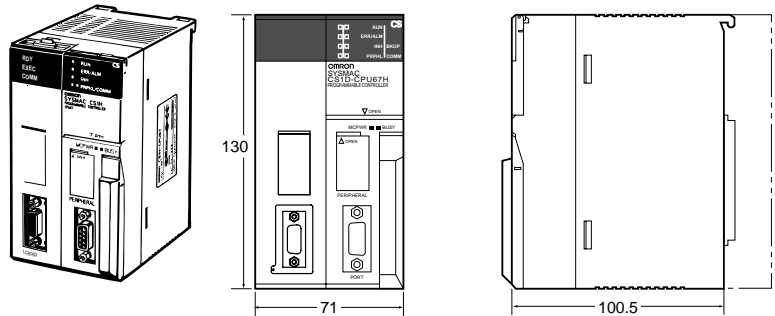
Dimensions

Dimensions

CPU Units

■ CS1D Process-control CPU Units (Unit: mm)

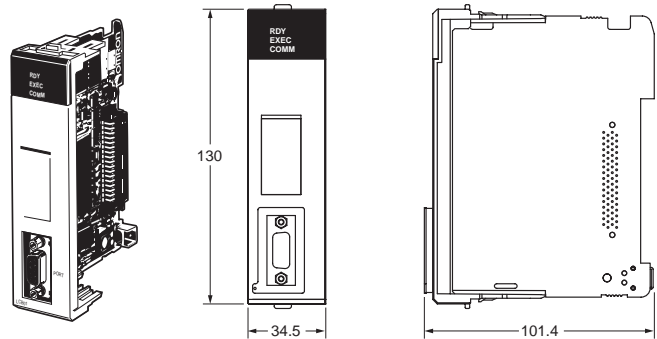
CS1D-CPU65P
CS1D-CPU67P



Inner Boards

■ Loop Control Boards (Unit: mm)

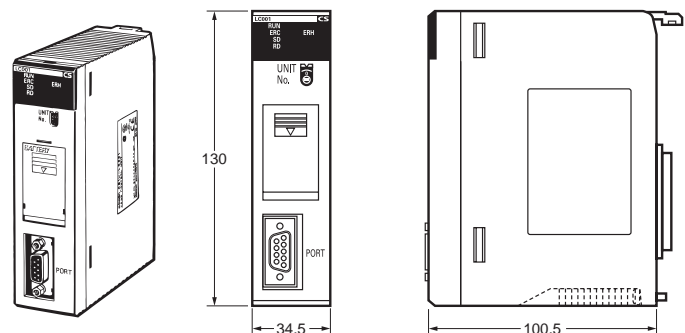
CS1W-LCB01
CS1W-LCB05



CPU Bus Units

■ Loop Control Unit (Unit: mm)

CS1W-LC001



Dimensions

Special I/O Units

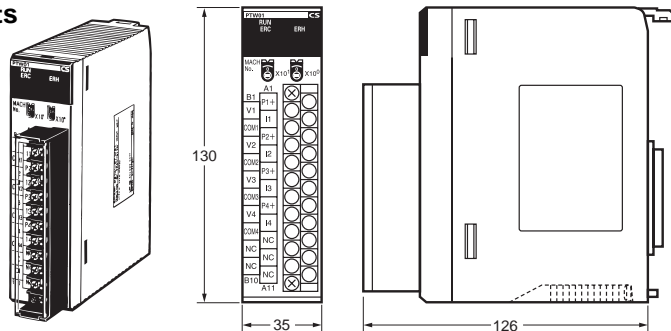
■ Analog I/O Units (Unit: mm)

Process Analog I/O Units

- CS1W-PTS11
- CS1W-PTS12
- CS1W-PDC11
- CS1W-PTS51
- CS1W-PTS52
- CS1W-PTS55
- CS1W-PTS56
- CS1W-PTS01-V1
- CS1W-PTS02
- CS1W-PTS03
- CS1W-PTW01
- CS1W-PDC01
- CS1W-PDC55
- CS1W-PPS01
- CS1W-PMV01
- CS1W-PMV02
- CS1W-PTR01
- CS1W-PTR02

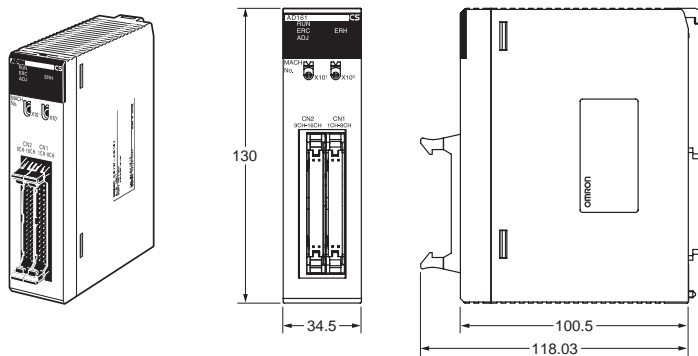
Standard Analog I/O Units

- CS1W-AD041-V1
- CS1W-AD081-V1
- CS1W-DA041
- CS1W-DA08V
- CS1W-DA08C



Analog Input Units

- CS1W-AD161



Ordering Information

Selection Guide	33
Basic PLC Components	34
CS1D Duplex Systems	35
Loop Control Boards and Loop Control Units	36
Process Analog I/O Units	36
Standard Analog I/O Units	36
Connector-Terminal Block Conversion Unit and Connecting Cable for CS1W-AD161	37
SYSMAC SPU Units (Storage and Processing Units) ...	37
Basic I/O Units	37
CPU Bus Units (Network Units)	38
Support Software and Connecting Cables	39
RSView32	40
NS-series Programmable Terminals	40
Utility Software	42
Middleware	42

International Standards

- The standards indicated in the “Standards” column are those current for UL, CSA, cULus, cUL, NK, and Lloyd standards and EC Directives as of the end of September 2004. The standards are abbreviated as follows: U: UL, U1: UL Class I Division 2 Products for Hazardous Locations, C: CSA, UC: cULus, UC1: cULus Class I Division 2 Products for Hazardous Locations, CU: cUL, N: NK, L: Lloyd, and CE: EC Directives.
- Ask your OMRON representative for the conditions under which the standards were met.

■ EC Directives

The EC Directives applicable to PLCs include the EMC Directives and the Low Voltage Directive. OMRON complies with these directives as described below.

EMC Directives

Applicable Standards

EMI:EN61000-6-4

EMS:EN61131-2 and EN61000-6-2 (See note.)

PLCs are electrical devices that are incorporated in machines and manufacturing installations. OMRON PLCs conform to the related EMC standards so that the devices and machines into which they are built can more easily conform to EMC standards. The actual PLCs have been checked for conformity to EMC standards. Whether these standards are satisfied for the actual system, however, must be checked by the customer.

EMC-related performance will vary depending on the configuration, wiring, and other conditions of the equipment or control panel in which the PLC is installed. The customer must, therefore, perform final checks to confirm that the overall machine or device conforms to EMC standards.

Note: The applicable EMI standard depends on the product.

Low Voltage Directive

Applicable Standard

EN61131-2

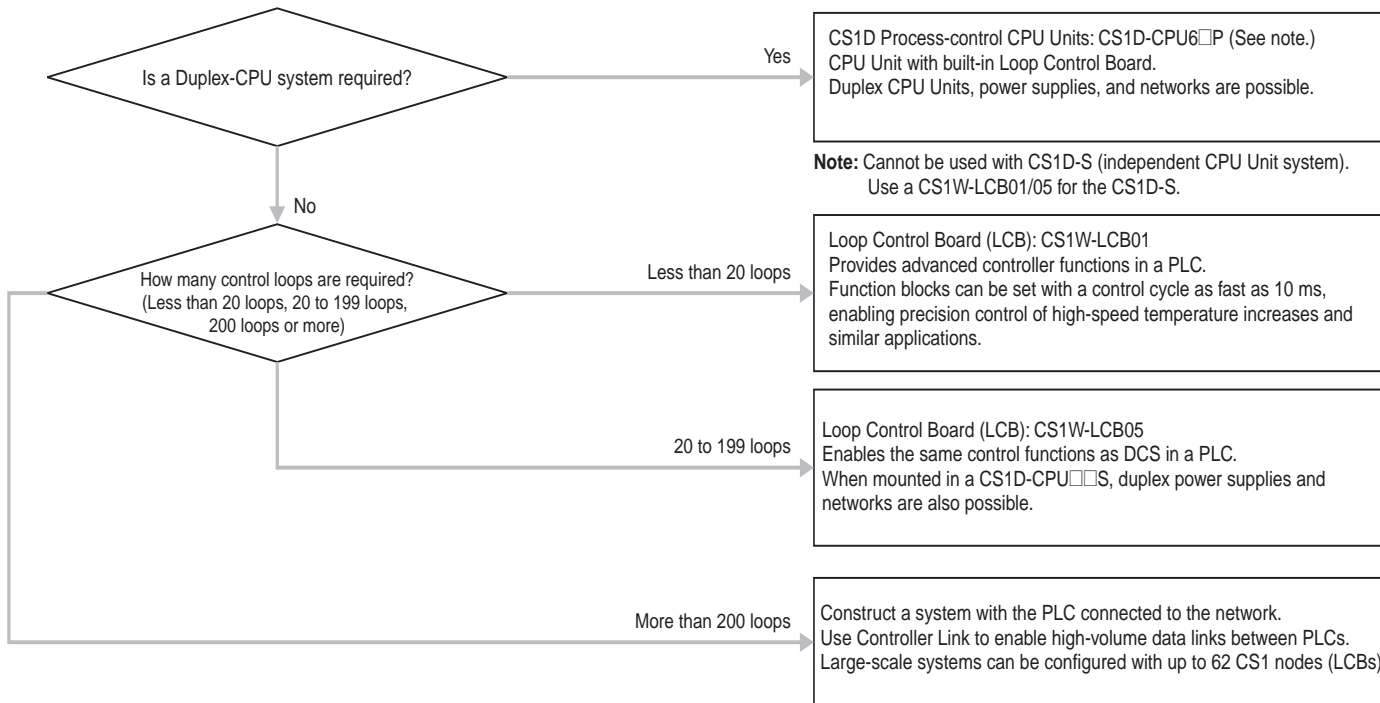
Devices that operate at voltages from 50 to 1,000 VAC or 75 to 150 VDC must satisfy the appropriate safety requirements. With PLCs, this applies to Power Supply Units and I/O Units that operate in these voltage ranges.

These Units have been designed to conform to EN61131-2, which is the applicable standard for PLCs.

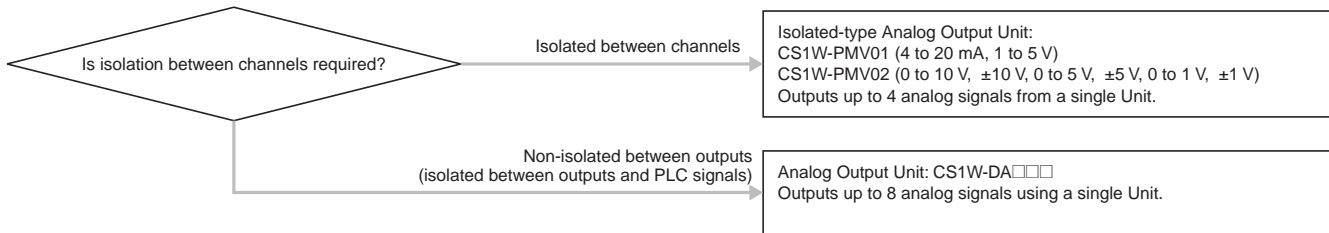
Ordering Information

Selection Guide







■ Process Control



■ Analog Output



Basic PLC Components

Name	Specifications			Model	Standards
 CPU Units	I/O bits	Program capacity	Data memory capacity	---	---
				5,120	250K steps
	5,120	120K steps	256K words (DM: 32K words, EM: 32K words ×7 banks)	CS1H-CPU66H	
	5,120	60K steps	128K words (DM: 32K words, EM: 32K words ×3 banks)	CS1H-CPU65H	
	5,120	30K steps	64K words (DM: 32K words, EM: 32K words ×1 bank)	CS1H-CPU64H	
	5,120	20K steps	64K words (DM: 32K words, EM: 32K words ×1 bank)	CS1H-CPU63H	
	5,120	60K steps	128K words (DM: 32K words, EM: 32K words ×3 banks)	CS1G-CPU45H	
	1,280	30K steps	64K words (DM: 32K words, EM: 32K words ×1 bank)	CS1G-CPU44H	
	960	20K steps	64K words (DM: 32K words, EM: 32K words ×1 bank)	CS1G-CPU43H	
	960	10K steps	64K words (DM: 32K words, EM: 32K words ×1 bank)	CS1G-CPU42H	
 CPU Backplanes	2 slots (Does not connect to Expansion Rack.)			CS1W-BC023	U, C, N, L, CE
	3 slots			CS1W-BC033	
	5 slots			CS1W-BC053	
	8 slots			CS1W-BC083	
	10 slots			CS1W-BC103	
 Power Supply Units	100 to 120 V AC or 200 to 240 V AC, Output capacity: 4.6 A, 5 V DC, 0.625 A, 26 V DC, Total: 30 W max.			C200HW-PA204	U, C, N, L, CE
	100 to 120 V AC or 200 to 240 V AC (with 0.8 A 24 V DC service power supply) Output capacity: 4.6 A, 5 V DC, 0.625 A, 26 V DC, Total: 30 W max.			C200HW-PA204S	
	100 to 120 V AC or 200 to 240 V AC (with RUN output) Output capacity: 4.6 A, 5 V DC, 0.625 A, 26 V DC, Total: 30 W max.			C200HW-PA204R	U, C
	100 to 120 V AC or 200 to 240 V AC (with RUN output) Output capacity: 9 A, 5 VDC, 1.3 A, 26 V DC, Total: 45 W max.			C200HW-PA209R	U, C, N, L, CE
	24 V DC, Output capacity: 4.6 A, 5 V DC, 0.625 A, 26 V DC, Total: 30 W max.			C200HW-PD024	UC1, N, L, CE
	24 V DC, Output capacity: 5.3 A, 5 V DC, 1.3 A, 26 V DC, Total: 40 W max.			C200HW-PD025	UC1, N, L, CE
	100 V DC, Output capacity: 6 A, 5 V DC, 1.0 A, 26 V DC, Total: 30 W max.			C200HW-PD106R	UC
 Memory Cards	Flash memory, 30 MB			HMC-EF372	L, CE
	Flash memory, 64 MB			HMC-EF672	
	Memory Card Adapter (for computer PCMCIA slot)			HMC-AP001	CE
Serial Communications Boards	2 × RS-232C ports, protocol macro function			CS1W-SCB21-V1	U, C, N, L, CE
	1 × RS-232C port + 1 × RS-422/485 port, protocol macro function			CS1W-SCB41-V1	
 Programming Consoles	An English Keyboard Sheet (CS1W-KS001-E) is required. Note: Connects to peripheral port on CPU Unit only. (Cannot connect to RS-232C port.)			CQMH1-PRO01-E	U, C, CE
				CQM1-PRO01-E	U, C, N, CE
				C200H-PRO27-E	
Programming Console Key Sheet	For C200H-PRO27 and CQM1-PRO01			CS1W-KS001-E	CE
 Programming Console Connecting Cables	Connects the CQM1-PRO01-E Programming Console. (Length: 0.05 m)			CS1W-CN114	
	Connects the C200H-PRO27-E Programming Console. (Length: 2.0 m)			CS1W-CN224	
	Connects the C200H-PRO27-E Programming Console. (Length: 6.0 m)			CS1W-CN624	

Ordering Information

Name	Specifications	Model	Standards
Connector Cover	Protects unused Backplane connectors (Power Supply Unit connectors)	C500-COV01	---
	Protects unused Backplane connectors (I/O Unit connectors)	CV500-COV01	
Space Unit	For unused I/O slot spaces	CS1W-SP001	
	For unused power supply slot spaces (same shape as PA207R)	CS1D-SP001	
	For unused power supply slot spaces (same shape as PA204)	CS1D-SP002	

CS1D Duplex Systems

■ For Duplex-CPU Systems

Name	Specifications			Model	Standards	
CS1D CPU Units (For Duplex-CPU Systems)	I/O bits	Program capacity	Data memory capacity	---	---	
			5,120	60K steps	128K words	CS1D-CPU65H
			250K steps	448K words	CS1D-CPU67H	
CS1D Process-control CPU Units (For Duplex-CPU Systems)	CPU Unit: CS1D-CPU65H Loop Control Board: CS1D-LCB05D, 500 function blocks max.			CS1D-CPU65P	UC1, N, CE	
	CPU Unit: CS1D-CPU67H Loop Control Board: CS1D-LCB05D, 500 function blocks max.			CS1D-CPU67P		
Duplex Unit (For Duplex-CPU Systems)	Unit for Duplex CPU Systems			CS1D-DPL01	UC1, N, L, CE	
CPU Backplane (For Duplex-CPU Systems)	5 slots			CS1D-BC052		
CS1D Power Supply Unit (Used for both Duplex-CPU Systems and Single-CPU Systems)	100 to 120 V AC or 200 to 240 V AC (supports output during operation) Output capacity: 7 A, 5 V DC, 1.3 A, 26 V DC, Total: 35 W max. (Used for both Duplex-CPU Systems and Single-CPU Systems)			CS1D-PA207R		
	24 V DC, Output capacity: 4.3 A, 5 V DC, 0.56 A, 26 V DC, Total: 28 W max. (Used for both Duplex-CPU Systems and Single-CPU Systems)			CS1D-PD024		
	24 V DC, Output capacity: 5.3 A, 5 V DC, 1.3 A, 26 V DC, Total: 40 W max. (Used for both Duplex-CPU Systems and Single-CPU Systems)			CS1D-PD025	N, L	

■ For Single-CPU Systems (See note.)

Name	Specifications			Model	Standards
CS1D CPU Units (for Single-CPU Systems)	I/O bits	Program capacity	Data memory capacity	---	UC1, N, L, CE
			5,120	60K steps	
		250K steps	448K words	CS1D-CPU67S	
	1,280	30K steps	64 K words	CS1D-CPU44S	
	960	10K steps	64 K words	CS1D-CPU42S	
CPU Backplane (for Single-CPU Systems)	8 slots			CS1D-BC082S	
CS1D Power Supply Unit (Used for both Duplex-CPU Systems and Single-CPU Systems)	100 to 120 V AC or 200 to 240 V AC (supports output during operation) Output capacity: 7 A, 5 V DC, 1.3 A, 26 V DC, Total: 35 W max. (Used for both Duplex-CPU Systems and Single-CPU Systems)			CS1D-PA207R	
	24 V DC, Output capacity: 4.3 A, 5 V DC, 0.56 A, 26 V DC, Total: 28 W max. (Used for both Duplex-CPU Systems and Single-CPU Systems)			CS1D-PD024	
	24 V DC, Output capacity: 5.3 A, 5 V DC, 1.3 A, 26 V DC, Total: 40 W max. (Used for both Duplex-CPU Systems and Single-CPU Systems)			CS1D-PD025	N, L

Note: Loop Control Board Unit Ver. 1.5 or later is required when using the Loop Control Board. Do not use a unit version earlier than Unit Ver. 1.5.

■ Expansion Units

Name	Specifications	Model	Standards
I/O Control Unit	For distances exceeding 12 m (50 m max.), equipped with two terminating resistors	CS1W-IC102	U, C, CE
I/O Interface Unit	For distances exceeding 12 m (50 m max.)	CS1W-II102	
Expansion Backplane (supports online replacement) (Used for both Duplex-CPU Systems and Single-CPU Systems)	9 slots	CS1D-BI092	UC1, N, L, CE

Loop Control Boards and Loop Control Units

Unit name	Specifications	Model	Standards
Loop Control Boards	No. of function blocks: 50 blocks max.	CS1W-LCB01	UC1, N, CE
	No. of function blocks: 500 blocks max.	CS1W-LCB05	
Loop Control Unit	No. of control loops: 32 loops max. No. of operations: 249 max.	CS1W-LC001	UC1, N, CE

Note: Use a CS1D-CPU6□P CS1D Process-control CPU Unit (for Duplex-CPU System) when duplex operation is required.
Use the CS1W-LCB0□ Loop Control Board when using a CS1D CPU Unit for a Single-CPU System

Process Analog I/O Units

Name	Specifications	Model	Standards
Isolated-type Thermocouple Input Unit (high-resolution type)	4 inputs, B, E, J, K, L, N, R, S, T, U, WRe5-26, PL II, ±100 mV	CS1W-PTS11	UC1, N, CE
Isolated-type Resistance Thermometer Input Unit (high-resolution type)	4 inputs, Pt100 Ω (JIS, IEC), JPt100 Ω, Pt50 Ω, Ni508.4 Ω	CS1W-PTS12	
Isolated-type DC Input Unit (high-resolution type)	4 inputs, 4 to 20 mA, 0 to 20 mA, 0 to 10 V, ±10 V, 0 to 5 V, ±5 V, 1 to 5 V, 0 to 1.25 V, ±1.25 V	CS1W-PDC11	
Isolated-type Thermocouple Input Unit (economical type)	4 inputs, R, S, K, J, T, L, B	CS1W-PTS51	UC1, CE
	8 inputs, R, S, K, J, T, L, B	CS1W-PTS55	
Isolated-type Resistance Thermometer Input Unit (economical type)	4 inputs, JPt100, Pt100 (JIS, IEC)	CS1W-PTS52	
	8 inputs, JPt100, Pt100 (JIS, IEC)	CS1W-PTS56	
Isolated-type Analog Input Unit (economical type)	8 inputs, 4 to 20 mA, 0 to 10 V, 0 to 5 V, 1 to 5 V	CS1W-PDC55	
Isolated-type Thermocouple Input Unit	4 inputs, B, E, J, K, N, R, S, T; ±80 mV	CS1W-PTS01-V1	
Isolated-type Resistance Thermometer Input Unit	4 inputs, Pt100, JPt100	CS1W-PTS02	
Isolated-type Resistance Thermometer Input Unit (Ni508.4 Ω)	4 inputs, Ni508.4 Ω	CS1W-PTS03	
Isolated-type 2-Wire Transmitter Input Unit	4 inputs, 4 to 20 mA, 1 to 5 V	CS1W-PTW01	
Isolated-type Analog Input Unit	4 inputs, 4 to 20 mA, 0 to 20 mA, 1 to 5 V, 0 to 5 V, ±5 V, 0 to 10 V, ±10 V	CS1W-PDC01	
Isolated-type Pulse Input Unit	4 inputs	CS1W-PPS01	
Isolated-type Analog Output Unit	4 outputs, 4 to 20 mA, 1 to 5 V	CS1W-PMV01	
	4 outputs, 0 to 10 V, ±10 V, 0 to 5 V, ±5 V, 0 to 1 V, ±1 V	CS1W-PMV02	
Power Transducer Input Unit	8 inputs, 0 to 1 mA, ±1 mA	CS1W-PTR01	
Analog Input Unit (100 mV)	8 inputs, 0 to 100 mV, ±100 mV	CS1W-PTR02	

Standard Analog I/O Units

Name	Specifications	Model	Standards
Analog Input Units	4 inputs (1 to 5 V, 0 to 5 V, 0 to 10 V, -10 to 10 V, 4 to 20 mA), Resolution: 1/8,000 (See note.)	CS1W-AD041-V1	UC1, N, L, CE
	8 inputs (1 to 5 V, 0 to 5 V, 0 to 10 V, -10 to 10 V, 4 to 20 mA), Resolution: 1/8,000 (See note.)	CS1W-AD081-V1	
	16 inputs (1 to 5 V, 0 to 5 V, 0 to 10 V, -10 to 10 V, 4 to 20 mA), Resolution: 1/8,000 (See note.)	CS1W-AD161	UC1, CE
Analog Output Units	4 outputs (1 to 5 V, 0 to 5 V, 0 to 10 V, -10 to 10 V, 4 to 20 mA), Resolution: 1/4,000	CS1W-DA041	UC1, N, CE
	8 outputs (1 to 5 V, 0 to 5 V, 0 to 10 V, -10 to 10 V), Resolution: 1/4,000	CS1W-DA08V	U, C, N, CE
	8 outputs (4 to 20 mA), Resolution: 1/4,000	CS1W-DA08C	
Analog I/O Unit	4 inputs (1 to 5 V, 0 to 5 V, 0 to 10 V, -10 to 10 V, 4 to 20 mA), Resolution: 1/4,000	CS1W-MAD44	U, C, N, L, CE
	4 outputs (1 to 5 V, 0 to 5 V, 0 to 10 V, -10 to 10 V), Resolution: 1/4,000		

Note: Resolution: 1/4,000 is also possible.

Ordering Information

Connector-Terminal Block Conversion Unit and Connecting Cable for CS1W-AD161

Connector-Terminal Block Conversion Unit and Connecting Cable for CS1W-AD161

Name	Specifications	Model	Standards
Connector-Terminal Block Conversion Unit	34 terminal, dimensions: 128 × 40 × 39 mm	XW2D-34G6	---
Connector-Terminal Block Conversion Unit Connecting Cable	Length: 2 m	XW2Z-200C	

SYSMAC SPU Units (Storage and Processing Units)

Name	Specifications	Model	Standards
SYSMAC SPU Unit	One Ethernet port, one PC card slot	CS1W-SPU01	UC1, CE
	Two Ethernet ports, one PC card slot	CS1W-SPU02	
SPU Basic Software (See note 1.)	SPU Unit Setting Software	WS02-SPTC1-V1	---
Memory Cards	30-MB compact flash card	HMC-EF372	L, CE
	64-MB compact flash card	HMC-EF672	
	256-MB compact flash card	HMC-EF282	CE
	512-MB compact flash card	HMC-EF582	
Memory Card Adapter (See note 2.)	For PC card slot	HMC-AP001	CE
Ethernet Cross Cables	2-m cable (made by corega KK)	CG-UTP02WXA	---
	3-m cable (made by corega KK)	CG-UTP03WXA	

- Note:** 1. Required for data collection settings.
 2. Required to install the Memory Card in the SPU Unit.

Basic I/O Units

Classification	Name	Specifications	Model	Standards
Input Units	DC Input Units	24 V DC, 16 inputs, 7 mA	CS1W-ID211	UC1, N, CE
		24 V DC, 32 inputs, 6 mA	CS1W-ID231	
		24 V DC, 64 inputs, 6 mA	CS1W-ID261	
		24 V DC, 96 inputs, approx. 5 mA	CS1W-ID291	
	AC Input Units	100 to 120 V AC, 100 to 120 V DC, 16 inputs	CS1W-IA111	UC1, N, CE
		200 to 240 V AC, 16 inputs	CS1W-IA211	UC, N, CE
	Interrupt Input Unit	24 V DC, 16 inputs, 7 mA	CS1W-INT01	UC1, N, CE
	High-speed Input Unit	24 V DC, 16 inputs, 7 mA	CS1W-IDP01	
Output Units	Relay Output Units	250 V AC, 2 A max.; 24 VDC, 2 A max.; 120 V DC, 0.1 A max.; independent contacts, 8 outputs	CS1W-OC201	UC1, N, CE
		250 V AC, 2 A max.; 24 VDC, 2 A max.; 120 V DC, 0.1 A max.; 16 outputs	CS1W-OC211	
	Transistor Output Units	12 to 24 V DC, 0.5 A, 16sinking outputs	CS1W-OD211	UC1, N, CE
		24 V DC, 0.5A, 16sourcing outputs (load short-circuit protection, with alarm)	CS1W-OD212	U, C, N, CE
		12 to 24 V DC, 0.5 A, 32sinking outputs	CS1W-OD231	UC1, N, CE
		24 V DC, 0.5 A, 32 sourcing outputs (load short-circuit protection, with alarm)	CS1W-OD232	U, C, N, CE
		12 to 24 V DC, 0.3 A, 64 sinking outputs	CS1W-OD261	UC1, N, CE
		24 V DC, 0.3 A, 64 sourcing outputs (load short-circuit protection, with alarm)	CS1W-OD262	
		12 to 24 V DC, 0.1 A, 96 sinking outputs	CS1W-OD291	U, C, N, L, CE
	12 to 24 V DC, 0.1 A, 96 sourcing outputs	CS1W-OD292		
	Triac Output Units	250 V AC, 1.2 A, 8 outputs	CS1W-OA201	UC, N, CE
250 V AC, 0.5 A, 16 outputs		CS1W-OA211		

Ordering Information

CPU Bus Units (Network Units)

Classification	Name	Specifications	Model	Standards
I/O Units	DC Input/ Transistor Output Units	24 V DC, 6 mA, 32 inputs, 12 to 24 V DC, 0.3 A, 32 sinking outputs	CS1W-MD261	UC1, N, CE
		24 V DC, 6 mA, 32 inputs, 24 V DC, 0.3 A, 32 sourcing outputs (load short-circuit protection, with alarm)	CS1W-MD262	U, C, N, CE
		24 V DC, approx. 5 A, 48 inputs, 12 to 24 V DC, 0.1 A, 48 outputs, sinking inputs/outputs	CS1W-MD291	U, C, N, L, CE
	24 V DC, approx. 5 A, 48 inputs, 12 to 24 V DC, 0.1 A, 48 outputs, sourcing inputs/outputs	CS1W-MD292		
TTL I/O Unit	5 V DC, 32 inputs, 32 outputs	CS1W-MD561	UC, CE	

Note: C200H/C200HW Basic I/O Units can also be mounted.

CPU Bus Units (Network Units)

Name	Specifications	Model	Standards
Controller Link Units	Twisted pair	CS1W-CLK21-V1	UC1, N, L, CE
	Optical ring (H-PCF cable), supports duplex communications	CS1W-CLK12-V1	UC1, CE
	Optical ring (GI cable), supports duplex communications	CS1W-CLK52-V1	
SYSMAC LINK Units	Coaxial cable (5C-2V cable)	CS1W-SLK21	U, C, CE
	Optical cable (H-PCF cable)	CS1W-SLK11	U, C, N, CE
Serial Communications Unit	Two RS-232C Ports	CS1W-SCU21-V1	U, C, N, L, CE
Ethernet Unit	100Base-TX (10Base-T) FINS communications (TCP/IP and UDP/IP format), socket service, FTP server, mail transmission	CS1W-ETN21	UC1, N, L, CE
	100Base-TX (10Base-T), supports duplex communications (FINS communications (TCP/IP, UDP/IP), socket service, FTP server, mail send/receive)	CS1D-ETN21D	
	10Base-5 FINS communications (UDP/IP format), socket service, FTP server, mail notification	CS1W-ETN01	
	10Base-T FINS communications (UDP/IP format), socket service, FTP server, mail notification	CS1W-ETN11	
FL-net Unit	FL-net (OPCN-2), Ver 2, 10Base-5	CS1W-FLN02	UC1, CE
	FL-net (OPCN-2), 100Base-TX	CS1W-FLN22	
DeviceNet Unit	Functions as remote I/O master and/or slave.	CS1W-DRM21-V1	U, C, CE

Ordering Information

Support Software and Connecting Cables

Support Software and Connecting Cables

Name	Specifications	Model	Standards	
CX-One FA Integrated Tool Package Ver. 1.1	1 license	The CX-One is an integrated tool package that provides programming and monitoring software for OMRON PLCs and components. The CX-One runs on any of the following operating systems: Windows 98 SE, Me, NT 4.0 (Service Pack 6a), 2000 (Service Pack 3 or higher), or XP. The following Support Software is included: CX-Programmer version 6.□, CX-Process Tool version 5.□, CX-Simulator version 1.□, CX-Protocol version 1.□, CX-Designer version 1.□, NS Faceplate Auto-Builder version 2.□ Refer to the CX-One Catalog (R134) for details. (See note.)	---	
	3 licenses			
	10 licenses			
	30 licenses			
	50 licenses			
The CX-Programmer, CX-Process Tool, CX-Simulator, CX-Protocol, CX-Designer, and NS Faceplate Auto-Builder can also be ordered individually using the following model numbers.				
CX-Programmer Ver. 6.□	1 license	Windows-based Support Software for ladder programming on Windows 98SE, Me, NT 4.0 (Service Pack 6a), 2000 (Service Pack 3 or higher), or XP	---	
	3 licenses			
	10 licenses			
CX-Process Tool Ver. 5.□	1 license	Programming software for Loop Controller for Windows 98SE, Me, NT4.0 (Service Pack 6a), 2000 (Service Pack 3 or higher), or XP	---	
CX-Simulator Ver. 1.□	1 license	Ladder program simulator for Windows 98SE, Me, NT4.0 (Service Pack 6a), 2000 (Service Pack 3 or higher), or XP	---	
CX-Protocol Ver. 1.□	1 license	Protocol creation software for Windows 98SE, Me, NT4.0 (Service Pack 6a), 2000 (Service Pack 3 or higher), or XP Use with CJ1G/CJ1H CPU Unit version 1.2 or higher, or CJ1M CPU Unit version 1.3 or higher.	---	
CX-Designer Ver. 1.□	1 license	NS-series PT screen creation software for Windows 98SE, Me, NT4.0 (Service Pack 6a), 2000 (Service Pack 3 or higher), or XP CX-Designer version 1.0 or higher includes the Ladder Monitor Software. Note: The Ladder Monitor Software enables monitoring ladder programs in CS/CJ-series CPU Units from an NS-series PT. A Memory Card and Memory Card Adapter (both sold separately) are required.	---	
NS Faceplate Auto-Builder Ver. 2.□	1 license	Software to automatically creates NS-series PT screens for Windows 98SE, Me, NT4.0 (Service Pack 6a), 2000 (Service Pack 3 or higher), or XP	---	
CX-Process Monitor Plus	1 license	Windows-based monitoring software for Loop Controllers for Windows NT 4.0, 2000, or XP	---	
	3 licenses			
	10 licenses			
Peripheral Device Connecting Cables (for peripheral port)	Connects DOS computers, D-Sub 9-pin receptacle (Length: 0.1 m) (Conversion cable to connect RS-232C cable to peripheral port)	CS1W-CN118	CE	
	Peripheral bus or Host Link	Connects DOS computers, D-Sub 9-pin (Length: 2.0 m) Connects DOS computers, D-Sub 9-pin (Length: 6.0 m)		CS1W-CN226 CS1W-CN626
	Peripheral Device Connecting Cables (for RS-232C port)	Peripheral bus or Host Link, antistatic		Connects DOS computers, D-Sub 9-pin (Length: 2.0 m) Connects DOS computers, D-Sub 9-pin (Length: 5.0 m)
Peripheral bus or Host Link		Connects DOS computers, D-Sub 9-pin (Length: 2.0 m) Connects DOS computers, D-Sub 9-pin (Length: 5.0 m)		
		Connects DOS computers, D-Sub 9-pin (Length: 2.0 m) Connects DOS computers, D-Sub 9-pin (Length: 5.0 m)		
USB-Serial Conversion Cable		USB-RS-232C Conversion Cable (Length: 0.5 m) and PC driver (on a CD-ROM disc), Complies with USB Specification 1.1 On personal computer side: USB (A plug connector, male) On PLC side: RS-232C (D-Sub 9-pin, male) Driver: Supported by Windows 98, Me, 2000, or XP	CS1W-CIF31	---

Note: Site licenses are also available for users that need to use the CX-One on many computers. Ask your OMRON representative for details.

This eco label is displayed only on products that satisfy stringent environmental standards established by OMRON.



This ECO label is indicated on products that meet the environmental standards established by OMRON.

RSView32

Name		Specifications	Model number	Standards
Development versions	RSView32 Works 150	Processor: Pentium II, 400 MHz Memory: 128 MB or more OS: Windows 2000, NT, or XP Professional version 4.0 Service Pack 5 or higher. Graphics: SVGA 256 colors min.	4S-9301-2SES2100EPE	---
	RSView32 Works 300		4S-9301-2SES2200EPE	
	RSView32 Works 1500		4S-9301-2SES2300EPE	
	RSView32 Works 5K		4S-9301-2SES2350EPE	
	RSView32 Works 32K		4S-9301-2SES2400EPE	
	RSView32 Works100K		4S-9301-2SES2500EPE	
Runtime versions	RSView32 Runtime 150		4S-9301-2SES3100EPE	
	RSView32 Runtime 300		4S-9301-2SES3200EPE	
	RSView32 Runtime 1500		4S-9301-2SES3300EPE	
	RSView32 Runtime 5 K		4S-9301-2SES3350EPE	
	RSView32 Runtime 32 K		4S-9301-2SES3400EPE	
	RSView32 Runtime 100K	4S-9301-2SES3500EPE		

NS-series Programmable Terminals

Model name	Specifications	Specifications		Model number	Standards
		Ethernet	Case color		
NS12	12-inch TFT, 800 x 800 dots	No	Ivory	NS12-TS00-V2	CU, CE
			Black	NS12-TS00B-V2	
		Yes	Ivory	NS12-TS01-V2	
			Black	NS12-TS01B-V2	
NS10	10-inch TFT, 640 x 480 dots	No	Ivory	NS10-TV00-V2	
			Black	NS10-TV00B-V2	
		Yes	Ivory	NS10-TV01-V2	
			Black	NS10-TV01B-V2	
NS8	8-inch TFT, 640 x 480 dots	No	Ivory	NS8-TV00-V2	
			Black	NS8-TV00B-V2	
		Yes	Ivory	NS8-TV01-V2	
			Black	NS8-TV01B-V2	
NS5	5-inch STN, 320 x 240 dots	No	Ivory	NS5-SQ00-V2	
			Black	NS5-SQ00B-V2	
		Yes	Ivory	NS5-SQ01-V2	
			Black	NS5-SQ01B-V2	
	5-inch TFT, 320 x 240 dots	No	Ivory	NS5-TQ00-V2	
			Black	NS5-TQ00B-V2	
		Yes	Ivory	NS5-TQ01-V2	
			Black	NS5-TQ01B-V2	
	5-inch monochrome, 320 x 240 dots	No	Ivory	NS5-MQ00-V2	
			Black	NS5-MQ00B-V2	
		Yes	Ivory	NS5-MQ01-V2	
			Black	NS5-MQ01B-V2	
NS5 Hand-held	5-inch STN, 320 x 240 dots	No	Black	NSH5-SQR001B-V2	CE, CU (approval pending)

Ordering Information

Model name	Specifications	Model number
Cable (See note 1.)	Screen transfer cable for DOS/V	XW2Z-S002
	USB Host Cable, cable length: 5 m	NS-US52 (5 m)
	USB Host Cable, cable length: 2 m	NS-US22 (2 m)
	USB-RS-232C Conversion Cable, cable length: 0.5 m	CS1W-CIF31
NSH5 Cables	RS-422A cable (loose wires), Cable length: 10 m	NSH5-422CW-10M
	RS-232C cable (loose wires), Cable length: 3 m	NSH5-232CW-3M
	RS-232C cable (loose wires), Cable length: 10 m	NSH5-232CW-10M
PT-to-PLC Connecting Cable	PT connection: 9 pins Length: 2 m	XW2Z-200T
	PLC connection: 9 pins Length: 5 m	XW2Z-500T
NSH5 Wall-mounting Bracket		NSH5-ATT02

- Note:** 1. Use an OMRON USB Host Cable to connect an NS-series PT to a printer.
 2. Site licenses are also available for users that need to use the CX-One on many computers. Ask your OMRON representative for details.

Options

Model name	Specifications	Model number	
RS-422A Adapter	Transmission distance: 500 m total length Note: Use this model when connecting PT models without a V□ suffix. Note: PT models with a suffix of V□ can also be connected.	NS-AL002	
	Transmission distance: 50 m total length Note: Only PT models with a suffix of V□ are connectable. Use the NS-002 to connect models without a V□ suffix.	CJ1W-CIF11	
Sheet/Cover	Anti-reflection Sheets (5 surface sheets)	NS12/10	NS12-KBA04
		NS8	NS7-KBA04
		NS5	NT30-KBA04
	Protective Covers (5 pack) (anti-reflection coating)	NS12/10	NS12-KBA05
		NS8	NS7-KBA05
		NS5	NT31C-KBA05
	Protective Covers (5 covers included) (Transparent)	NS12/10	NS12-KBA05N
		NS8	NS7-KBA05N
		NS5	NT31C-KBA05N

Utility Software

Cable (See note 1.)	Screen transfer cable for DOS/V		XW2Z-S002	---
	USB Host Cable, cable length: 5 m		NS-US52 (5 m)	
	USB Host Cable, cable length: 2 m		NS-US22 (2 m)	
	USB-RS-232C Conversion Cable, cable length: 0.5 m		CS1W-CIF31	
PT-to-PLC Connecting Cable	PT connection: 9 pins	Length: 2 m	XW2Z-200T	
	PLC connection: 9 pins	Length: 5 m	XW2Z-500T	
NSH5 Cables	RS-422A cable (loose wires), Cable length: 10 m		NSH5-422CW-10M	
	RS-232C cable (loose wires), Cable length: 3 m		NSH5-232CW-3M	
	RS-232C cable (loose wires), Cable length: 10 m		NSH5-232CW-10M	
NSH5 Wall-mounting Bracket			NSH5-ATT02	
RS-422A Adapter	Transmission distance: 500 m total length		NS-AL002	
	Note: Use this model when connecting PT models without a V□ suffix. Note: PT models with a suffix of V□ can also be connected.			

Name	Specifications	Model number	Standards
Faceplates for Loop Controllers	ActiveX Controls (for RSView32) OS: Windows 2000 or XP	WS02-LCFC1-EV2	---
SYSMAC OPC Server version 2	OPC Data Access 2.0-compatible local remote server OS: Windows NT4.0, 2000, or XP (FinsGateway version 3 is included)	WS02-OPCC1-E	
Analog I/O Unit Support Software	Setting software for Process and Standard Analog I/O Units: OS: Windows 95, 98, 2000, XP, or NT4.0	WS02-PUTC1-E	

Middleware

Name	Specifications	Model number	Standards
SYSMAC Compolet Version 2003	Software for communications with OMRON PLCs C/CV/CS/CJ-series compatible Multi-network version of FinsGateway Runtime Software OS: Windows 2000 or XP	SCPL-SYSFL-2003E	---
PLC Reporter 32	Host Link version of easy data collection software OS: Windows 98, Me, 2000, or XP	SDKY-95HLK-E97	
	Multi-network version of easy data collection software OS: Windows 98, Me, 2000, or XP	SDKY-95MLT-E97	
FinsGateway Version 2003	Communications middleware OS: Windows 2000, or XP	SFGW-RT-2003E	

Note: Refer to the SYSMAC CS1-series PLC Catalog (Cat. No. P047) for common and general specifications for SYSMAC CS-series Special I/O Units and Basic I/O Units. Refer to the NS-series PT Catalog (Cat. No. V078) for more information on NS-series PTs.

Read and Understand this Catalog

Please read and understand this catalog before purchasing the products. Please consult your OMRON representative if you have any questions or comments.

Warranty and Limitations of Liability

WARRANTY

OMRON's exclusive warranty is that the products are free from defects in materials and workmanship for a period of one year (or other period if specified) from date of sale by OMRON.

OMRON MAKES NO WARRANTY OR REPRESENTATION, EXPRESS OR IMPLIED, REGARDING NON-INFRINGEMENT, MERCHANTABILITY, OR FITNESS FOR PARTICULAR PURPOSE OF THE PRODUCTS. ANY BUYER OR USER ACKNOWLEDGES THAT THE BUYER OR USER ALONE HAS DETERMINED THAT THE PRODUCTS WILL SUITABLY MEET THE REQUIREMENTS OF THEIR INTENDED USE. OMRON DISCLAIMS ALL OTHER WARRANTIES, EXPRESS OR IMPLIED.

LIMITATIONS OF LIABILITY

OMRON SHALL NOT BE RESPONSIBLE FOR SPECIAL, INDIRECT, OR CONSEQUENTIAL DAMAGES, LOSS OF PROFITS, OR COMMERCIAL LOSS IN ANY WAY CONNECTED WITH THE PRODUCTS, WHETHER SUCH CLAIM IS BASED ON CONTRACT, WARRANTY, NEGLIGENCE, OR STRICT LIABILITY.

In no event shall the responsibility of OMRON for any act exceed the individual price of the product on which liability is asserted.

IN NO EVENT SHALL OMRON BE RESPONSIBLE FOR WARRANTY, REPAIR, OR OTHER CLAIMS REGARDING THE PRODUCTS UNLESS OMRON'S ANALYSIS CONFIRMS THAT THE PRODUCTS WERE PROPERLY HANDLED, STORED, INSTALLED, AND MAINTAINED AND NOT SUBJECT TO CONTAMINATION, ABUSE, MISUSE, OR INAPPROPRIATE MODIFICATION OR REPAIR.

Application Considerations

SUITABILITY FOR USE

OMRON shall not be responsible for conformity with any standards, codes, or regulations that apply to the combination of products in the customer's application or use of the products.

Take all necessary steps to determine the suitability of the product for the systems, machines, and equipment with which it will be used.

Know and observe all prohibitions of use applicable to the products.

NEVER USE THE PRODUCTS FOR AN APPLICATION INVOLVING SERIOUS RISK TO LIFE OR PROPERTY WITHOUT ENSURING THAT THE SYSTEM AS A WHOLE HAS BEEN DESIGNED TO ADDRESS THE RISKS, AND THAT THE OMRON PRODUCTS ARE PROPERLY RATED AND INSTALLED FOR THE INTENDED USE WITHIN THE OVERALL EQUIPMENT OR SYSTEM.

PROGRAMMABLE PRODUCTS

OMRON shall not be responsible for the user's programming of a programmable product, or any consequence thereof.

Disclaimers

CHANGE IN SPECIFICATIONS

Product specifications and accessories may be changed at any time based on improvements and other reasons. Consult with your OMRON representative at any time to confirm actual specifications of purchased products.

DIMENSIONS AND WEIGHTS

Dimensions and weights are nominal and are not to be used for manufacturing purposes, even when tolerances are shown.

PERFORMANCE DATA

Performance data given in this catalog is provided as a guide for the user in determining suitability and does not constitute a warranty. It may represent the result of OMRON's test conditions, and the users must correlate it to actual application requirements. Actual performance is subject to the OMRON *Warranty and Limitations of Liability*.