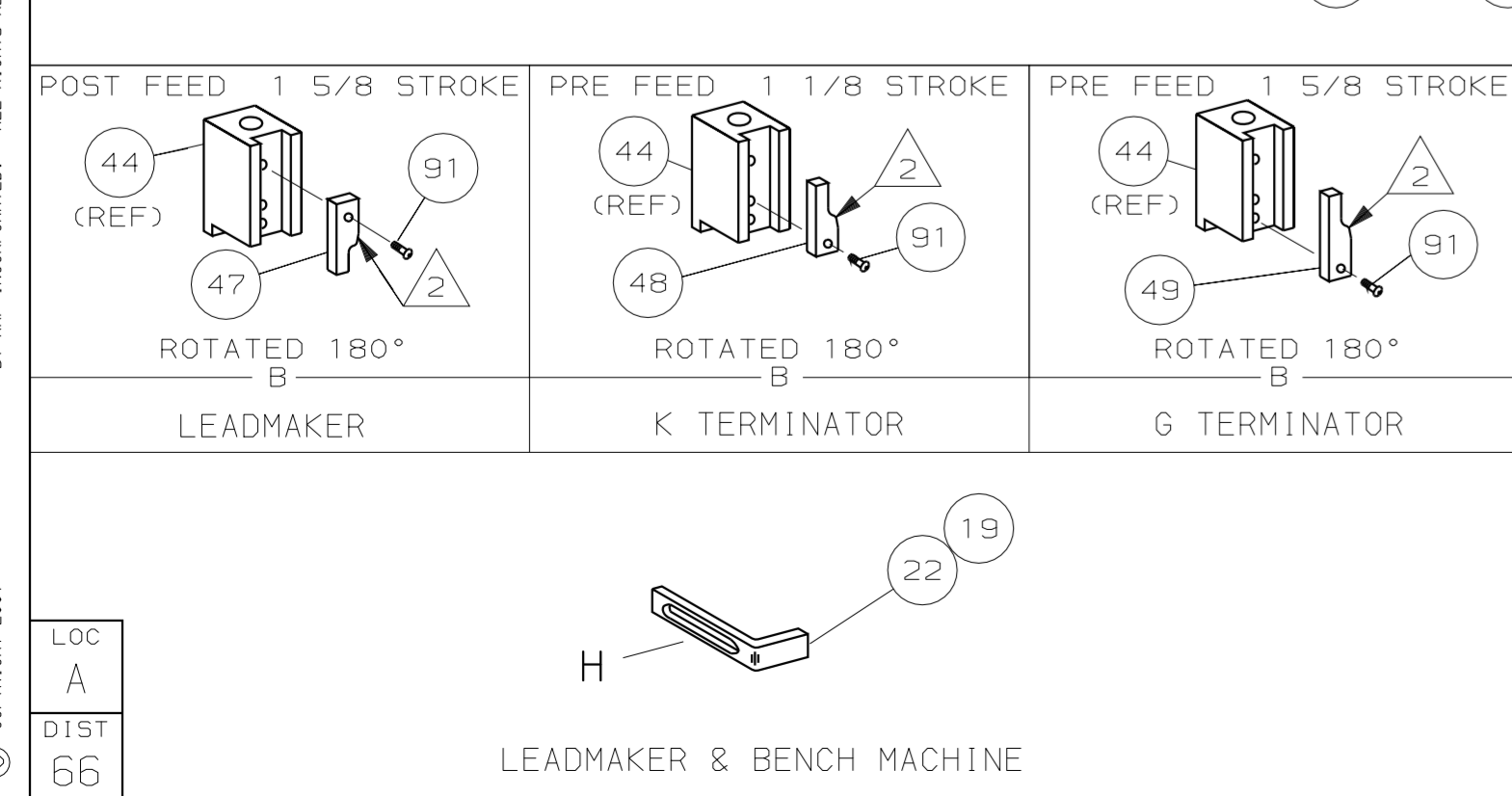
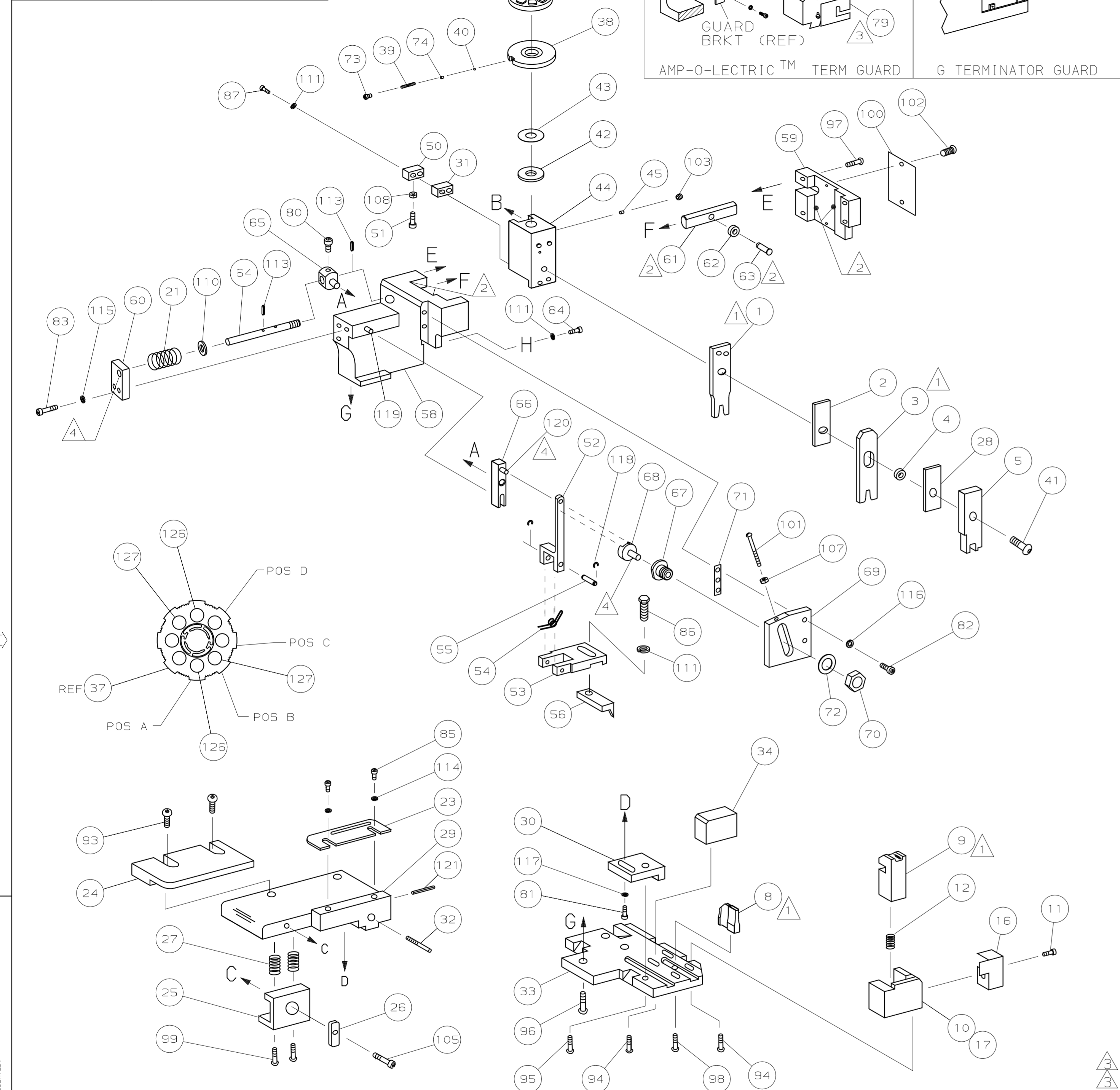


PART NUMBER	REV	FIRST USED
1385315-1	C	122500-1
1385315-2	C	565435-5
1385315-3	C	354500-1
1385315-6	C	NON-CUTTING CARRIER
7-1385315-7	C	SPARE PARTS KIT



- 1 RECOMMENDED SPARE PARTS.
 - 2 GREASE LIGHTLY.
 - 3 GUARD MUST BE IN PLACE WHEN OPERATING APPLICATOR IN A BENCH MACHINE.
 - 4 LUBRICATE DAILY USING NO. 20 MACHINE OIL.
5. ITEMS WITH QTY OF REF SPECIFIED (EXCEPT ITEMS 78 AND 79) ARE USED ON ITEM 46.

TERMINAL NAME: APEX 2.8MM			
AMP PN	MFR PN	FCI TERMINAL	FCI CRIMP SPECS
286999	54001401		
		PAD LTR	CRIMP HEIGHT
		A	.077 ±.002 [1.95 ±0.05mm]
		B	.071 ±.002 [1.8 ±0.05mm]
		C	NOT USED
		D	NOT USED
		CRIMP	SIZE TYPE RANGE
		WIRE	.120 [3.05mm] F 16-14
		INSUL	.140 [3.56mm] 0 .103 MAX
WIRE STRIP LENGTH	TERM APPL SPEC	FEED	APPL INSTRUCTION
-	NONE	.600	408-8040
			SET UP GAGE LAYOUT
			458637-1 L2576

QTY	REF	REF	REF	REF	DESCRIPTION	ITEM NO
129						129
2	2	2	2	2	9-354778-5 PIN, WIRE DISC (.2970)B	127
2	2	2	2	2	8-354778-3 PIN, WIRE DISC (.2910)B	126
1	1	1	1	1	986950-1 WASHER, FLAT PRECISION	125
1	1	1	1	1	217238-1 GENERAL INSTRUCTION PACKAGE	124
1	1	1	1	1	4088040 SF APPL INST 408-8040	123
1	1	1	1	1		122
1	1	1	1	1	4-21028-0 PIN,SLT SPR(φ.093x.75)ST GDE PL	121
REF	REF	REF	REF	REF	1-21030-1 PIN,DOWEL(φ.187x.50)LEVER	120
REF	REF	REF	REF	REF	1-21030-6 PIN,DOWEL(φ.187x1.25)HOUSING	119
REF	REF	REF	REF	REF	21045-3 RING,RET "C"(φ.187)FD FING PIN	118
1	1	1	1	1	21024-5 WASHER, LOCK (#10)ADJ BLOCK	117
REF	REF	REF	REF	REF	21024-5 WASHER,LOCK(#10)ADJ PLATE	116
REF	REF	REF	REF	REF	21024-5 WASHER,LOCK(#10)FEED GDE ROD	115
2	2	2	2	2	21024-2 WASHER,LOCK(#4)FRONT STP GUIDE	114
REF	REF	REF	REF	REF	5-21028-1 PIN,SLT SPR(φ.125x.50)ADJ ROD	113
						112
4	4	4	4	4	21024-4 WASHER,LOCK(#8)STRIPPER	111
REF	REF	REF	REF	REF	21899-4 WASHER,FLAT(φ5/16)SCREW ADJ	110
						109
1	1	1	1	1	21018-5 NUT, HEX(NO.6)HOLDDOWN	108
REF	REF	REF	REF	REF	21068-5 NUT, HEX(6-32)FEED ADJ	107
						106
1	1	1	1	1	22353-8 SCR,SHLD(φ.187x.25)DRAG LEVER	105
						104
1	1	1	1	1	21009-2 SCR,SKT SET(1/4-20x.25 LW)RAM	103
2	2	2	2	2	21017-2 SCR,DRIVE(#2x.19)ID PLATE	102
REF	REF	REF	REF	REF	6-23715-5 SCR,PAN HD(6-32x1.50)FEED ADJ	101
1	1	1	1	1	461264-1 PLATE, IDENTIFICATION	100
2	2	2	2	2	5-21006-6 SCR,SET(10-32x.75)DRAG	99
1	1	1	1	1	22733-8 SCR,BHC(8-32x.38 LW)ANVIL	98
REF	REF	REF	REF	REF	2-21002-9 SCR,BHC(10-32x.75)CAP	97
REF	REF	REF	REF	REF	2-22733-8 SCR,BHC(1/4-20x.62)HOUSING	96
REF	REF	REF	REF	REF	2-21002-7 SCR,BHC(10-32x.50)SG ADJ BLOCK	95
4	4	4	4	4	2-21002-2 SCR,BHC(8-32x.50)TERM H DWN	94
2	2	2	2	2	2-21002-3 SCR,BHC(8-32x.62)R STP GDE	93
						92
1	1	1	1	1	1-21002-7 SCR,BHC(6-32x.38)CAM	91
						90
						89
						88
2	2	2	2	2	3-21000-0 SCR,SHC(8-32x.44)DEP-HOLD	87
1	1	1	1	1	2-22603-0 SCR,HEX HD(8-32x.31)FEED FINGER	86
2	2	2	2	2	1-21000-3 SCR,SHC(4-40x.25)F ST GUIDE	85
1	1	1	1	1	2-21000-7 SCR,SHC(8-32x.50)STRIPPER	84
REF	REF	REF	REF	REF	3-21000-7 SCR,SHC(10-32x.75)FEED ROD GD	83
REF	REF	REF	REF	REF	3-21000-6 SCR,SHC(10-32x.62)FD ADJ BLK	82
1	1	1	1	1	3-21000-4 SCR,SHC(10-32x.38)SG ADJ BL	81
REF	REF	REF	REF	REF	3-21000-4 SCR,SHC(10-32x.38)PIVOT BLK	80
-	-	REF	-	-	455749-1 GUARD, WINDOW	79
-	REF	-	-	-	679532-1 INSERT, GUARD	78
						77
						76
						75
1	1	1	1	1	690603-1 SPRING, ASSIST	74
1	1	1	1	1	23030-1 SCR,SHC(6-32x.25 SL)INS DISC	73
REF	REF	REF	REF	REF	458109-1 WASHER, SPECIAL	72
REF	REF	REF	REF	REF	690517-1 SPACER	71
-77	-6	-3	-2	-1	PART NO	DESCRIPTION
						ITEM NO

QTY	REF	REF	REF	REF	DESCRIPTION	ITEM NO
1	1	1	1	1	22594-8 NUT,HEX(1/2-20)	70
REF	REF	REF	REF	REF	240628-1 PLATE, ADJUSTMENT	69
REF	REF	REF	REF	REF	240626-1 SHAFT, PIVOT	68
REF	REF	REF	REF	REF	240633-1 BUSHING	67
REF	REF	REF	REF	REF	455680-1 LEVER, INTERMEDIATE	66
REF	REF	REF	REF	REF	240629-1 BLOCK, PIVOT	65
REF	REF	REF	REF	REF	240632-2 SCREW, ADJ FEED ROD	64
REF	REF	REF	REF	REF	240659-3 PIN, CAM ROLLER	63
REF	REF	REF	REF	REF	240658-1 ROLLER, CAM	62
REF	REF	REF	REF	REF	454398-2 ROD, FEED	61
REF	REF	REF	REF	REF	454178-1 GUIDE, FEED ROD	60
REF	REF	REF	REF	REF	454220-1 CAP, RAM	59
REF	REF	REF	REF	REF	454485-1 HOUSING	58
						57
1	1	1	1	1	458537-2 PAWL, FEED	56
REF	REF	REF	REF	REF	240624-1 PIN, FEED FINGER	55
REF	REF	REF	REF	REF	691499-1 SPRING, FEED FINGER	54
REF	REF	REF	REF	REF	690541-1 HOLDER, FEED FINGER	53
REF	REF	REF	REF	REF	455679-2 LEVER, TERMINAL FEED ARM	52
1	1	1	1	1	811242-2 BUMPER, HOLDDOWN	51
1	1	1	1	1	690753-1 SPACER, TONKER	50
-	-	-	-	-	690602-6 CAM, PRE-FEED 1 5/8 ST	49
-	-	-	-	-	690602-5 CAM, PRE-FEED 1 1/8 ST	48
1	-	-	-	1	690501-4 CAM, POST-FEED 1 5/8 ST	47
1	1	1	1	1	459456-2 APPLICATOR, BASIC (SUBASSY)	46
1	1	1	1	1	690191-1 PLUG, NYLON	45
1	1	1	1	1	455673-1 RAM	44
1	1	1	1	1	690125-1 WASHER, LAMINATED	43
1	1	1	1	1	690124-1 WASHER, RAM	42
1	1	1	1	1	7-21002-9 BOLT, CRIMPER(5/16x1.00)	41
1	1	1	1	1	23241-6 BALL, STEEL	40
1	1	1	1	1	690170-1 SPRING, COMPRESSION	39
1	1	1	1	1	690142-1 DISC, INSULATION	38
1	1	1	1	1	354777-1 WIRE DISC, PLASTIC	37
1	1	1	1	1	22480-5 WASHER, SPRING	36
1	1	1	1	1	690212-1 POST, RAM	35
1	1	1	1	1	1-690786-4 SUPPORT, TERMINAL	34
REF	REF	REF	REF	REF	455675-1 PLATE, BASE	33
1	1	1	1	1	690432-3 SCREW, ADJUSTMENT	32
1	1	1	1	1	5-240641-7 SPACER, SLUG BLADE	31
REF	REF	REF	REF	REF	455689-1 BLOCK, STRIP GUIDE ADJ	30
1	1	1	1	1	458144-1 PLATE, STRIP GUIDE	29
1	1	1	1	1	1-455888-9 SPACER, FRONT SHEAR DEP	28
2	2	2	2	2	1-22284-0 SPRING, DRAG	27
1	1	1	1	1	356835-1 LEVER, DRAG RELEASE	26
1	1	1	1	1	240792-1 DRAG, TERMINAL	25
1	1	1	1	1	3-90765-8 GUIDE, STRIP (REAR)	24
1	1	1	1	1	690438-1 GUIDE, STRIP (FRONT)	23
1	-	-	-	1	690472-2 STRIPPER	22
REF	REF	REF	REF	REF	4-22284-9 SPRING, FEED RETURN	21
						20
-	-	1	1	-	691353-1 STRIPPER	19
						18
1	1	1	1	1	679625-1 HOLDER, SHEAR, FRONT (NON-CUT)	17
1	1	1	1	1	318563-1 GUARD, CHIP, FRONT	16
						15
						14
						13
1	1	1	1	1	3-22280-3 SPRING, SHEAR	12
1	1	1	1	1	690461-1 STOP, SHEAR	11
1	1	1	1	1	690459-1 HOLDER, SHEAR (FRONT)	10
1	1	1	1	1	454276-2 SHEAR, FLOAT (FRONT)	9
1	1	1	1	1	1-662190-4 ANVIL	8
						7
						6
1	1	1	1	1	1-455889-4 DEPRESSOR, SHEAR (FRONT)	5
1	1	1	1	1	238011-2 SPACER, BLOCK CRIMPER	4
1	1	1	1	1	456135-6 CRIMPER, INSULATION	3
1	1	1	1	1	455888-6 SPACER, CRIMPER	2
1	1	1	1	1	2-456409-1 CRIMPER, WIRE	1
-77	-6	-3	-2	-1	PART NO	DESCRIPTION
						ITEM NO

THIS DRAWING IS UNPUBLISHED. RELEASED FOR PUBLICATION BY AMP INCORPORATED. ALL RIGHTS RESERVED. © COPYRIGHT 2001.

LOC A DIST 66

AMP 1756 REV 3-92 15-MAY-06 11:18:03 us014442

LEADMAKER & BENCH MACHINE

REVISION RECORD

REV	DATE	DESCRIPTION
C	ECR-06-011271	
B	EC 0150-1572-02	
A	PRODUCT RELEASE	

REMOVE BURRS, BREAK SHARP EDGES R.015 MAX

AMP Incorporated Harrisburg, PA 17105-3608

NAME: SIDE FEED HDM APPLICATOR MACHINE REF: MINI APPL

SCALE: 1:1 DWG NO: 1385315 SHEET 1 OF 1 REV C

CASE CODE: 00779 CUSTOMER AND ASSEMBLY DRAWING